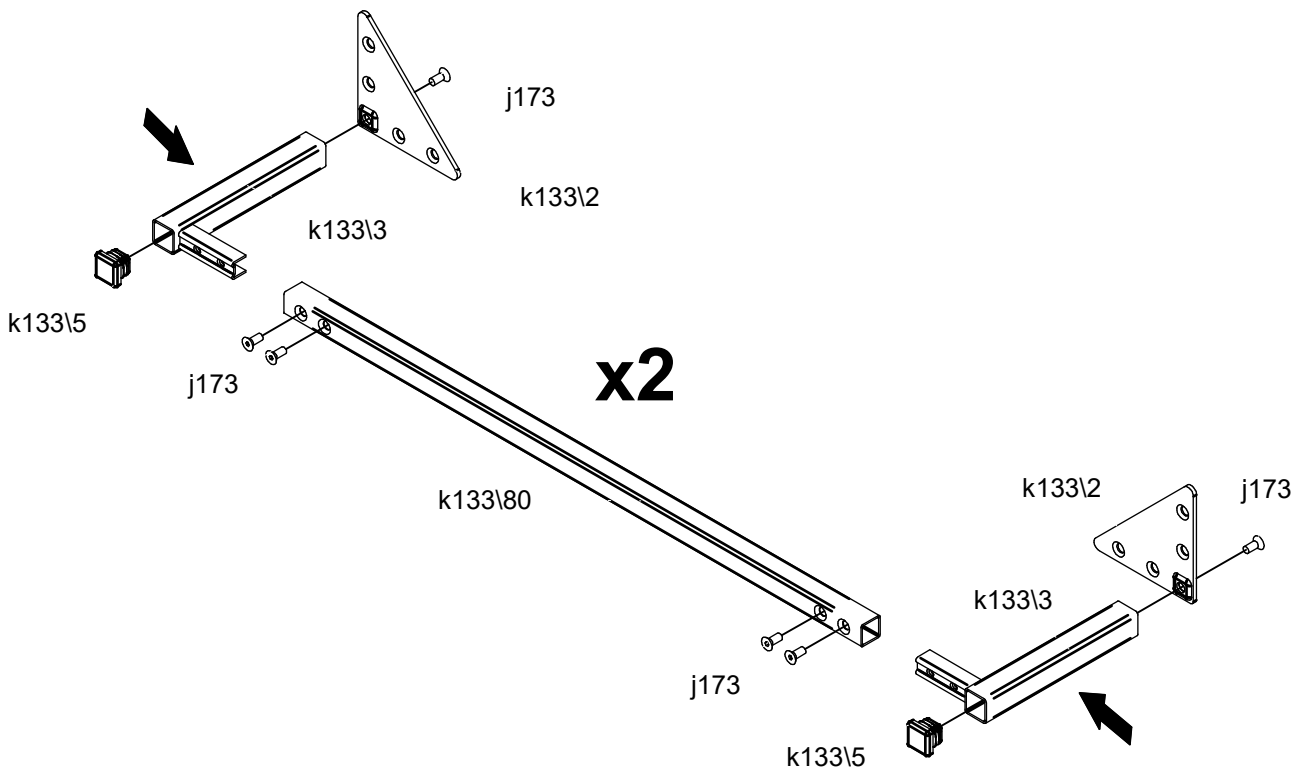
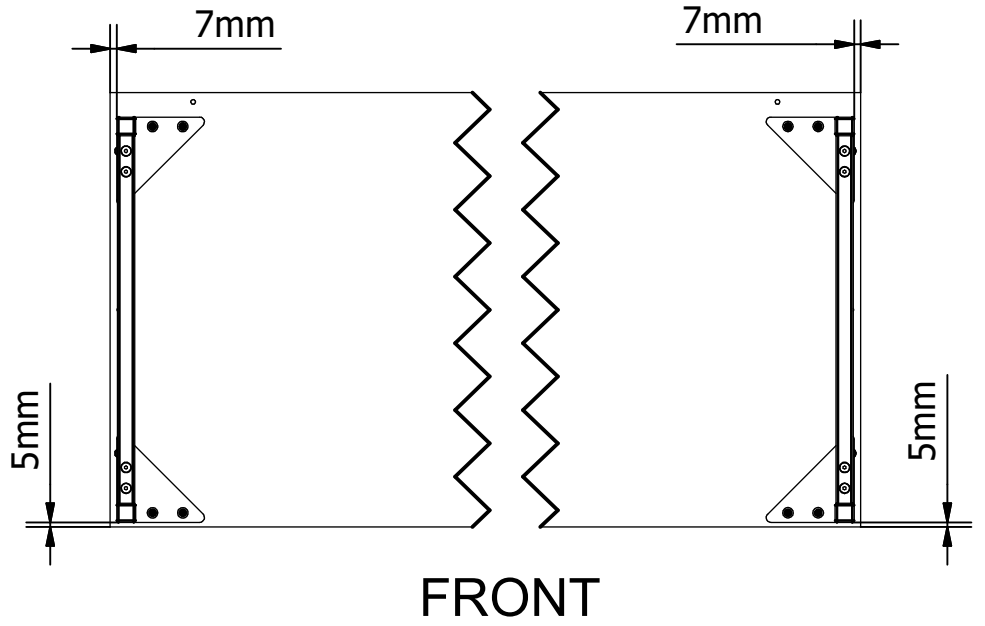


1x k1651	2x k133180	4x k13315	4x k13313	4x k13312	12x j173	20x p19	1x z22
-----------------	-------------------	------------------	------------------	------------------	-----------------	----------------	---------------

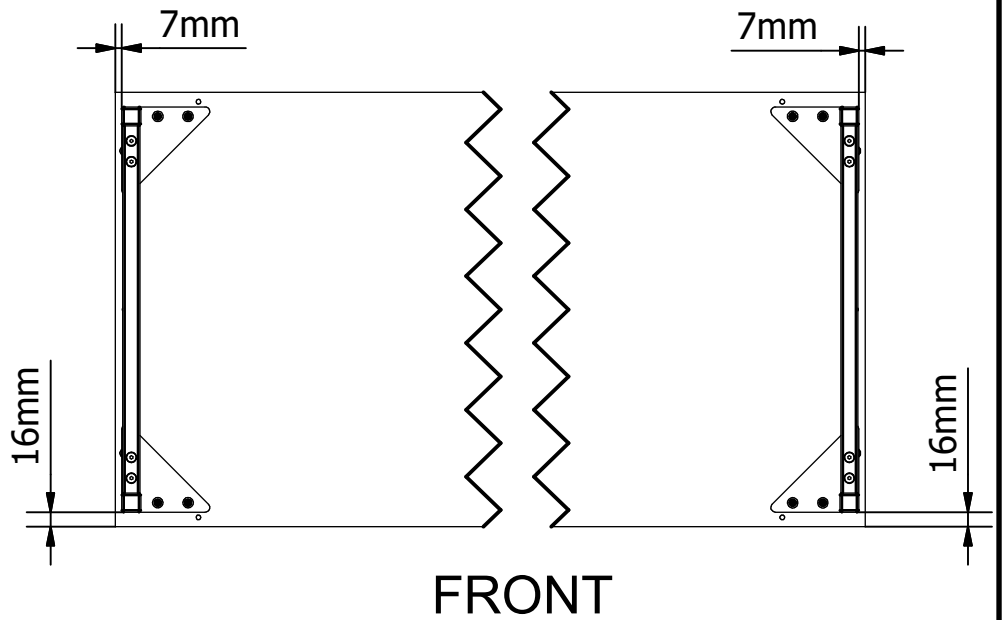
1



2A



2B



3

