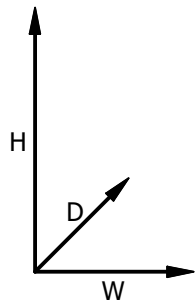
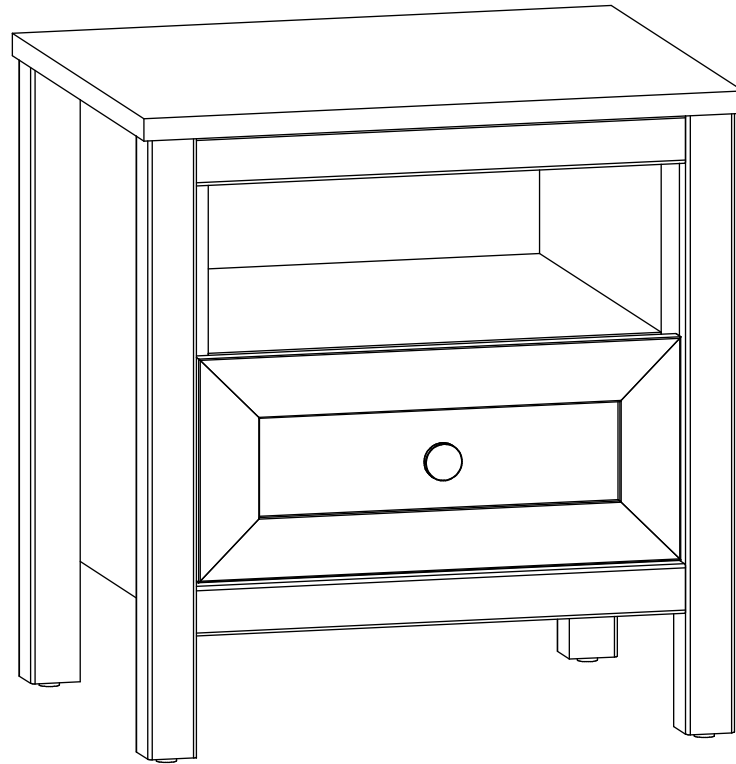
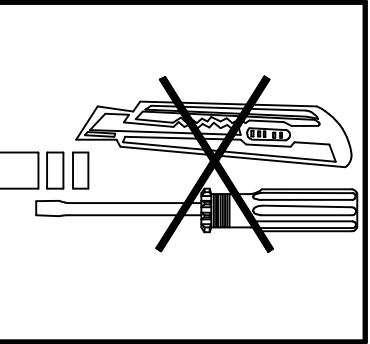
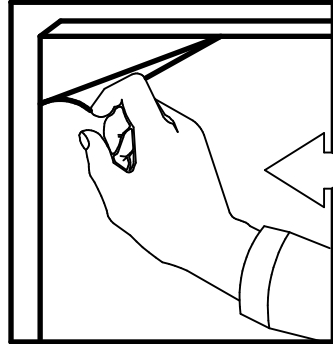
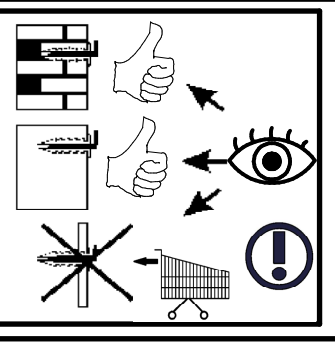
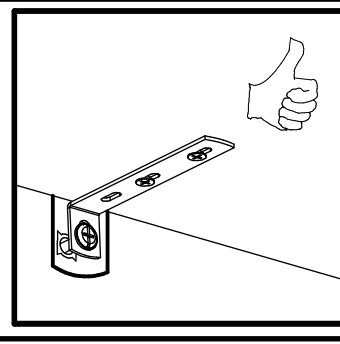
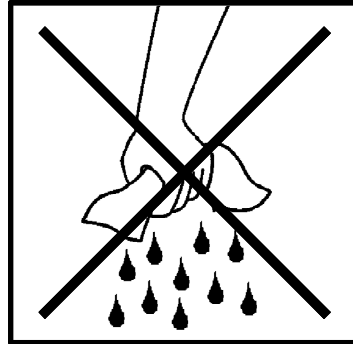
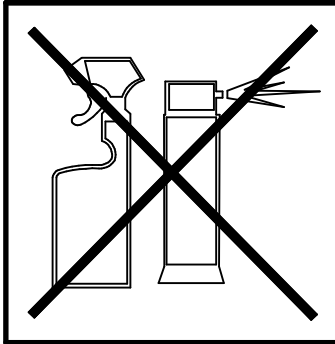
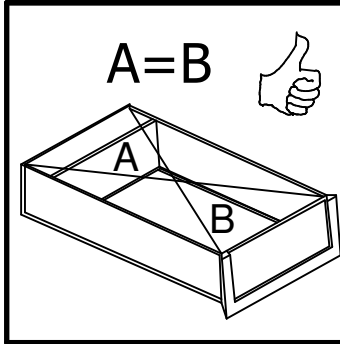
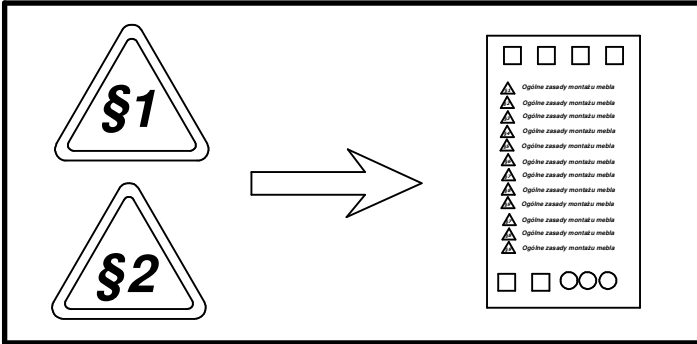
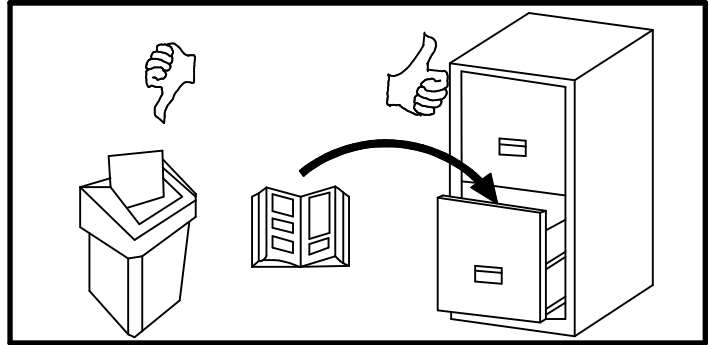
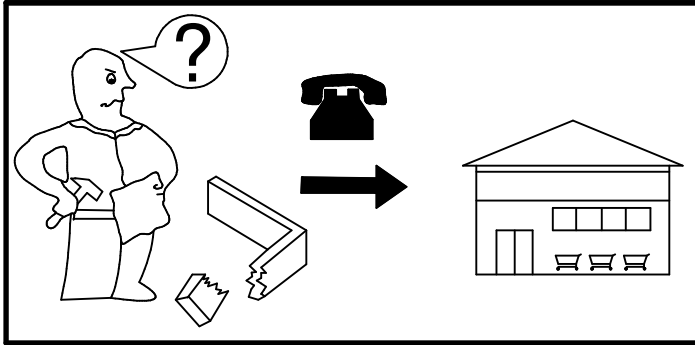
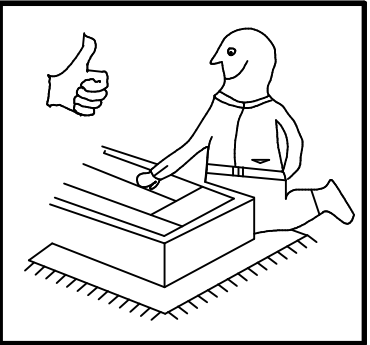
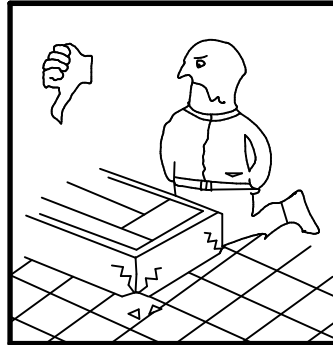
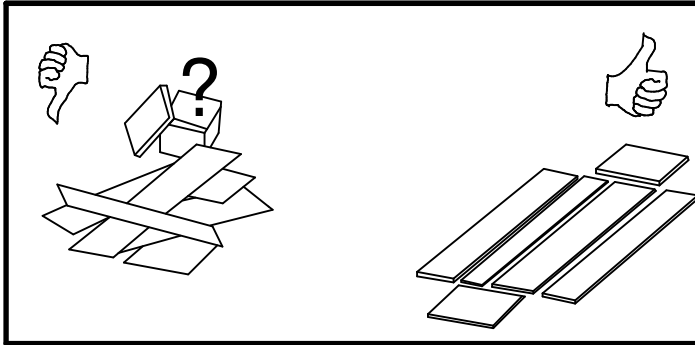
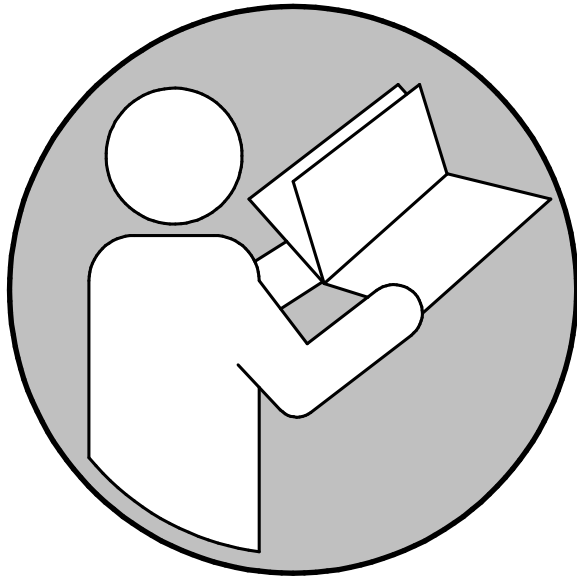


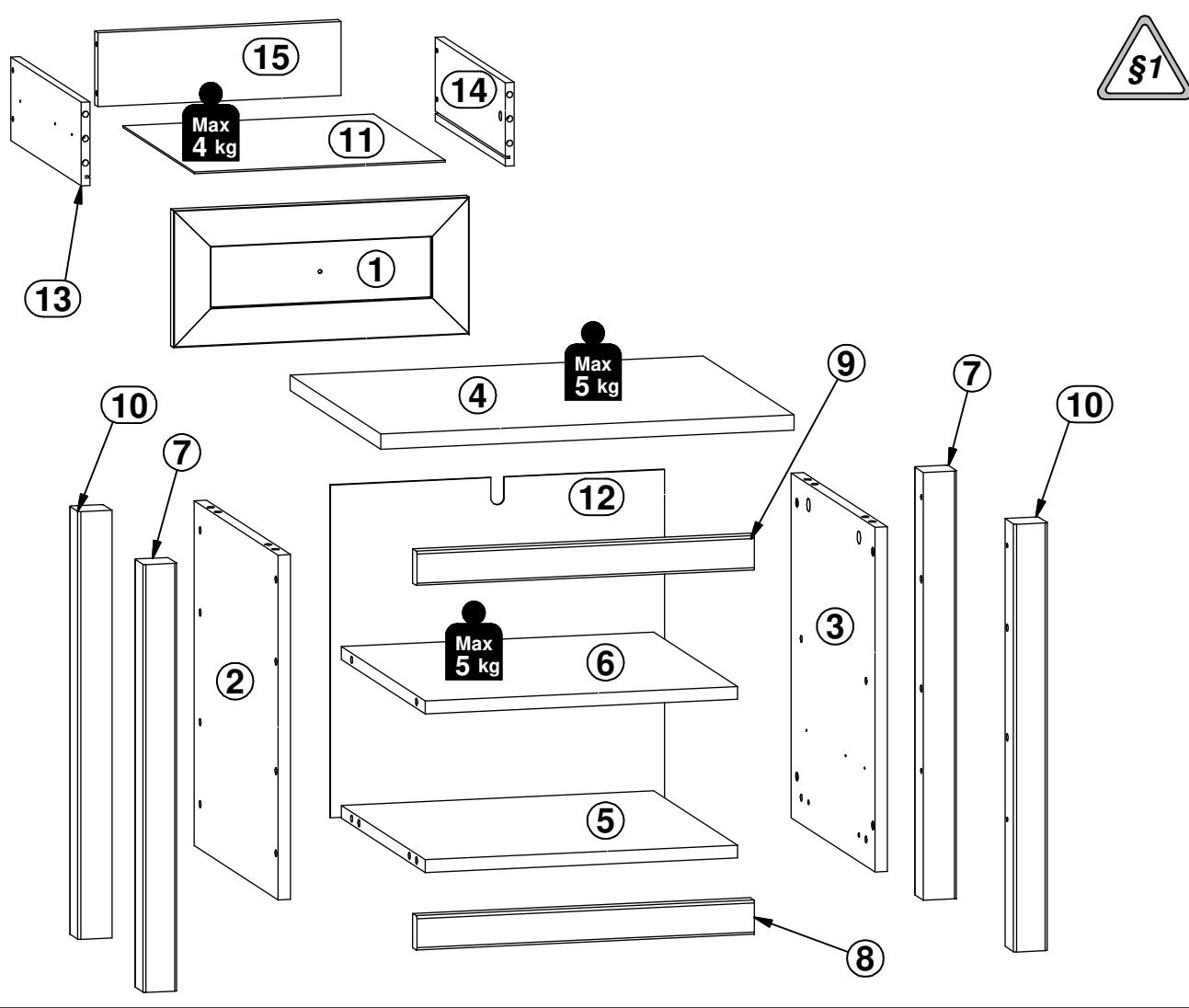
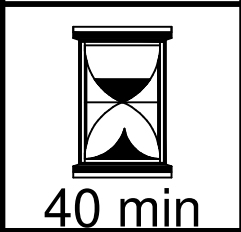
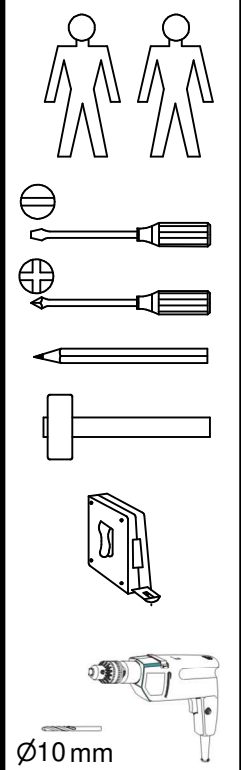
SALGA

S615-KOM1S

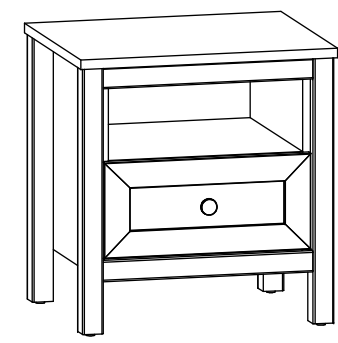


H - 523 mm
W - 492 mm
D - 404 mm



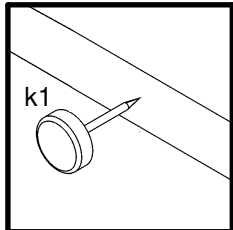
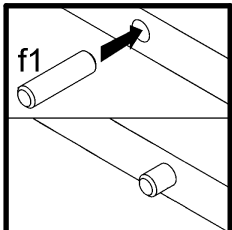
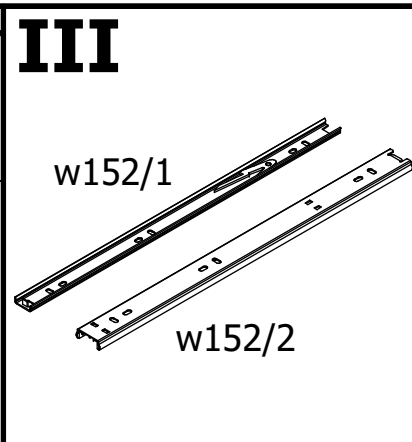
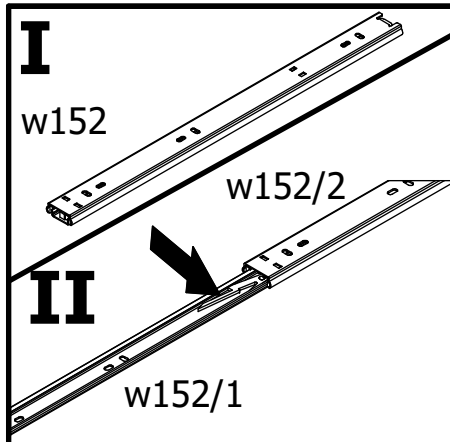
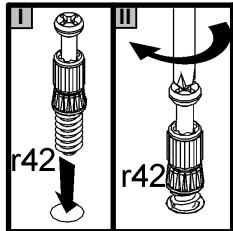
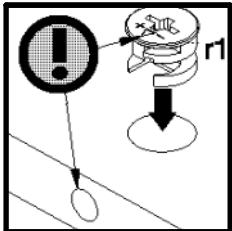
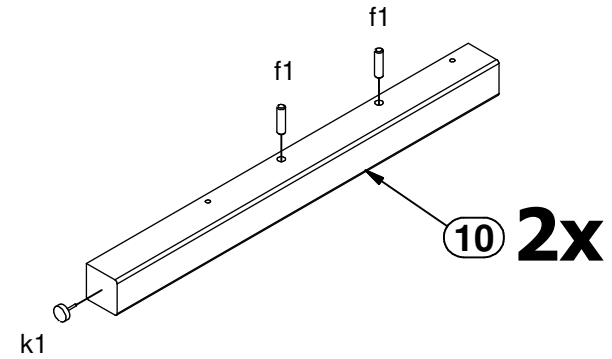
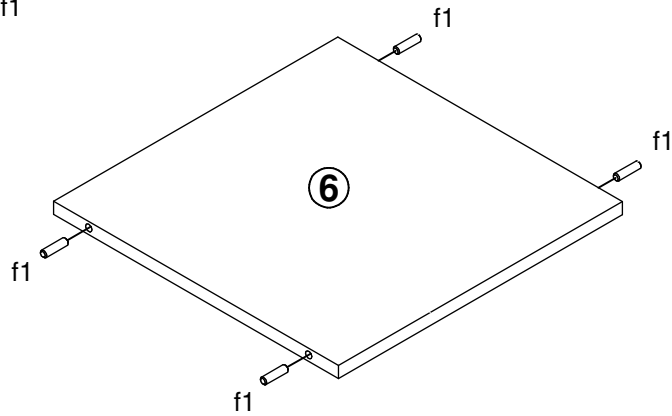
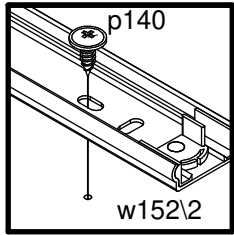
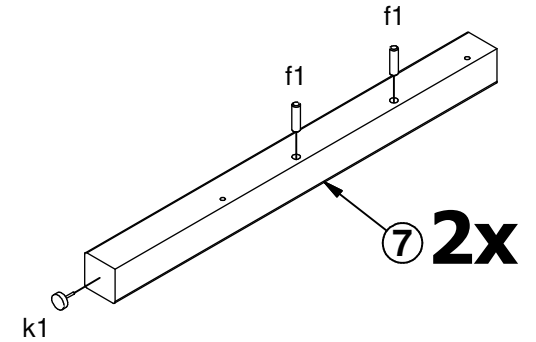
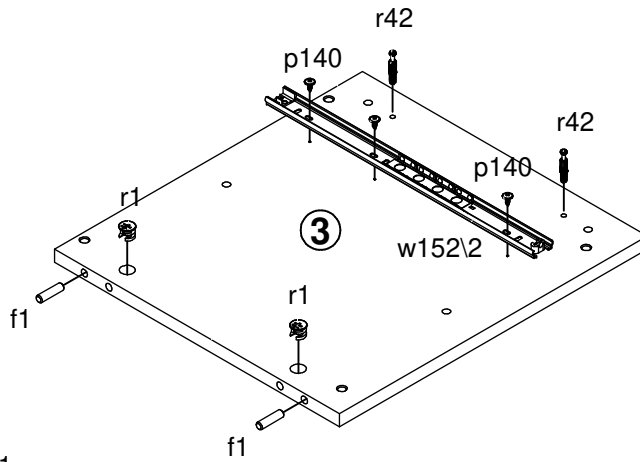
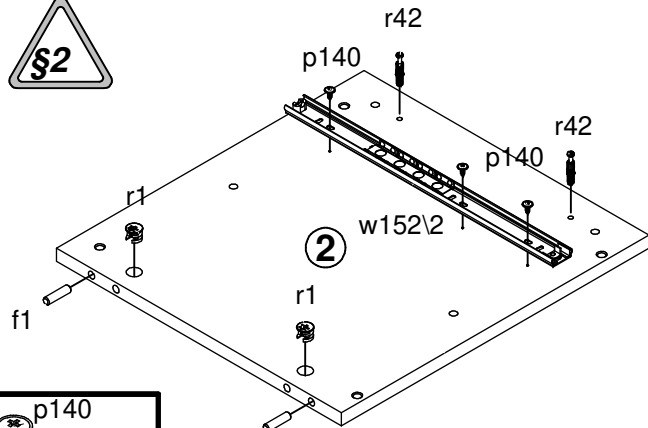


A	B	C (mm)			D
1	S615-0001	396	180	16	1/1
2	S615-1003	403	373	15	1/1
3	S615-1004	403	373	15	1/1
4	S615-2001	492	404	18	1/1
5	S615-3001	372	373	15	1/1
6	S615-3002	372	373	15	1/1
7	S615-5008	500	40	40	1/1
8	S615-5010	402	40	19	1/1
9	S615-5011	402	40	19	1/1
10	S615-5012	500	40	40	1/1
11	S615-9004	336	357	2,5	1/1
12	S615-9005	389	398	2,5	1/1
13	WSK2-5005	350	110	12	1/1
14	WSK2-5006	350	110	12	1/1
15	STK-5005	326	97	15	1/1



1x c601	4x d41 2	8x e11	24x f1	cm 0 1 2 3 4 5 6 7 8 9 10						4x f25	1x f35	1x j125	<table border="1"><tr><th>D</th></tr><tr><td>1/1</td></tr></table>	D	1/1
D															
1/1															
4x k1	20x l1	1x n14 2	2x o21	12x p140	1x p17	19x p38	2x p51	8x r1	2x r15	10x r42	2x s59	4x s68			
2x w152 1	2x w152 2	1x z1													

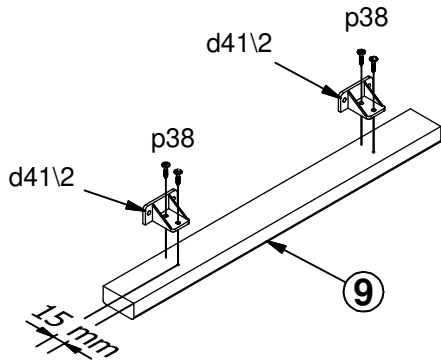
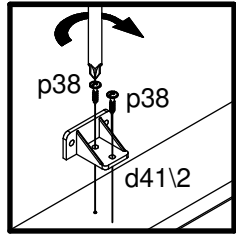
1 



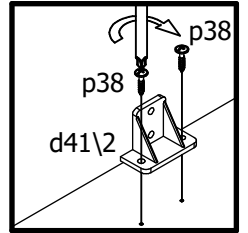
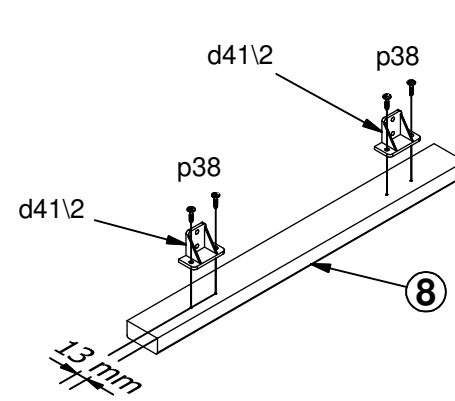
16x Ø8x30 mm f1	4x k1	6x Ø3.5x12 mm p140
4x Ø15x12 mm #16 r1	4x r42	2x 350x80 mm w152\2

2  

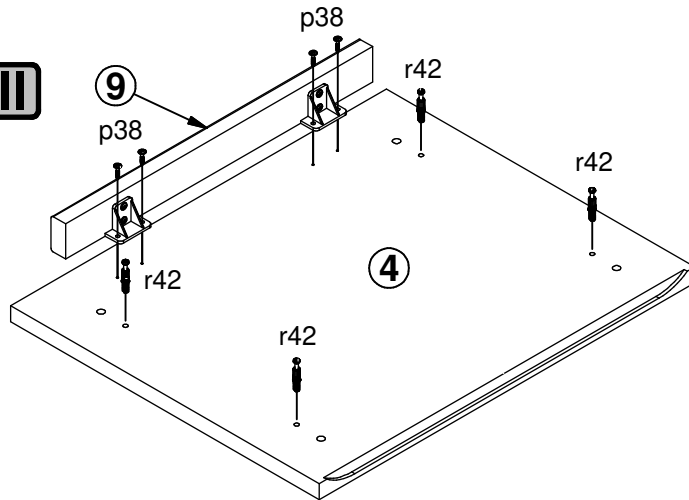
I



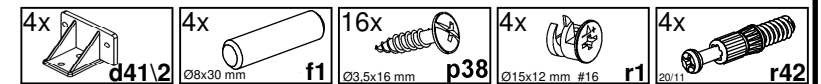
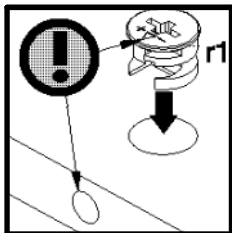
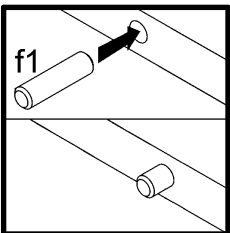
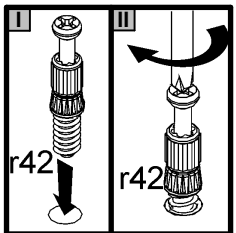
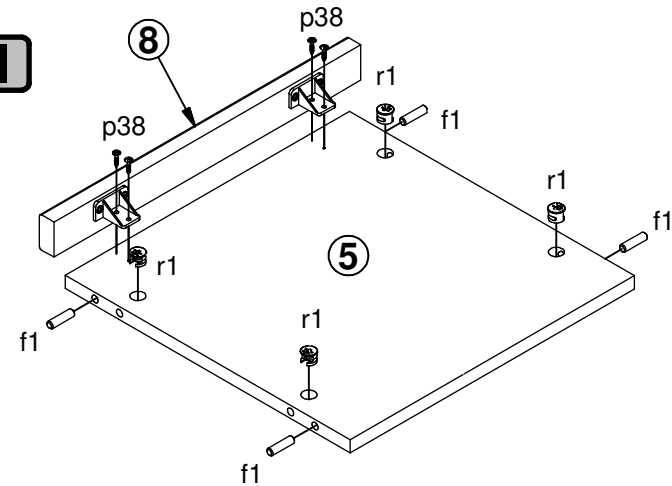
II



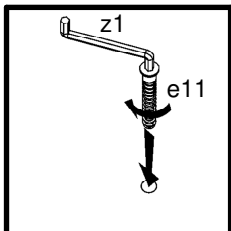
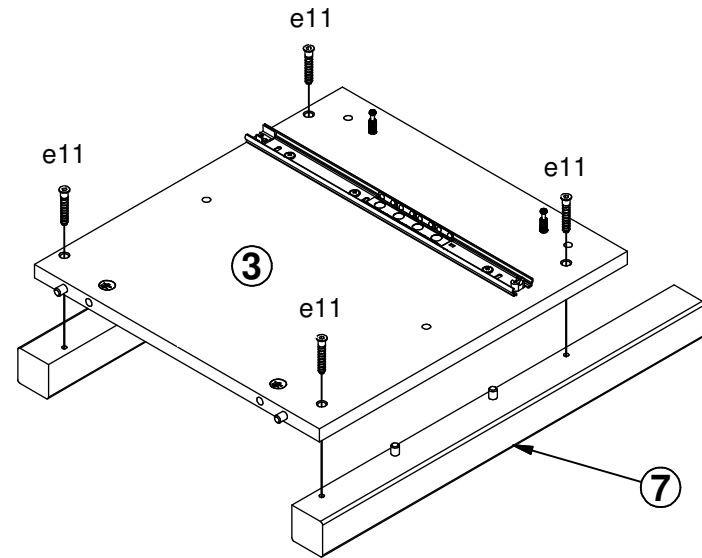
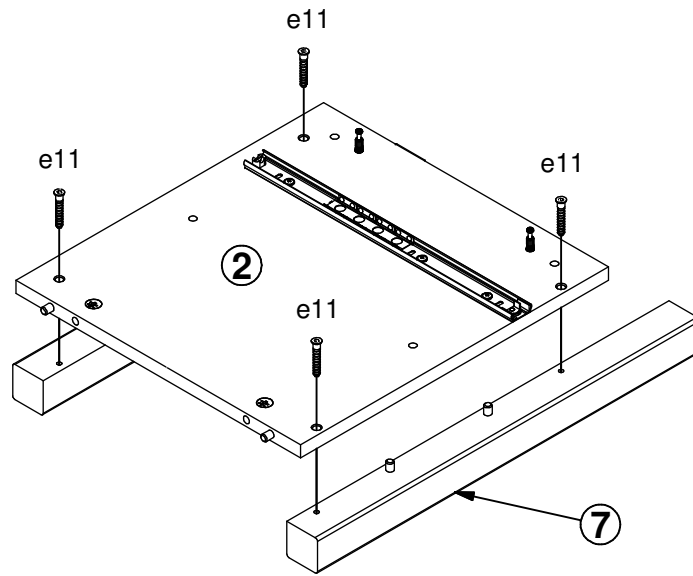
II





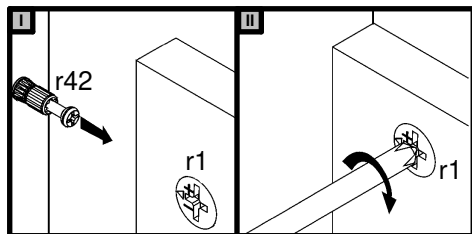
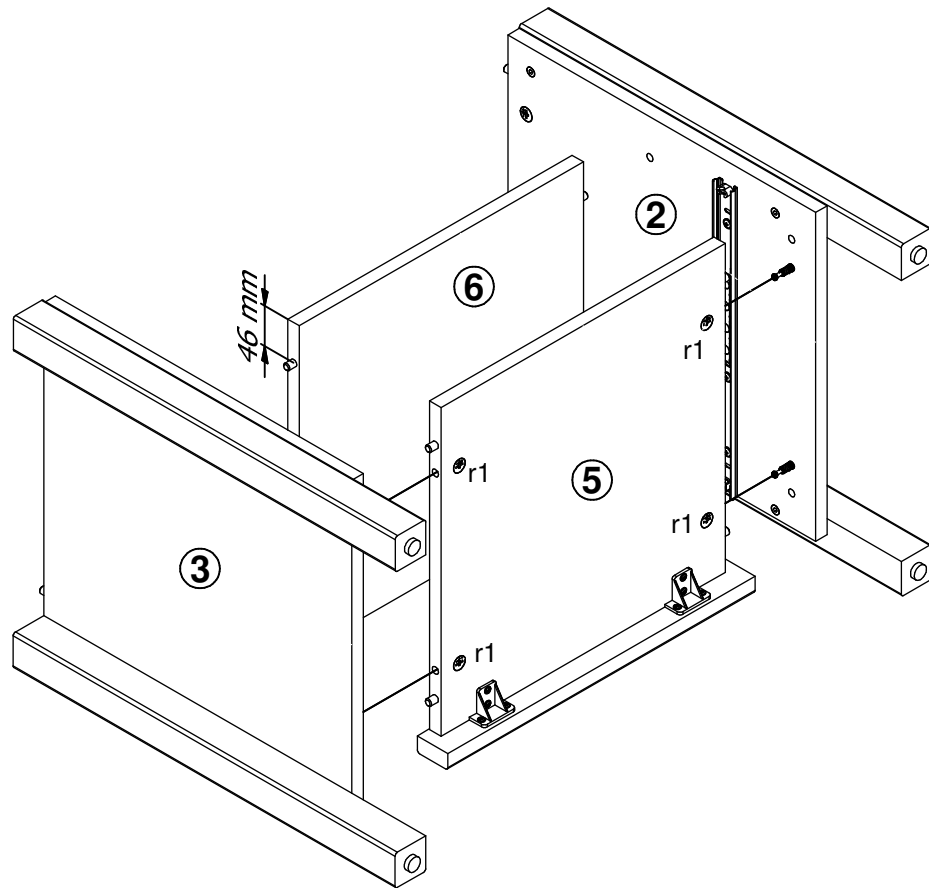
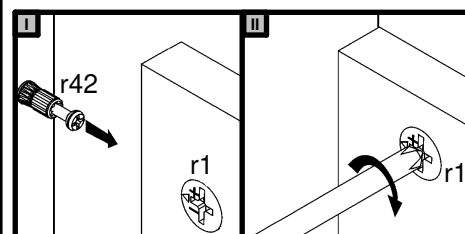
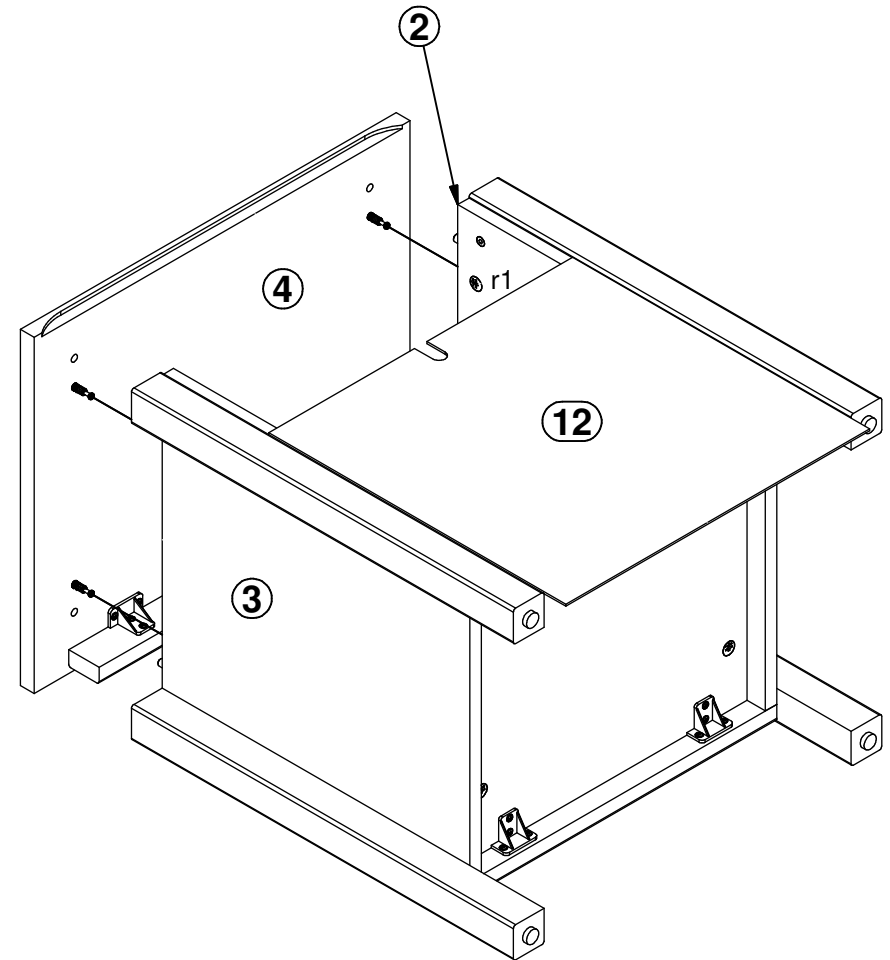
I



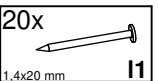
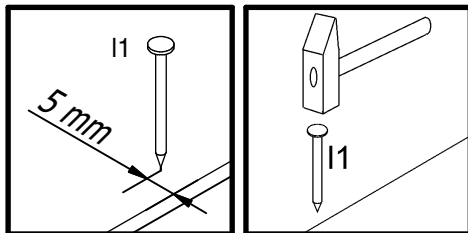
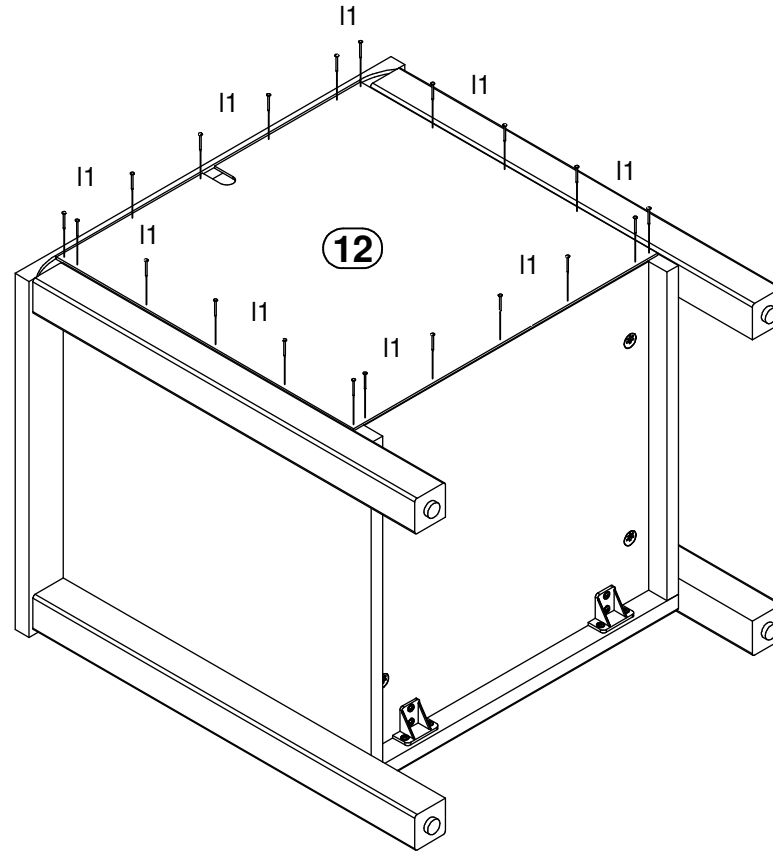
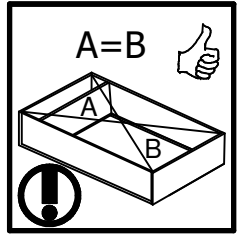
3 



8x  e11 Ø7x40 mm	1x  z1 4 mm
---	--

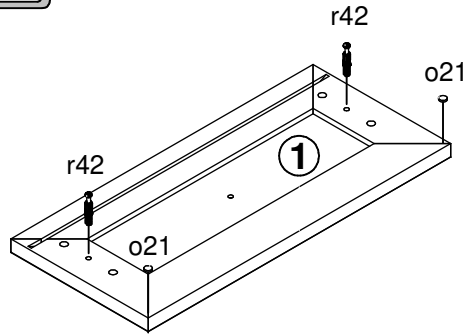
4  S6**5**  S6

6 

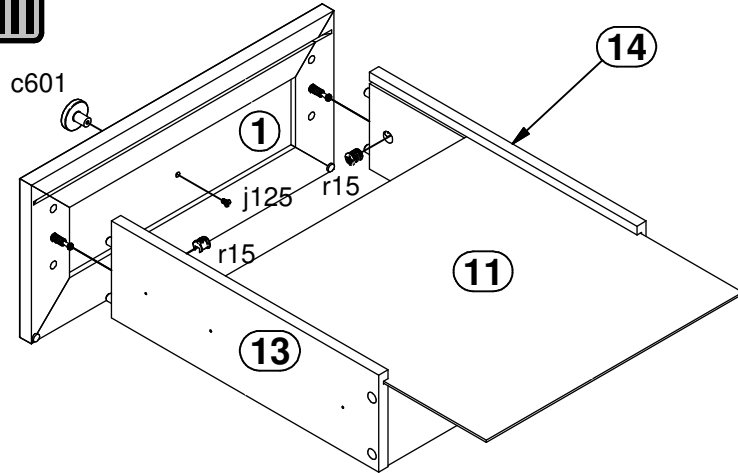


7  

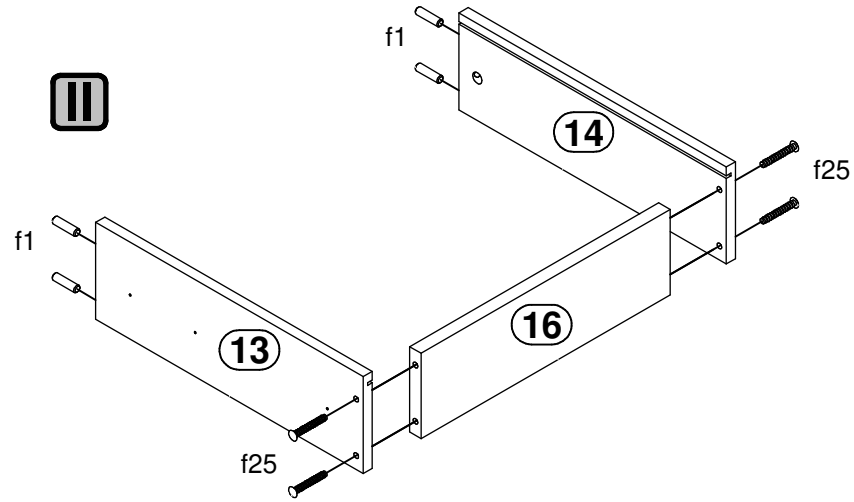
I



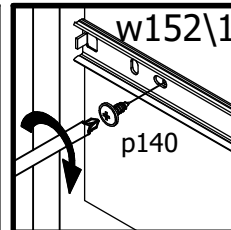
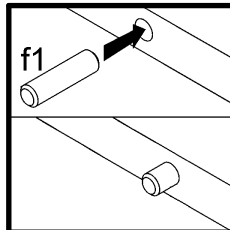
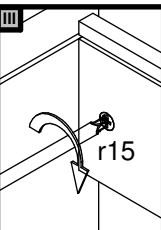
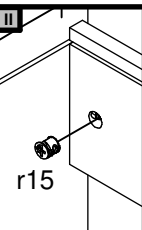
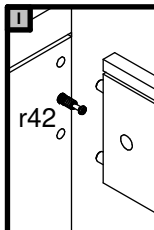
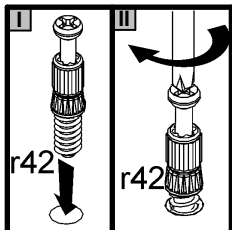
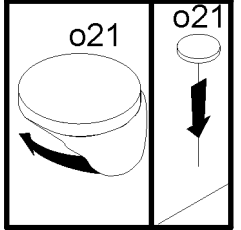
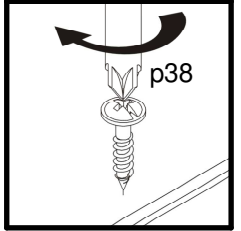
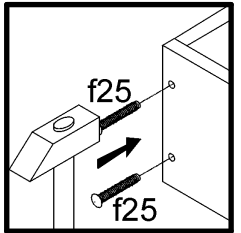
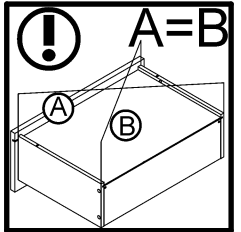
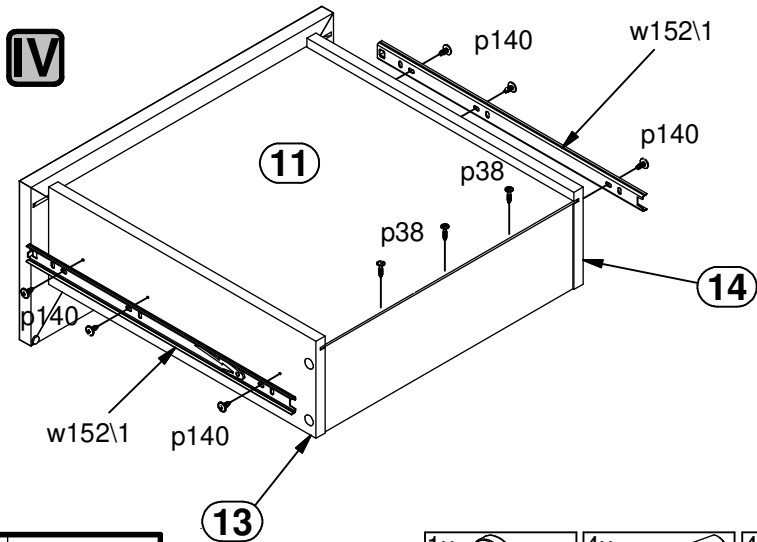
III

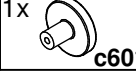
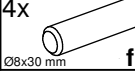
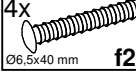
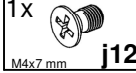



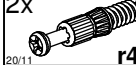




III

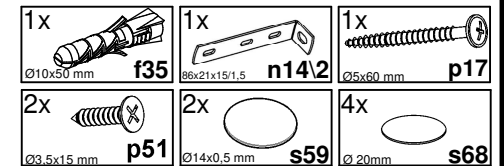
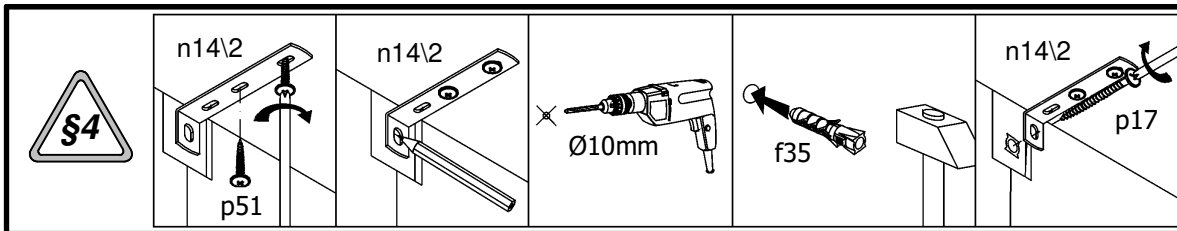
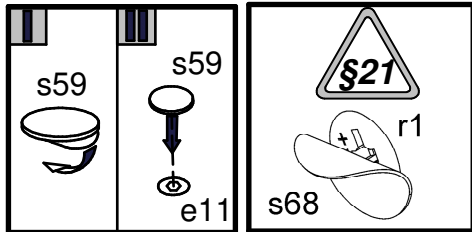
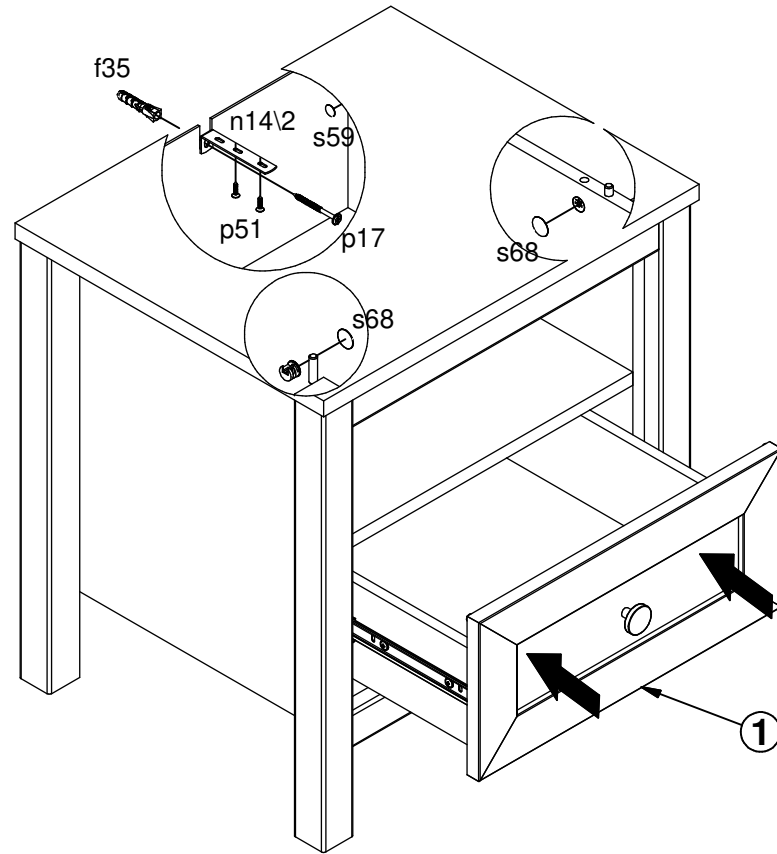


IV



1x  c601	4x  f1	4x  f25	1x  j125
3x  p38	6x  p140	2x  r15	2x  r42
2x  o21	2x  w152\1		

8 



9

