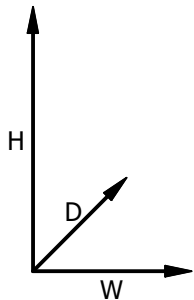
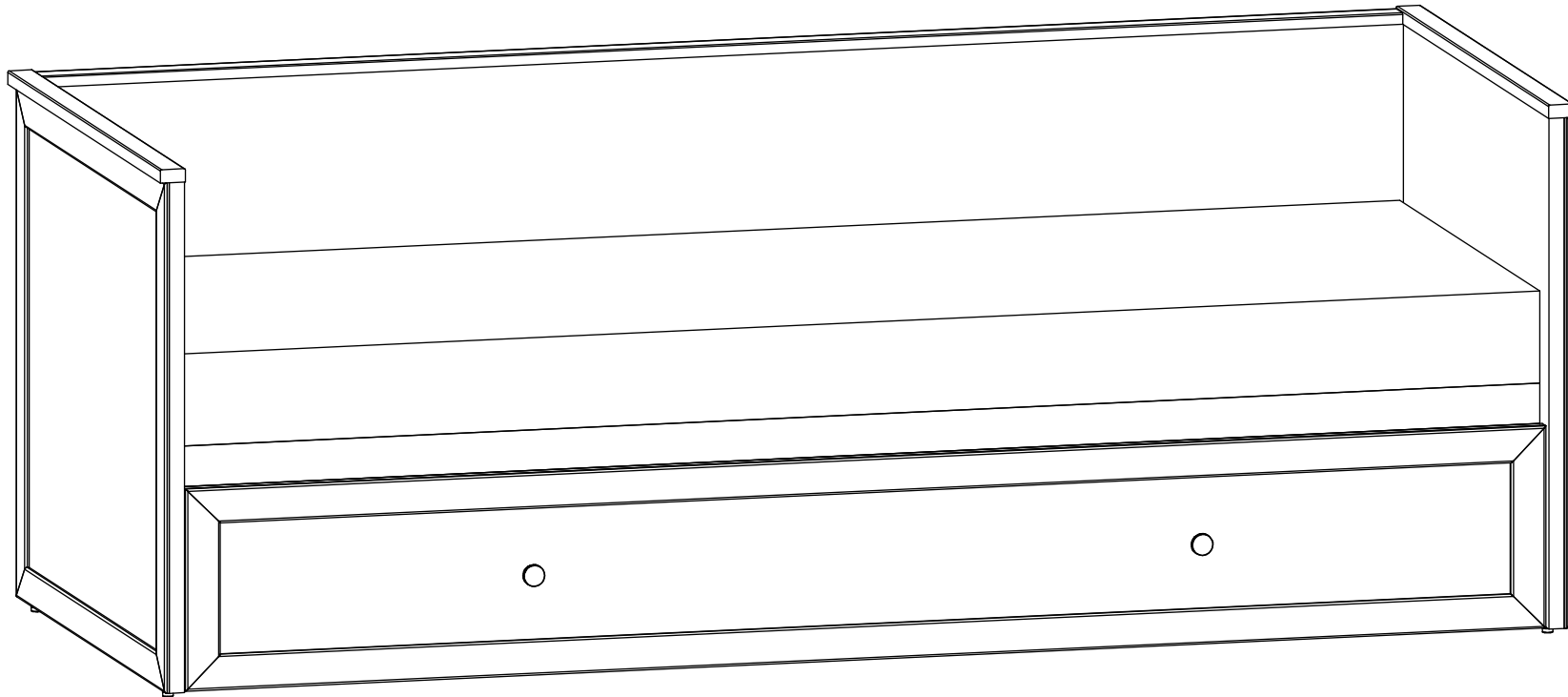
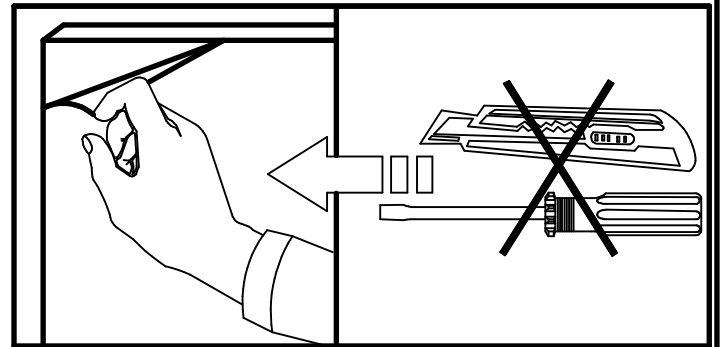
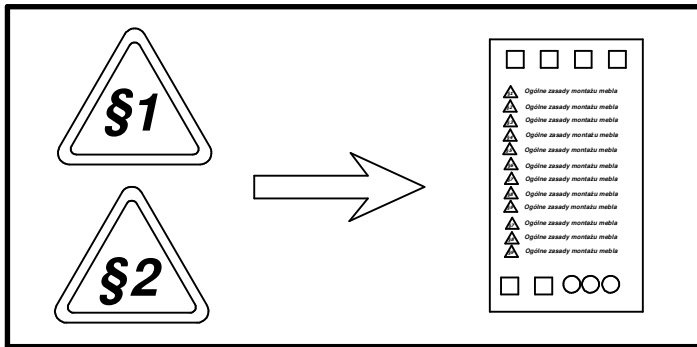
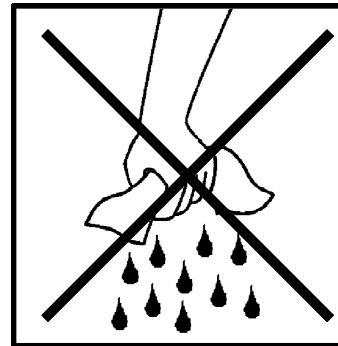
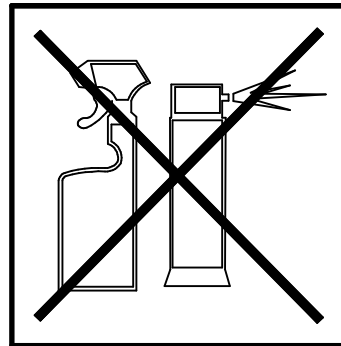
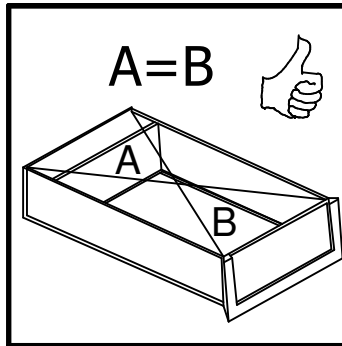
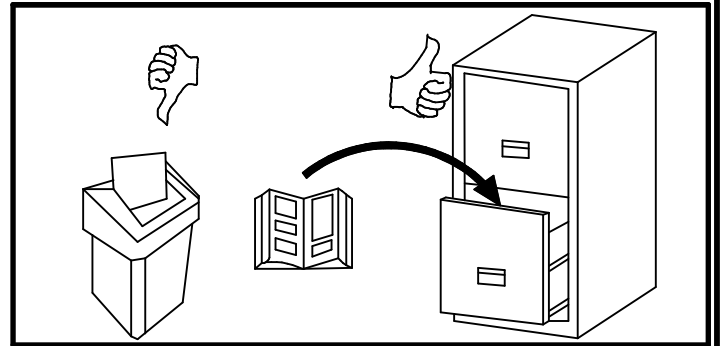
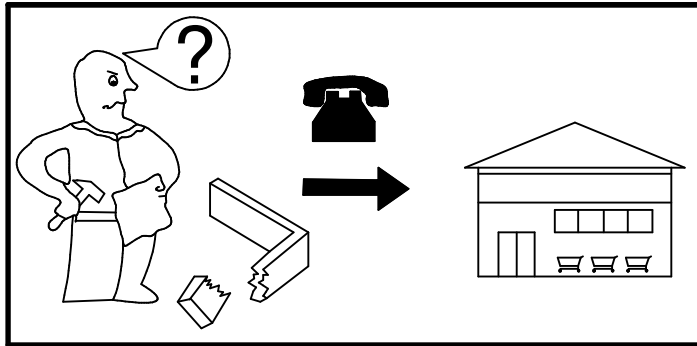
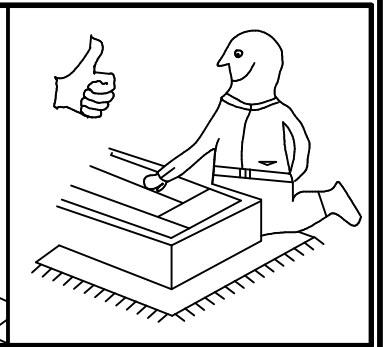
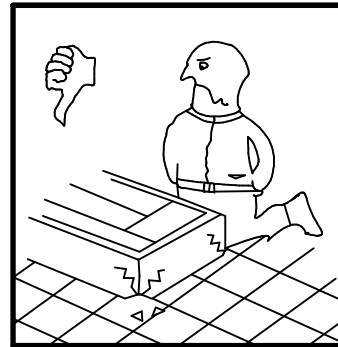
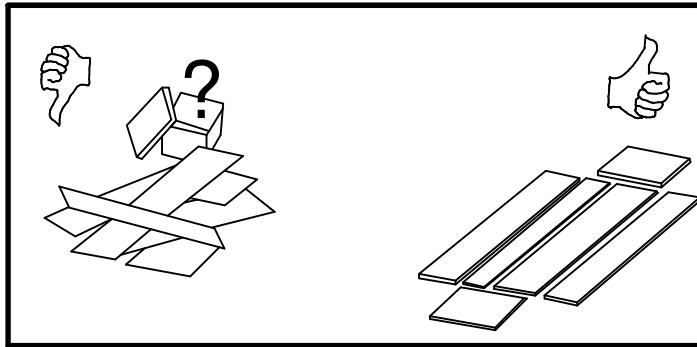
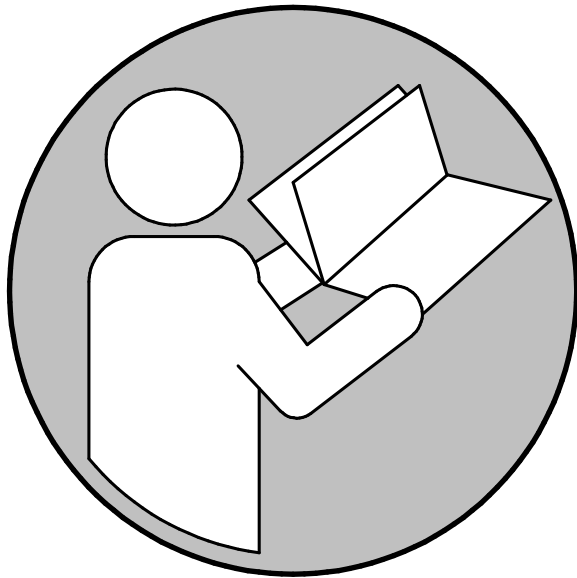


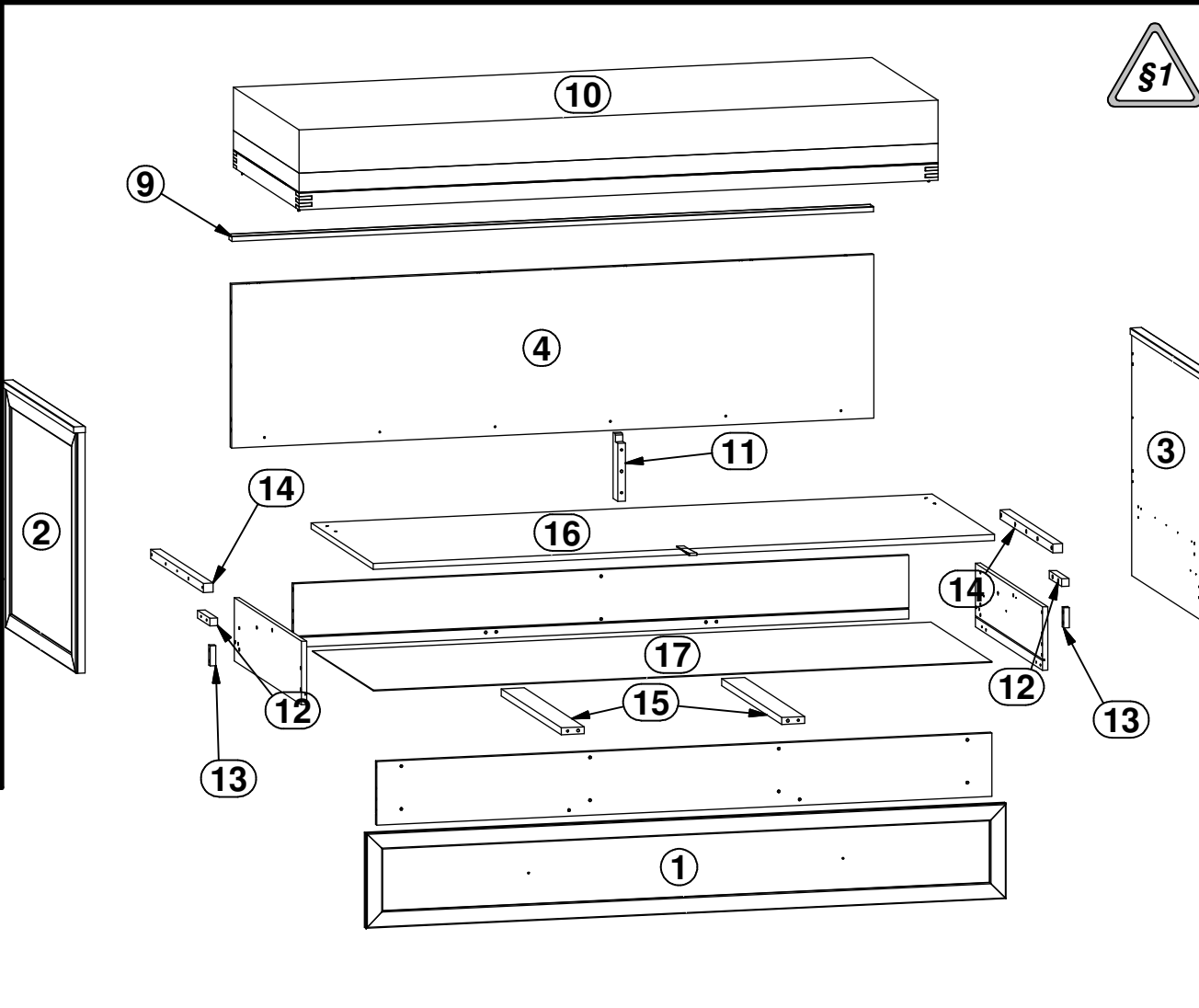
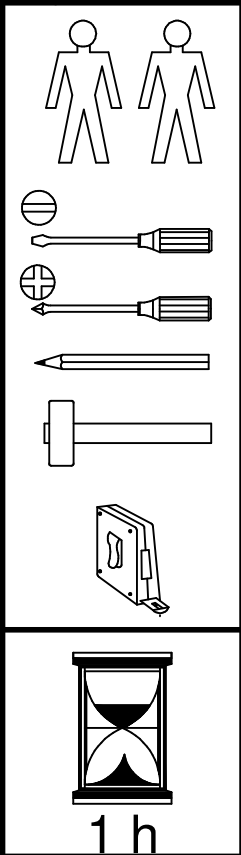
SALGA

S615-LOZ/80/160

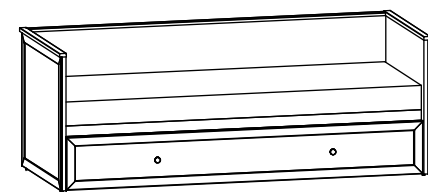


H - 752 mm
W - 2030 mm
D - 809 mm



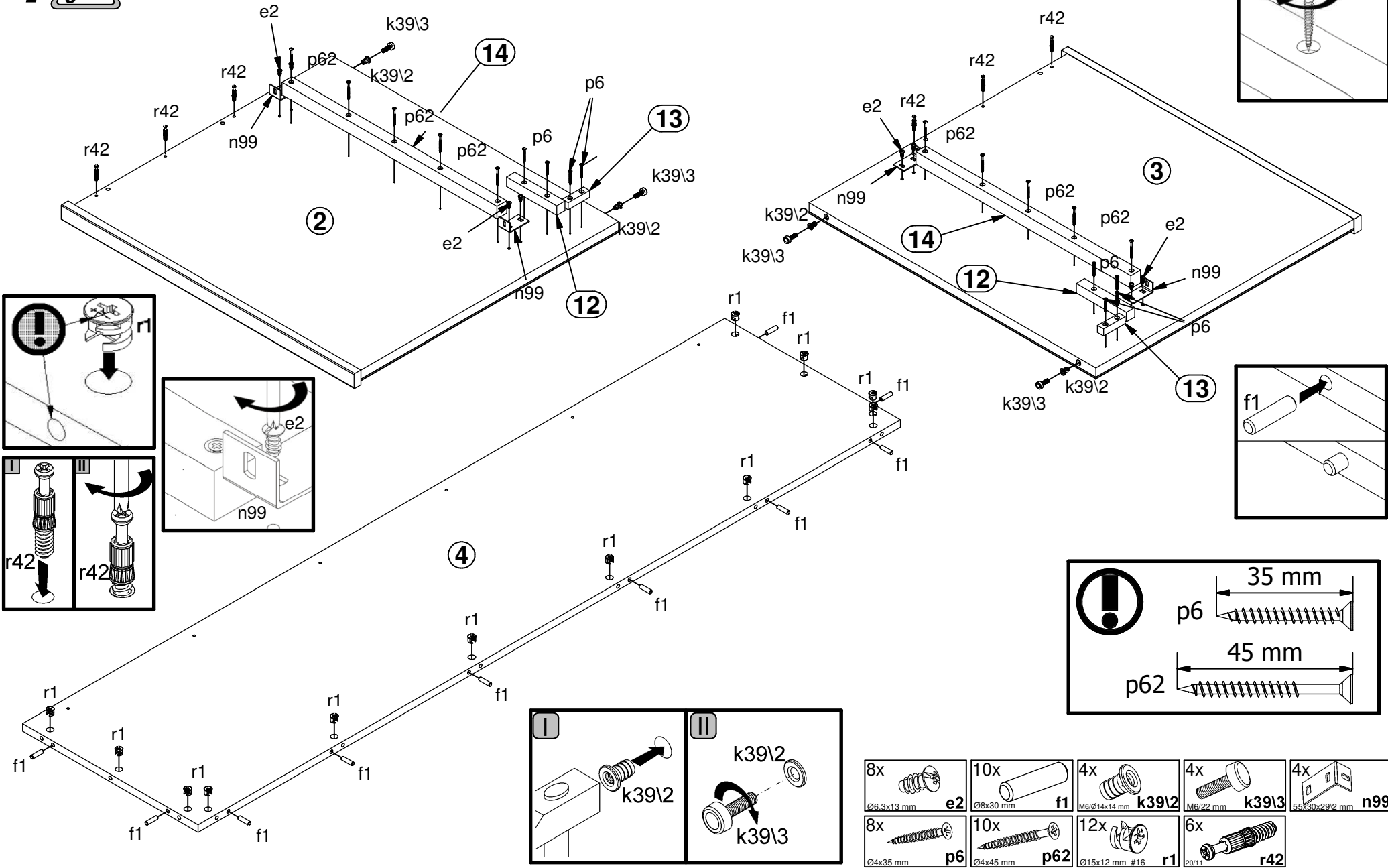


A	B	C (mm)			D
1	S615-0020	1954	285	22	3/4
2	S615-4024	817	739	36	1/4
3	S615-4025	817	739	36	1/4
4	S615-4026	1960	490	18	3/4
5	S615-4027	767	190	16	2/4
6	S615-4028	767	190	16	2/4
7	S615-4029	1878	190	16	2/4
8	S615-4030	1878	190	16	2/4
9	S615-5036	1958	36	16	3/4
10	ZZ1-401	1950	1500	130	1/1
11	ZZ1-402	198	52	23	2/4
12	ZZ1-403	140	23	23	2/4
13	ZZ1-405	60	17	17	2/4
14	ZZ1-406	600	27	30	2/4
15	ZZ1-407	684	70	21	2/4
16	ZZ1-408	1896	712	18	4/4
17	ZZ1-903	1888	694	2,5	4/4



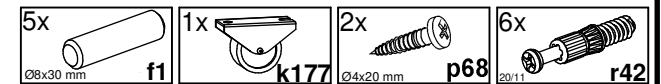
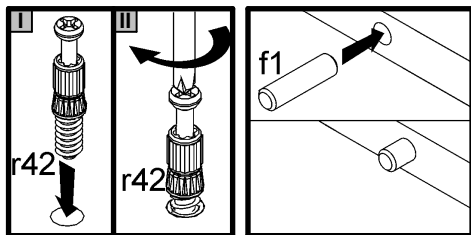
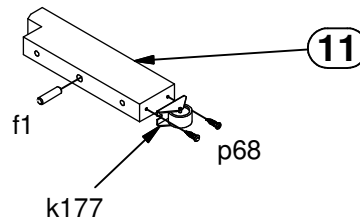
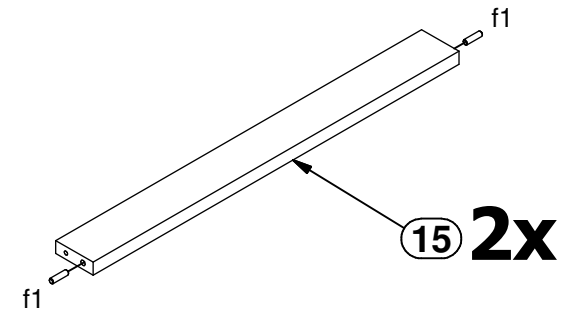
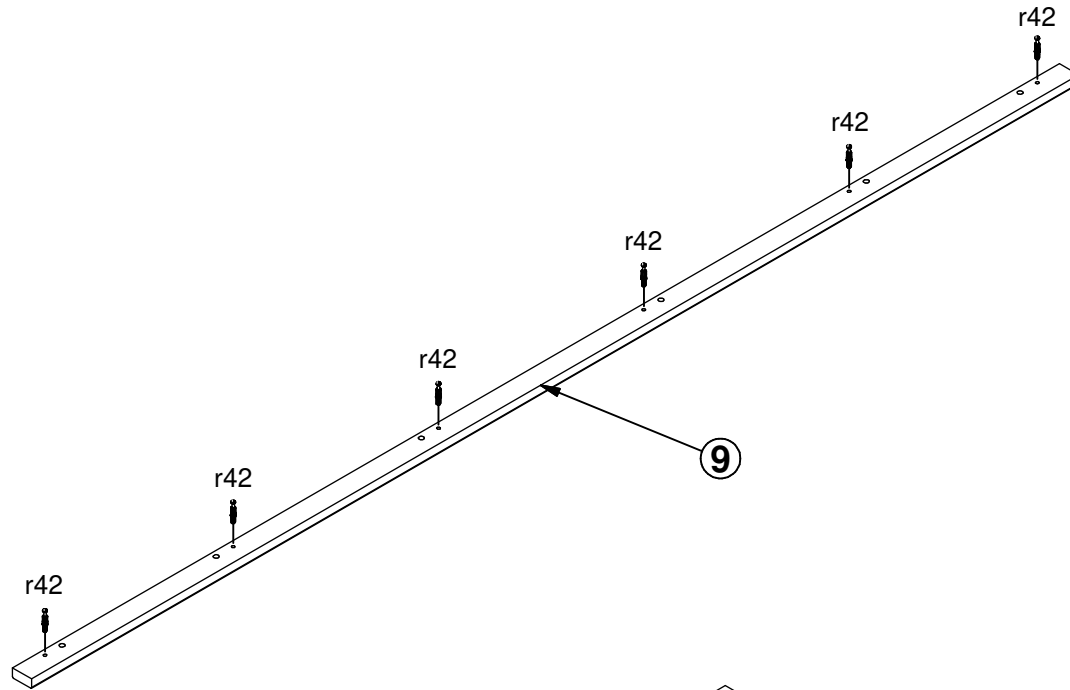
2x c601	14x e1 Ø7x50 mm	16x e2 Ø6,3x13 mm	8x e22 Ø7x28 mm	cm 0 1 2 3 4 5 6 7 8 9 10							23x f1 Ø8x30 mm	16x j10 M6	2x j60 M4x22 mm	<table border="1"><tr><th>D</th></tr><tr><td>1/4</td></tr></table>	D	1/4
D																
1/4																
4x j9 M6x30 mm	8x j96 M6x27 mm	1x k177	4x k3912 M6/Ø14x14 mm	4x k3913 M6/22 mm	4x k44 Ø35 mm	2x m281	1x m281L	1x m281P	2x n100 55x30x20/2	4x n99 55x30x29/2 mm	8x o40 Ø6xØ12x1,4 mm	8x o6 Ø6xØ22/1,5 mm				
8x p6 Ø4x35 mm	6x p27 Ø3,5x13 mm	16x p62 Ø4x45 mm	2x p68 Ø4x20 mm	12x r1 Ø15x12 mm #16	12x r42 20/11	1x s71L 395 mm	1x s71P 395 mm	10x s59 Ø14x0,5 mm	12x s68 Ø20mm	1x z1 4 mm						

1 

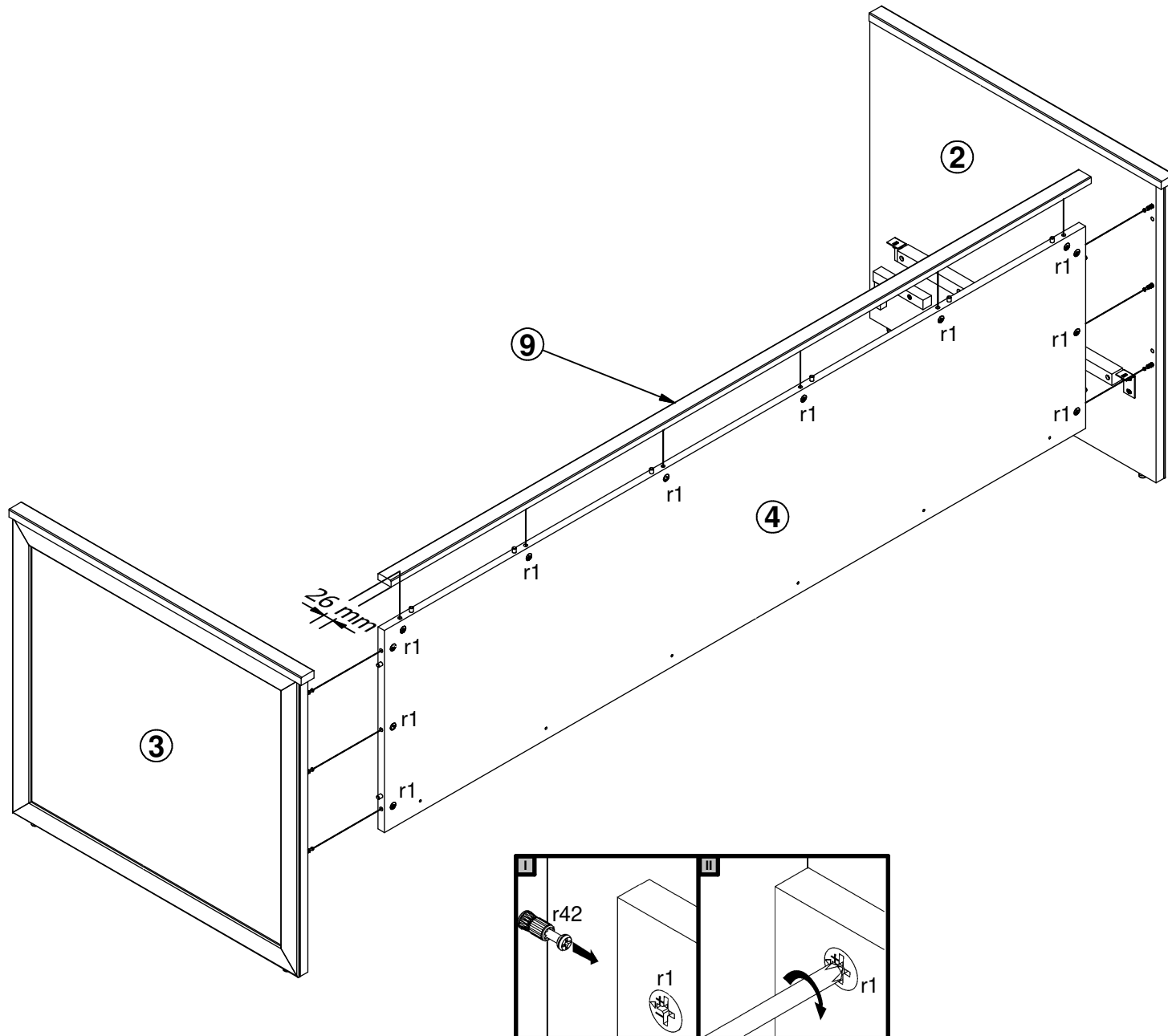


8x Ø6,3x13 mm e2	10x Ø8x30 mm f1	4x M6/Ø14x14 mm k39/2	4x M6/22 mm k39/3	4x 55x30x29/2 mm n99
8x Ø4x35 mm p6	10x Ø4x45 mm p62	12x Ø15x12 mm #16 r1	6x 20/11 r42	

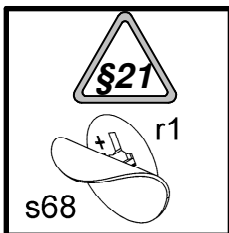
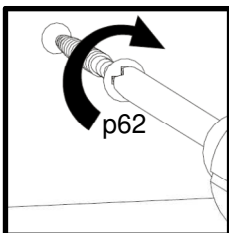
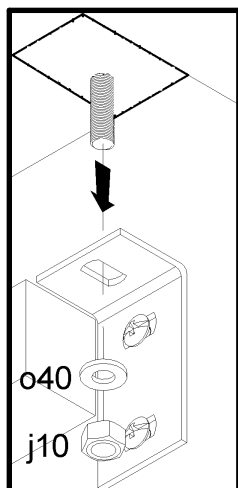
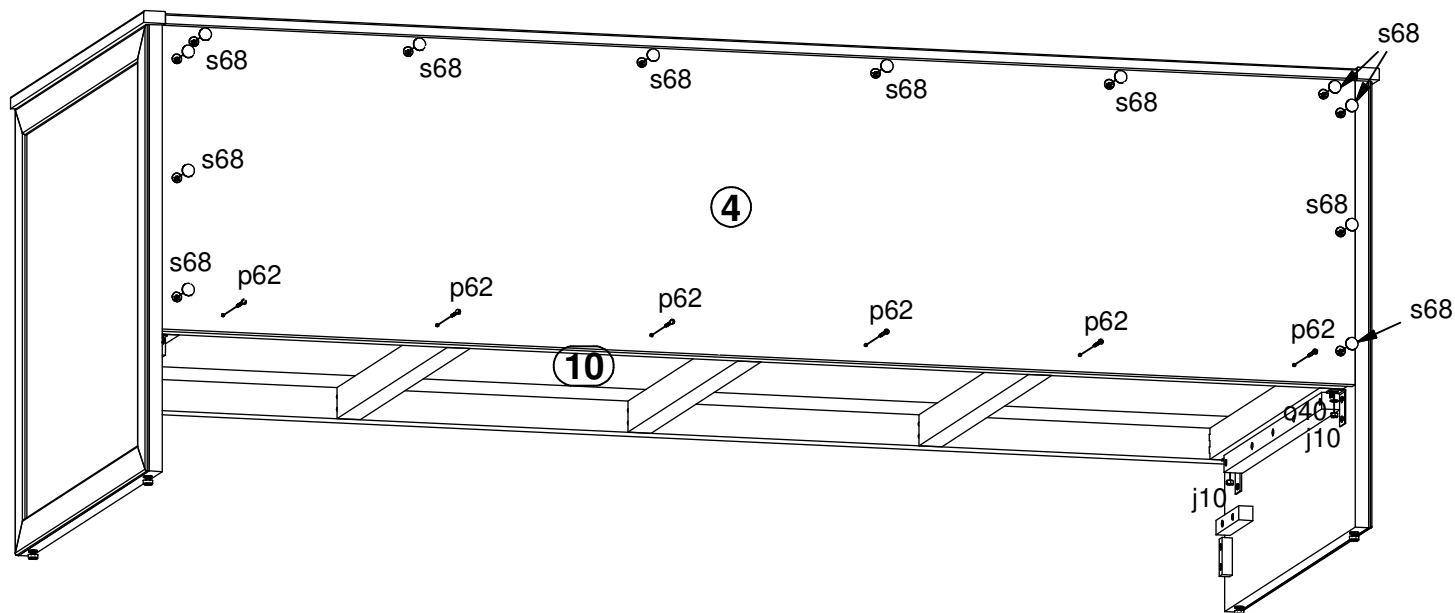
2 







3 

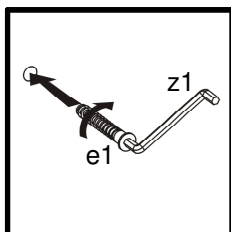
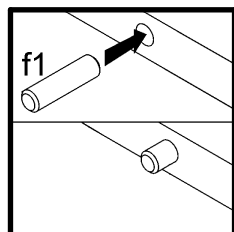
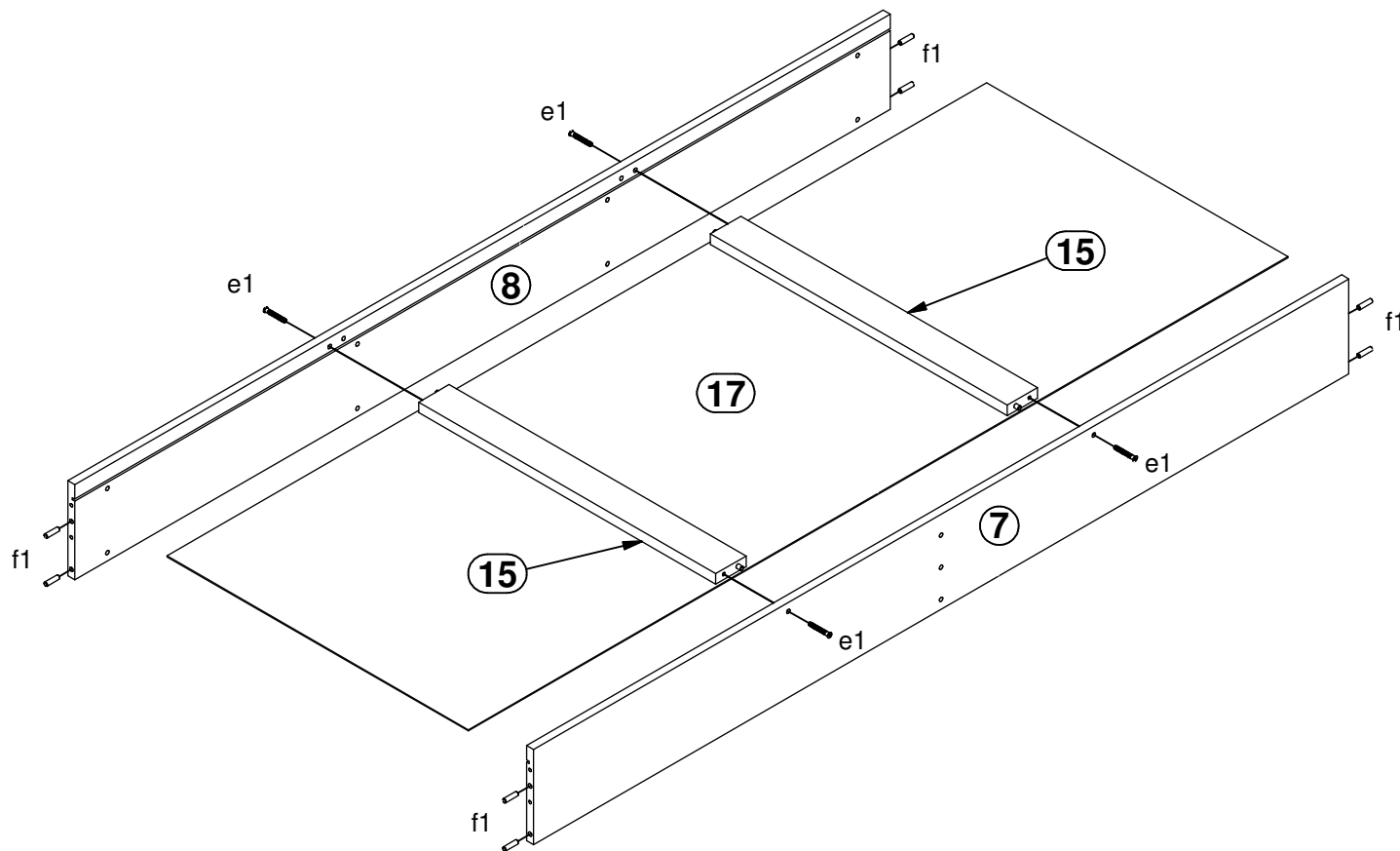





4 



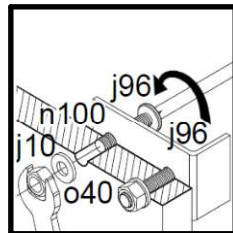
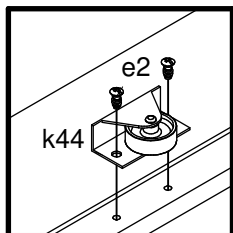
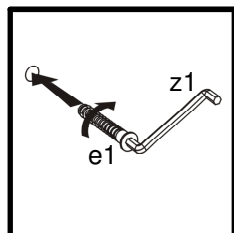
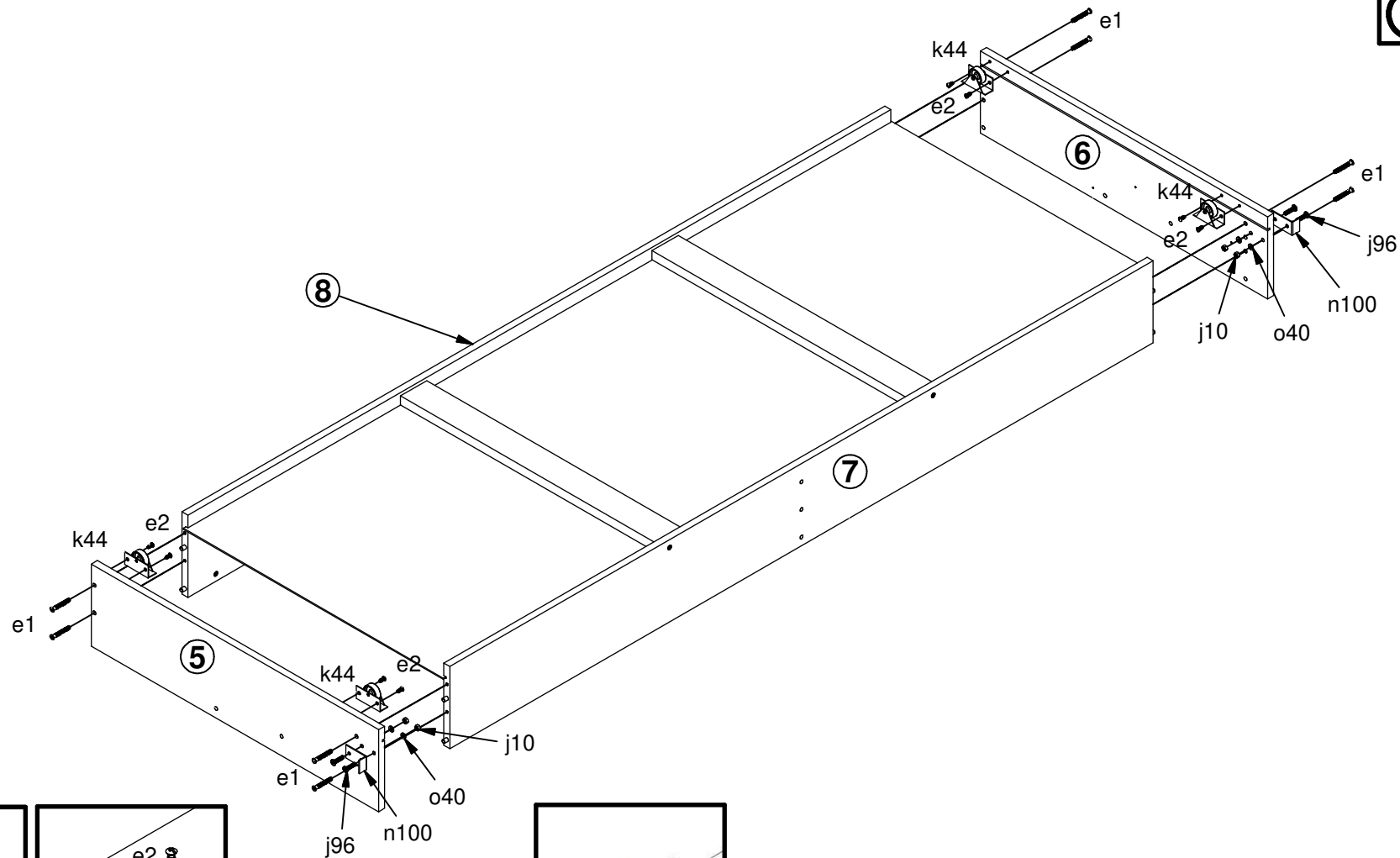
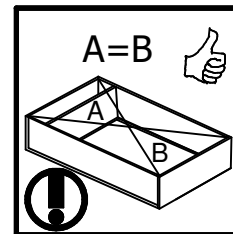
- | | | | |
|--|--|--|---|
| 4x  j10 | 4x  o40 | 6x  p62 | 12x  s68 |
| <small>M6</small> | <small>Ø6xØ12,1,4 mm</small> | <small>Ø4x45 mm</small> | <small>Ø 20mm</small> |

5 



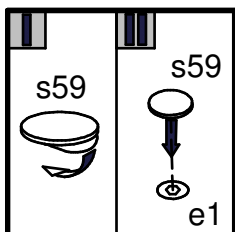
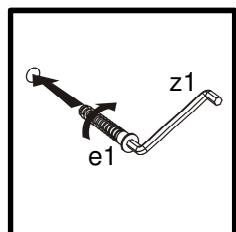
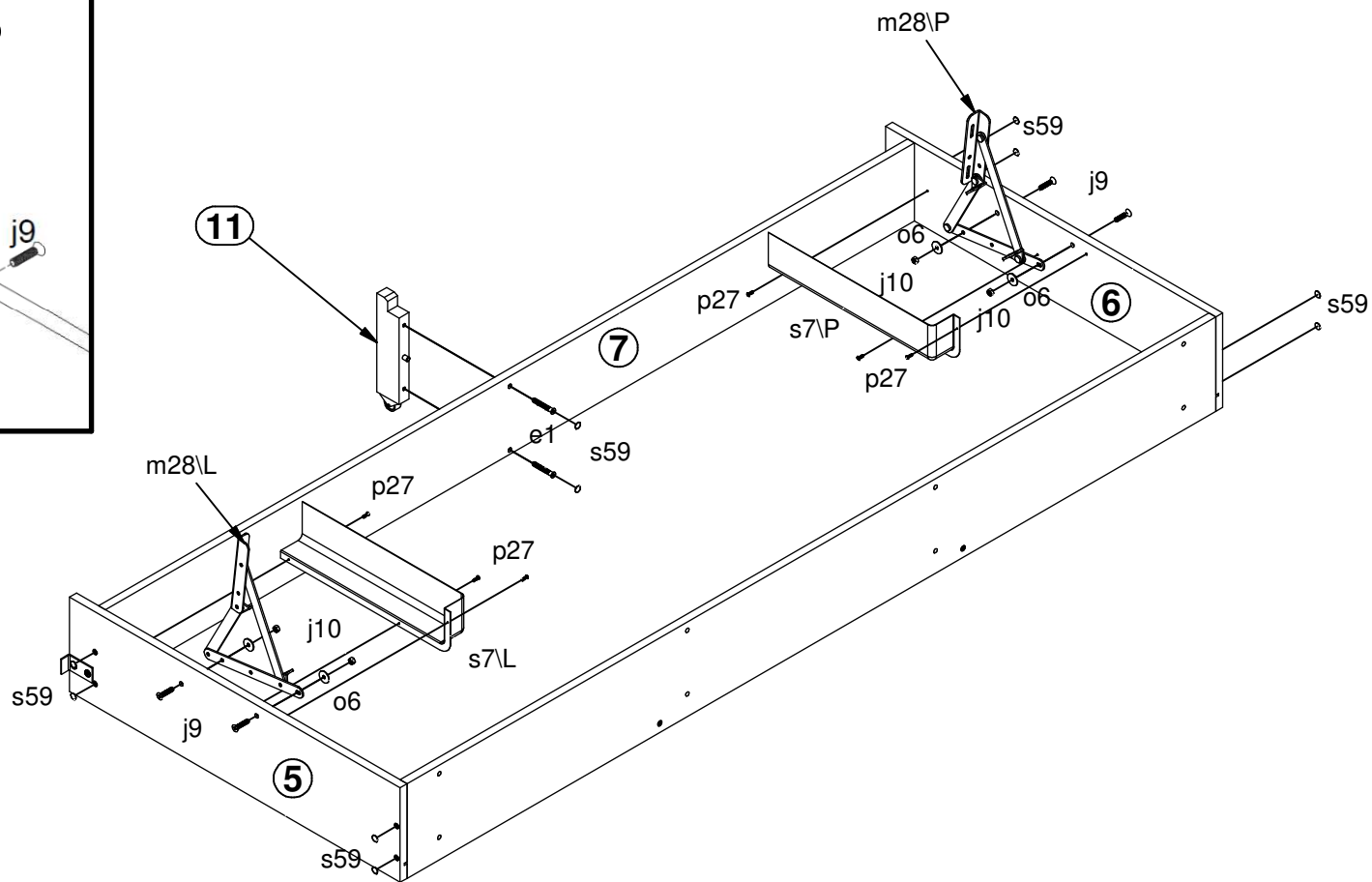
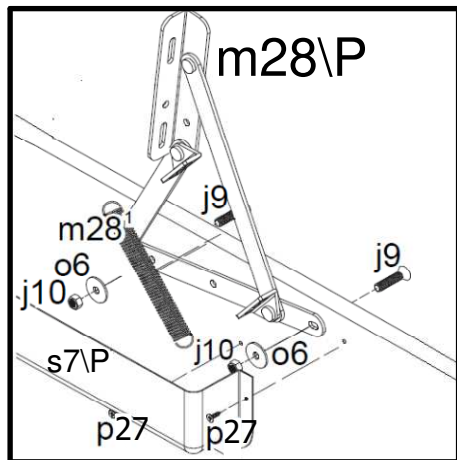
4x  Ø7x50 mm e1	8x  Ø8x30 mm f1	1x  4 mm z1
---	---	---

6 



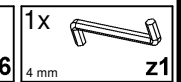
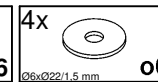
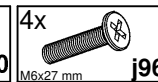
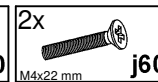
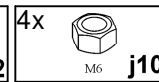
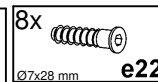
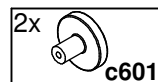
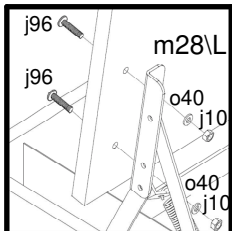
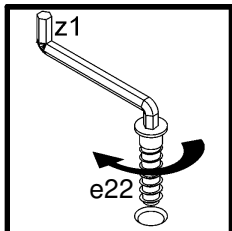
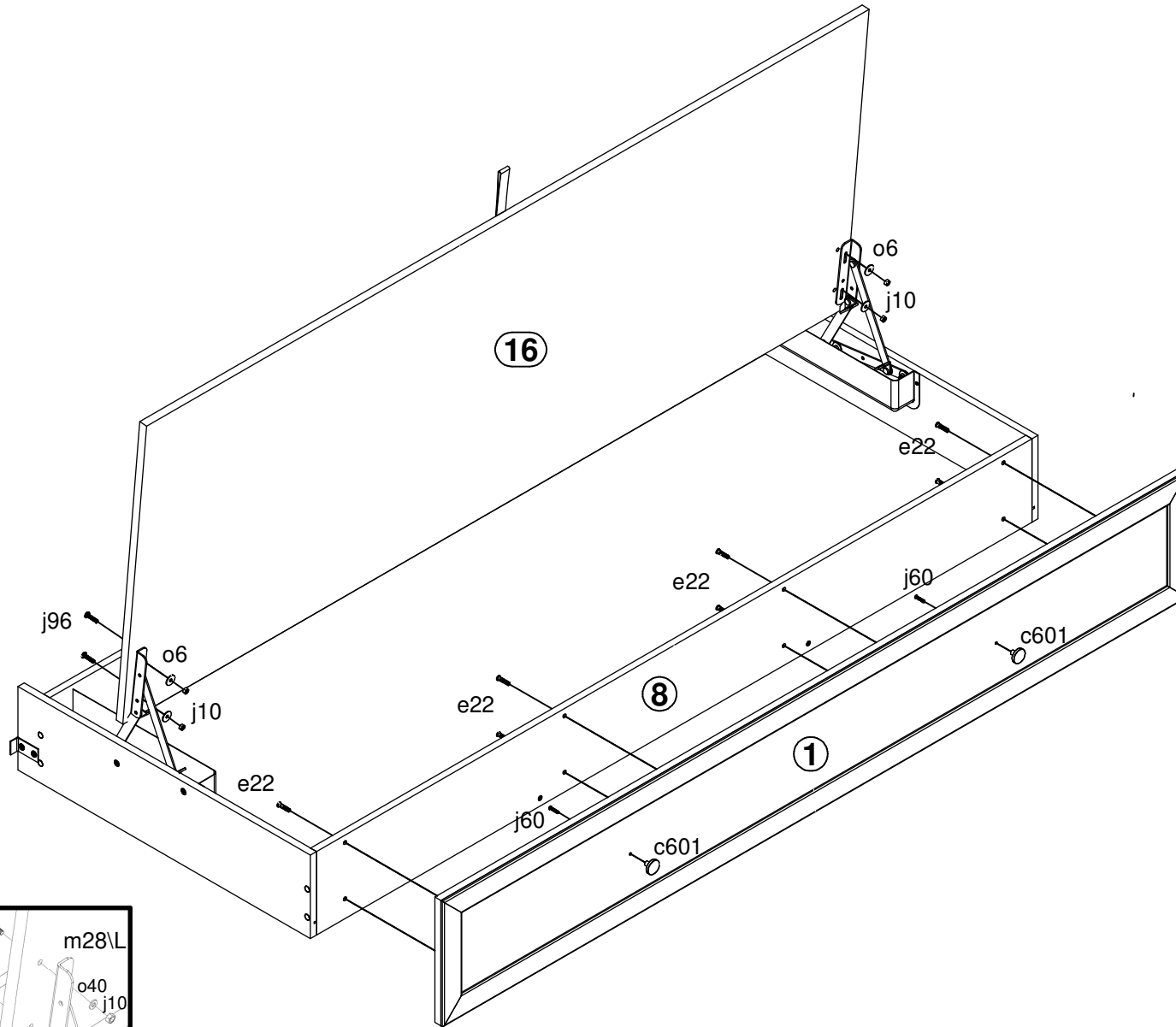
8x Ø7x50 mm e1	8x Ø6.3x13 mm e2	4x M6x27 mm j96	4x M6 j10
4x Ø35 mm k44	2x 55x30x20/2 n100	4x Ø6xØ12/1.4 mm o40	1x 4 mm z1

7 

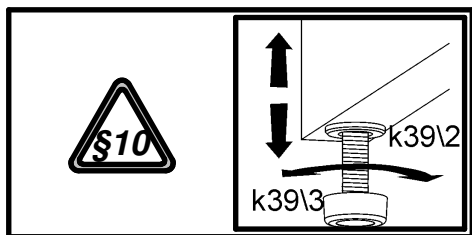
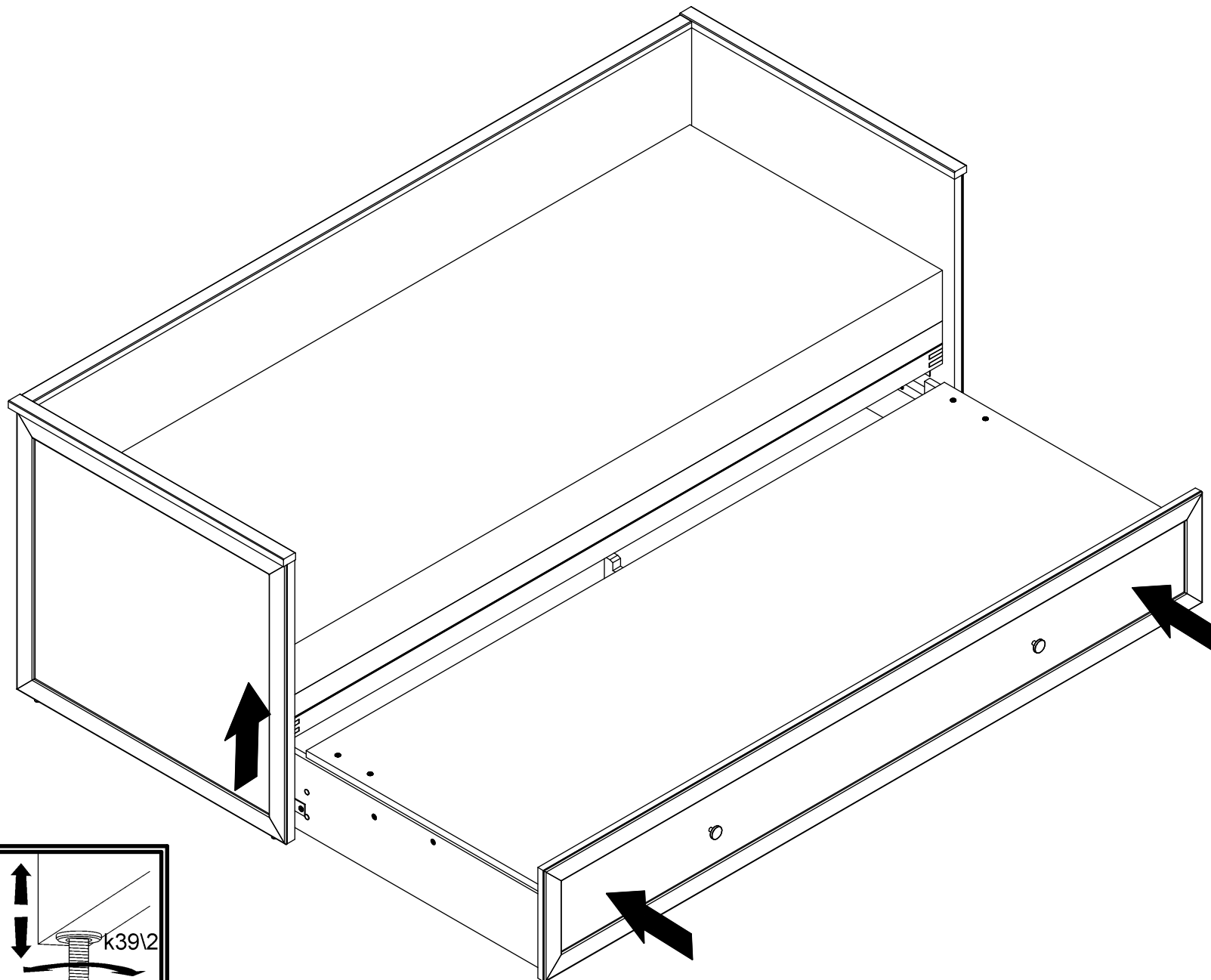


2x Ø7x50 mm e1	4x M6x30 mm j9	4x M6 j10	1x m28\L
1x m28\P	2x m28\L	4x Ø6xØ22/1.5 mm o6	6x Ø3.5x13 mm p27
1x 395 mm s7\L	1x 395 mm s7\P	10x Ø14x0.5 mm s59	1x 4 mm z1

8 



9 



10

