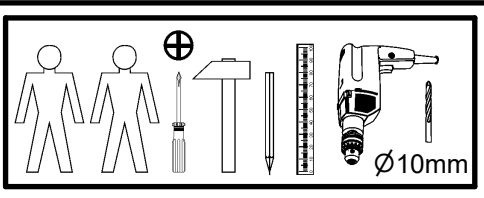
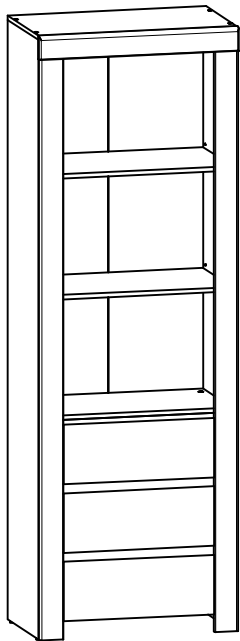
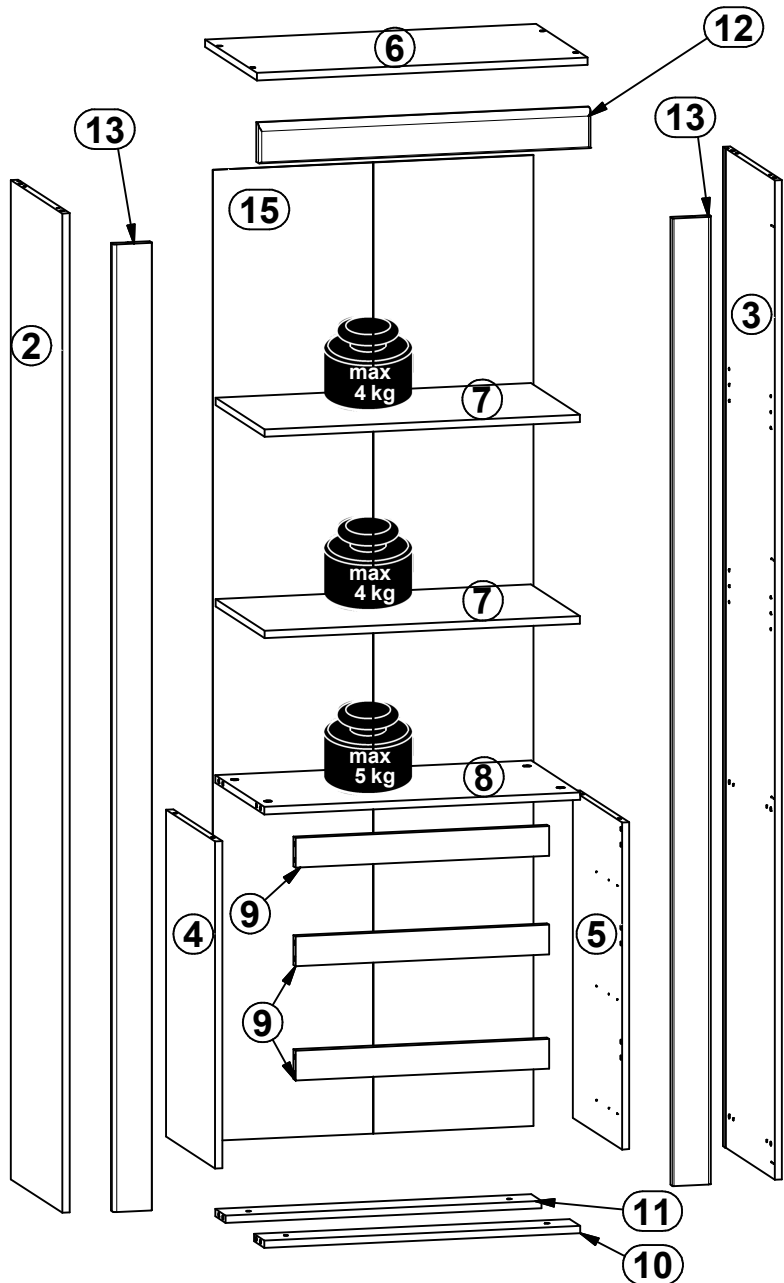
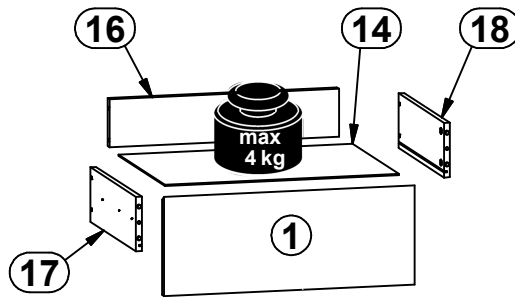
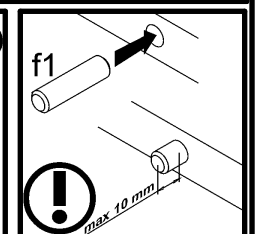
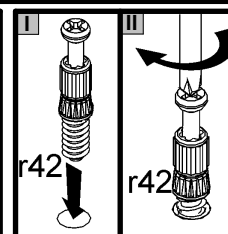
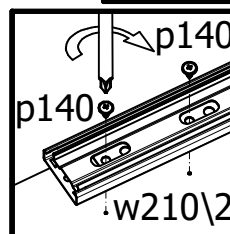
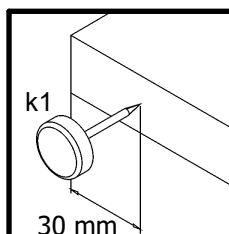
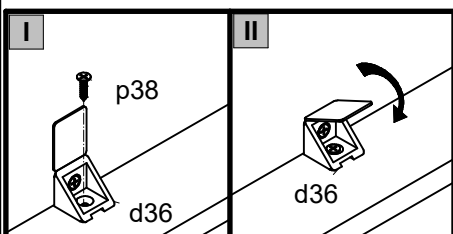
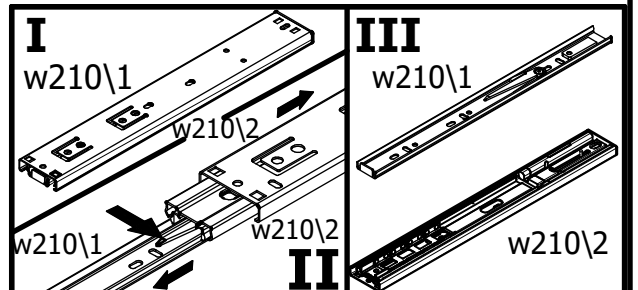
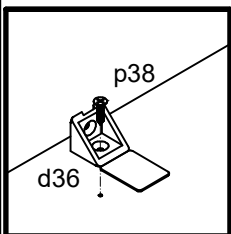
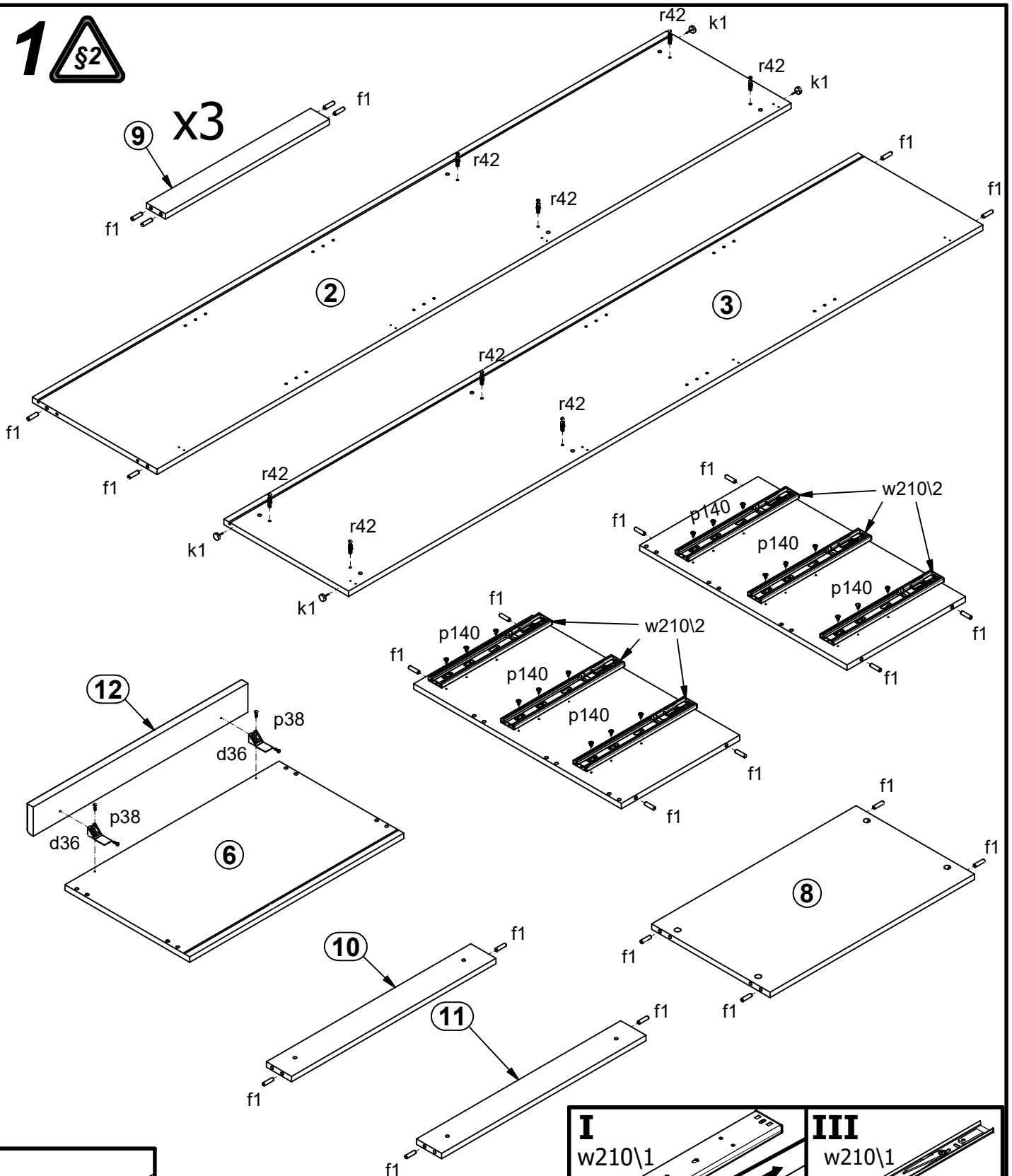


A	B	C	D	
1	S440-0023	515	200	1/2
2	S440-1043	2014	396	1/2
3	S440-1044	2014	396	1/2
4	S440-1045	659	376	2/2
5	S440-1046	659	376	2/2
6	S440-2011	680	396	2/2
7	S440-3026	648	376	2/2
8	S440-3027	649	376	2/2
9	S440-4029	521	60	2/2
10	S440-4036	649	80	2/2
11	S440-4037	649	80	2/2
12	S440-5023	682	80	2/2
13	S440-5048	1950	80	1/2
14	S440-9015	481	357	2/2
15	S440-9304	1957	659	1/2
16	ZK3-5065	471	97	2/2
17	ZK4-523	350	110	2/2
18	ZK4-524	350	110	2/2

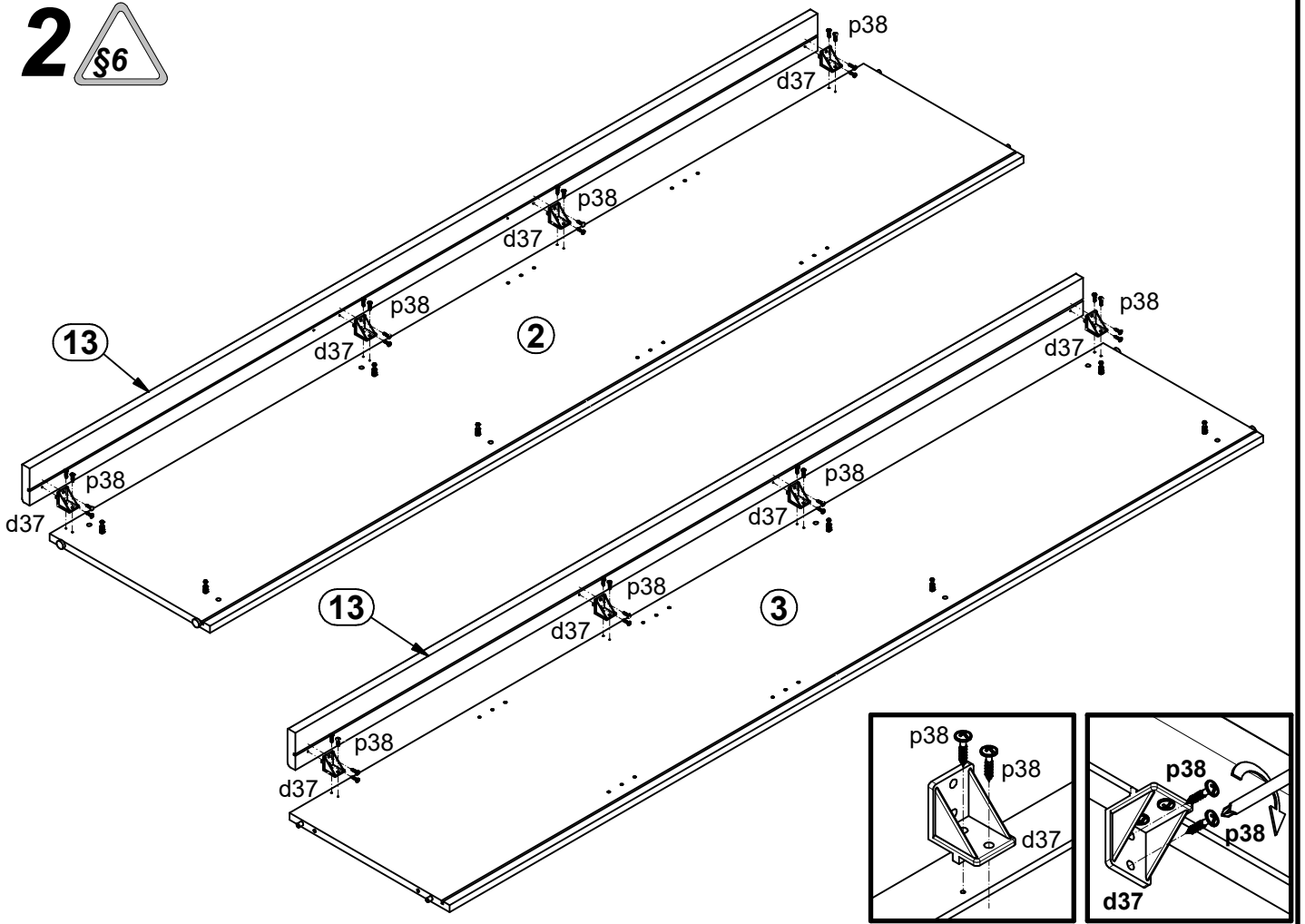


8x Ø5x17 mm d1	2x d36	8x d37	4x Ø7x50 mm e1	32x Ø8x30 mm f1	6x Ø6x30 mm f9	12x Ø6.5x40 mm f25	4x k1	15x 1.4x20 mm l1
11x l2	45x Ø3.5x16 mm p38	36x Ø3.5x12 mm p140	8x Ø15x12 mm #16 r1	12x Ø12x10.5 mm #12 r15	20x 20/11 r42	6x L-350 mm w210/1	6x L-350 mm w210/2	1x 4 mm z1
4x Ø16 s2								
				1x Ø10x50 mm f35	1x 88x21x15/1.5 n14/2	1x Ø5x60 mm p17	2x Ø3.5x16 mm p38	

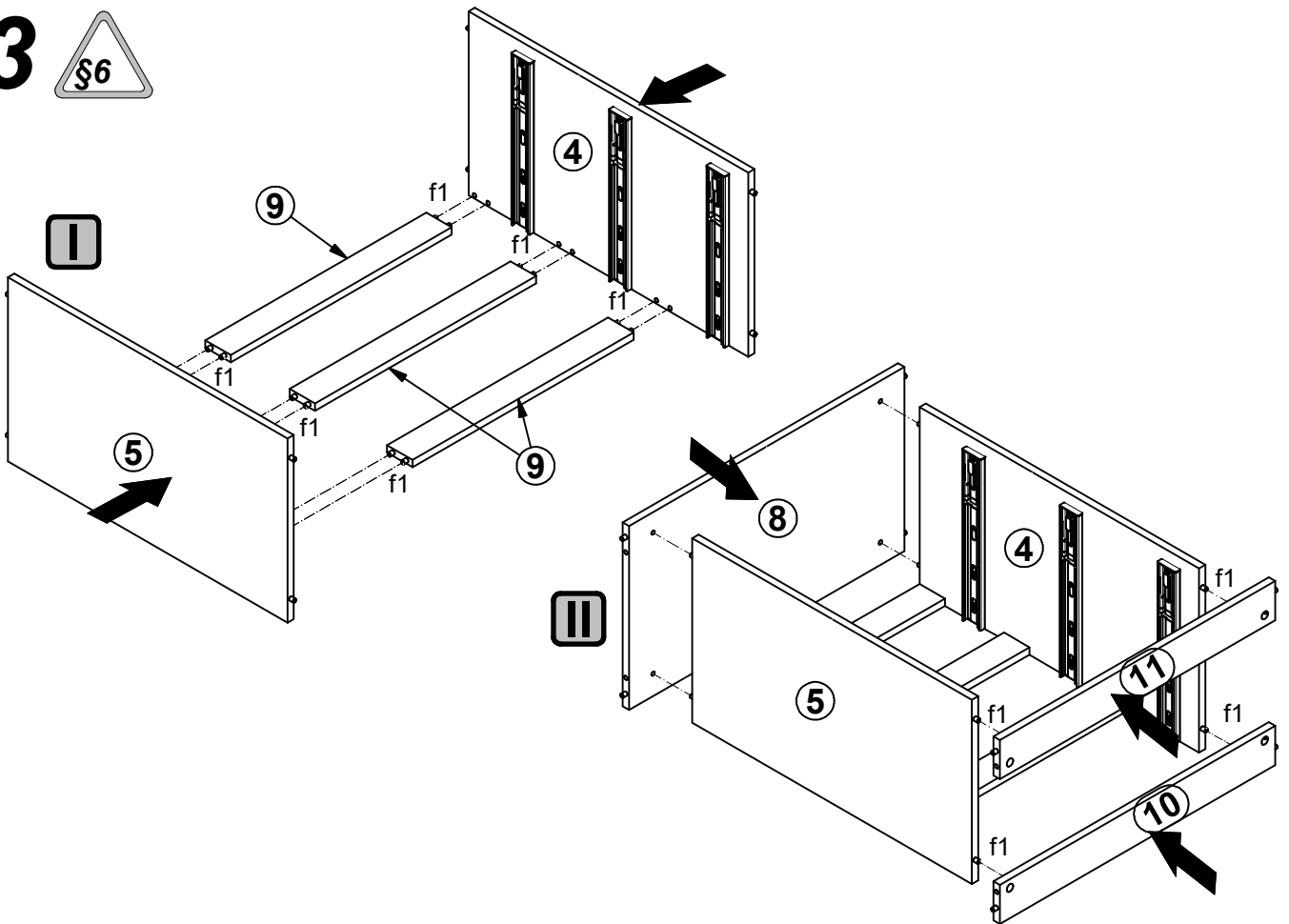
1 



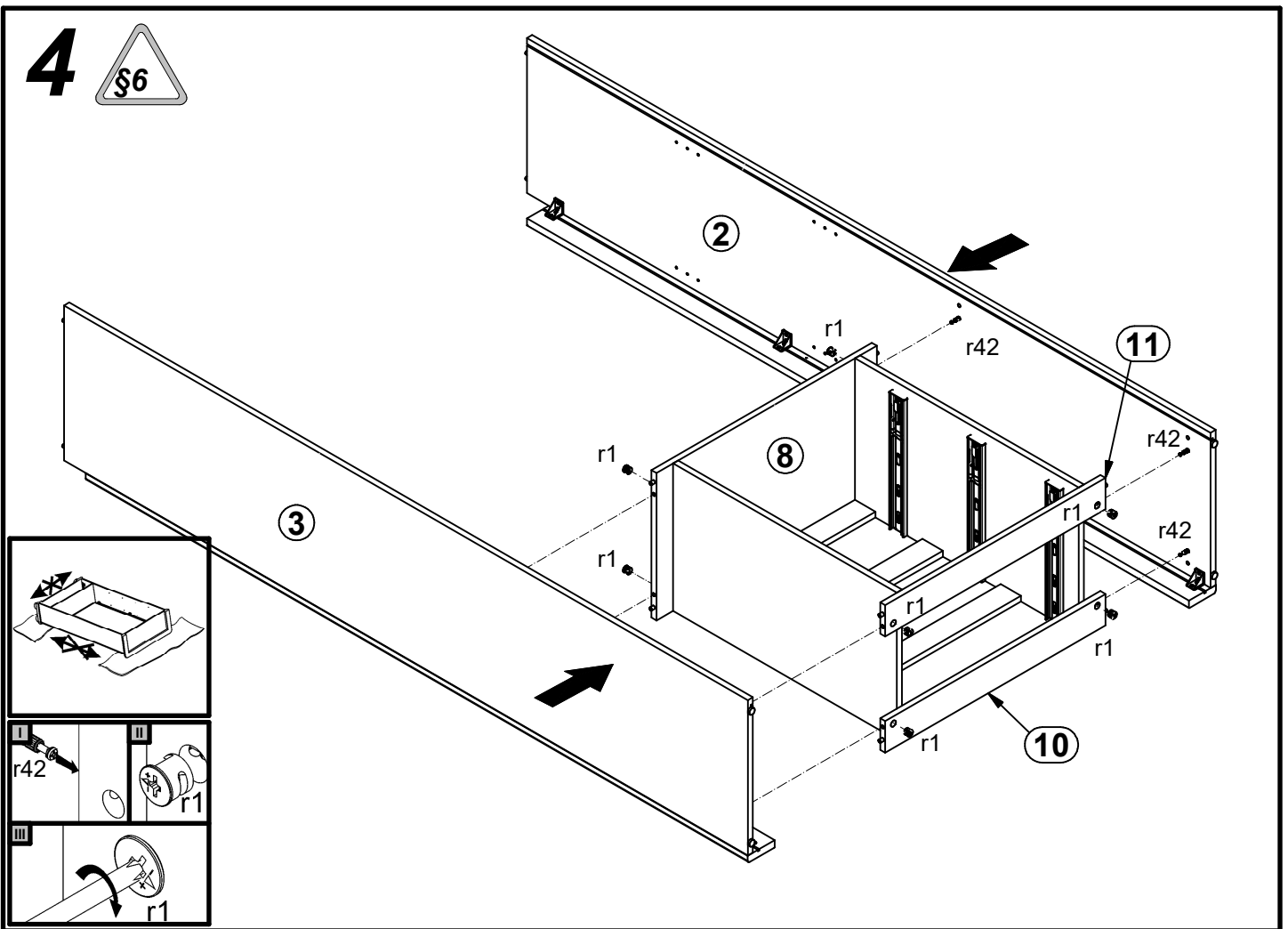
2 §6



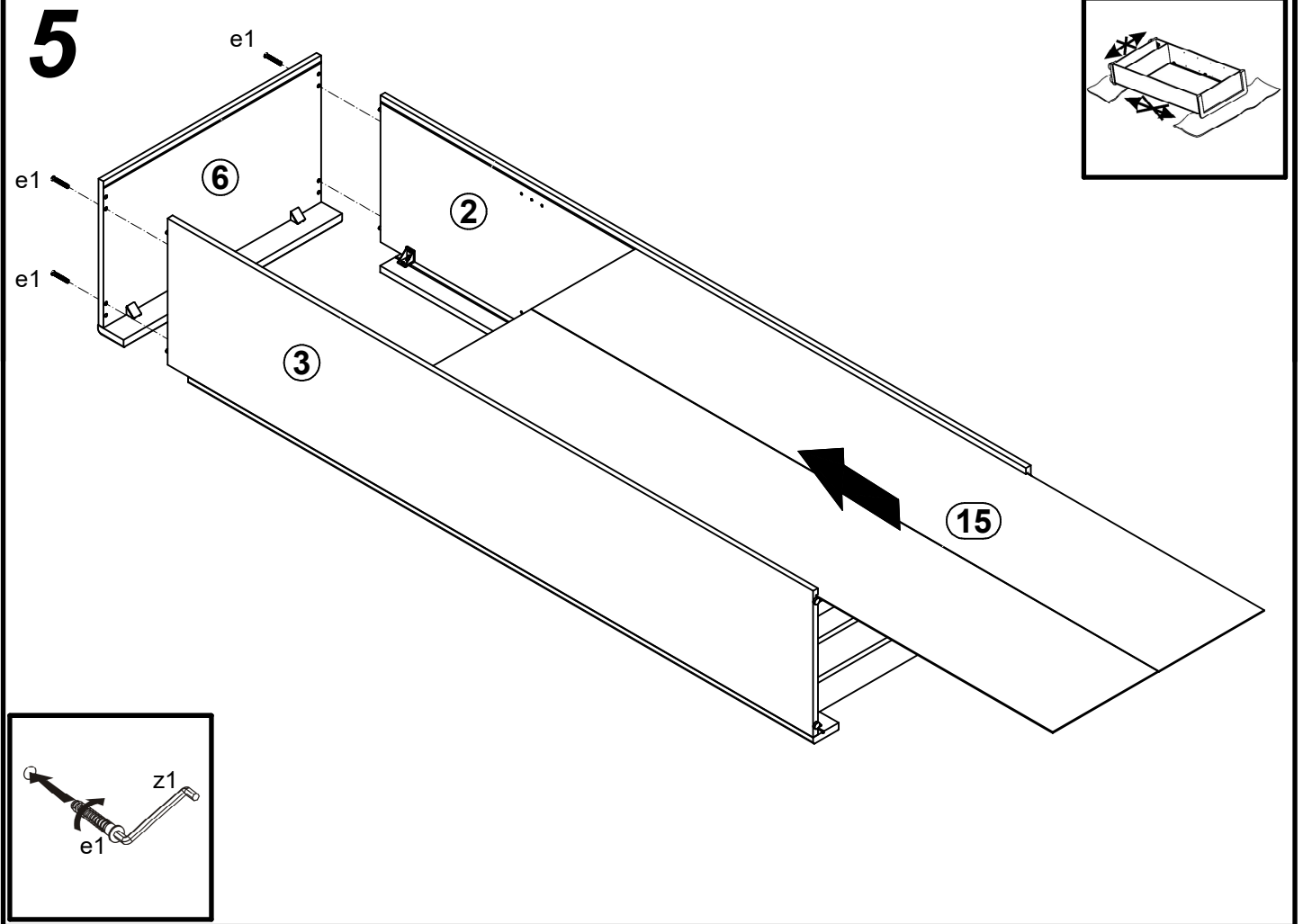
3 §6



4



5



8

