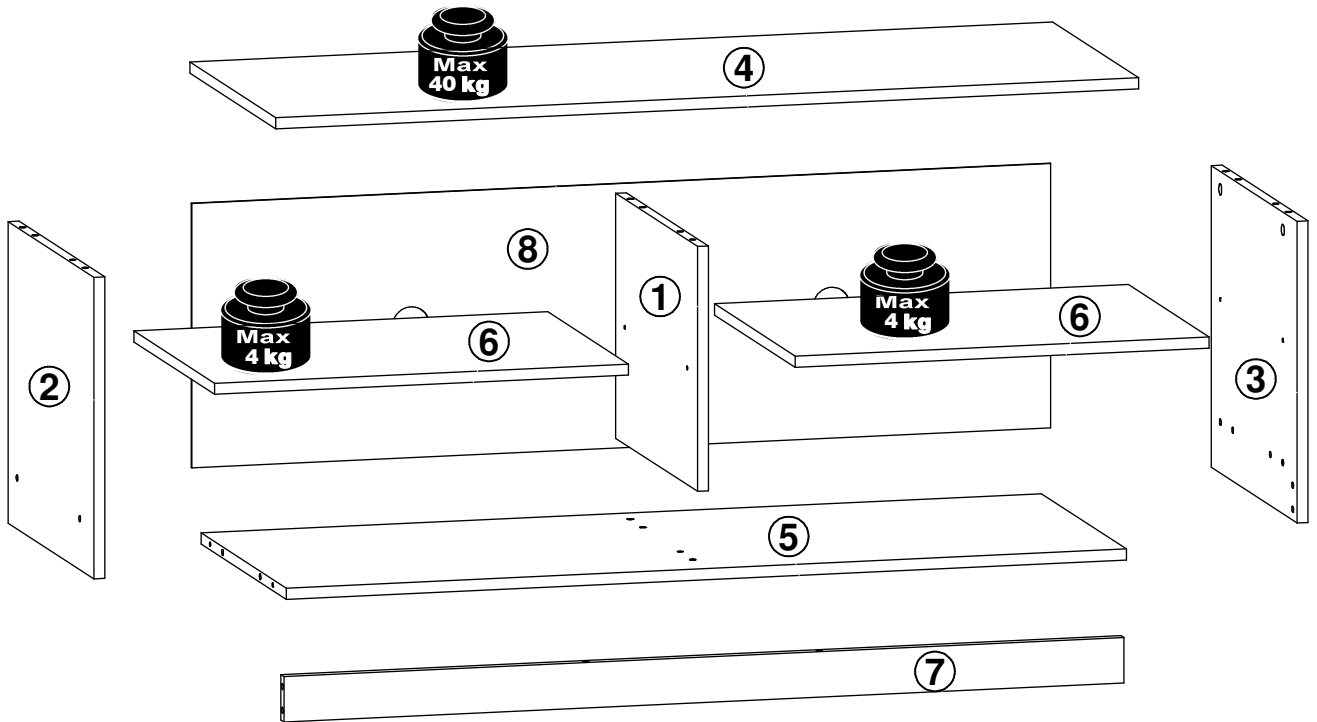
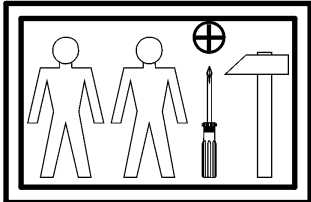
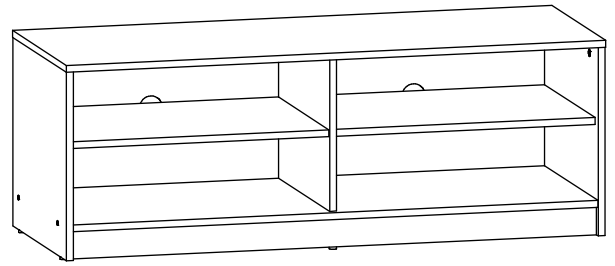
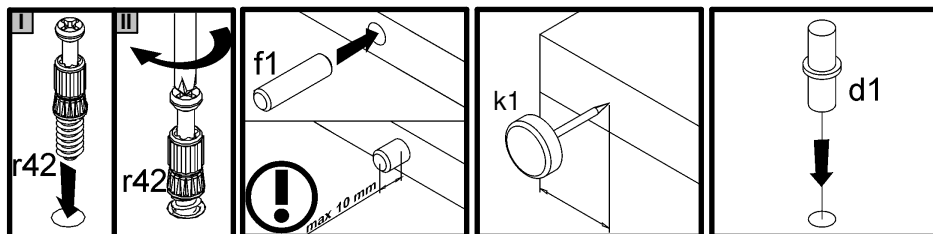
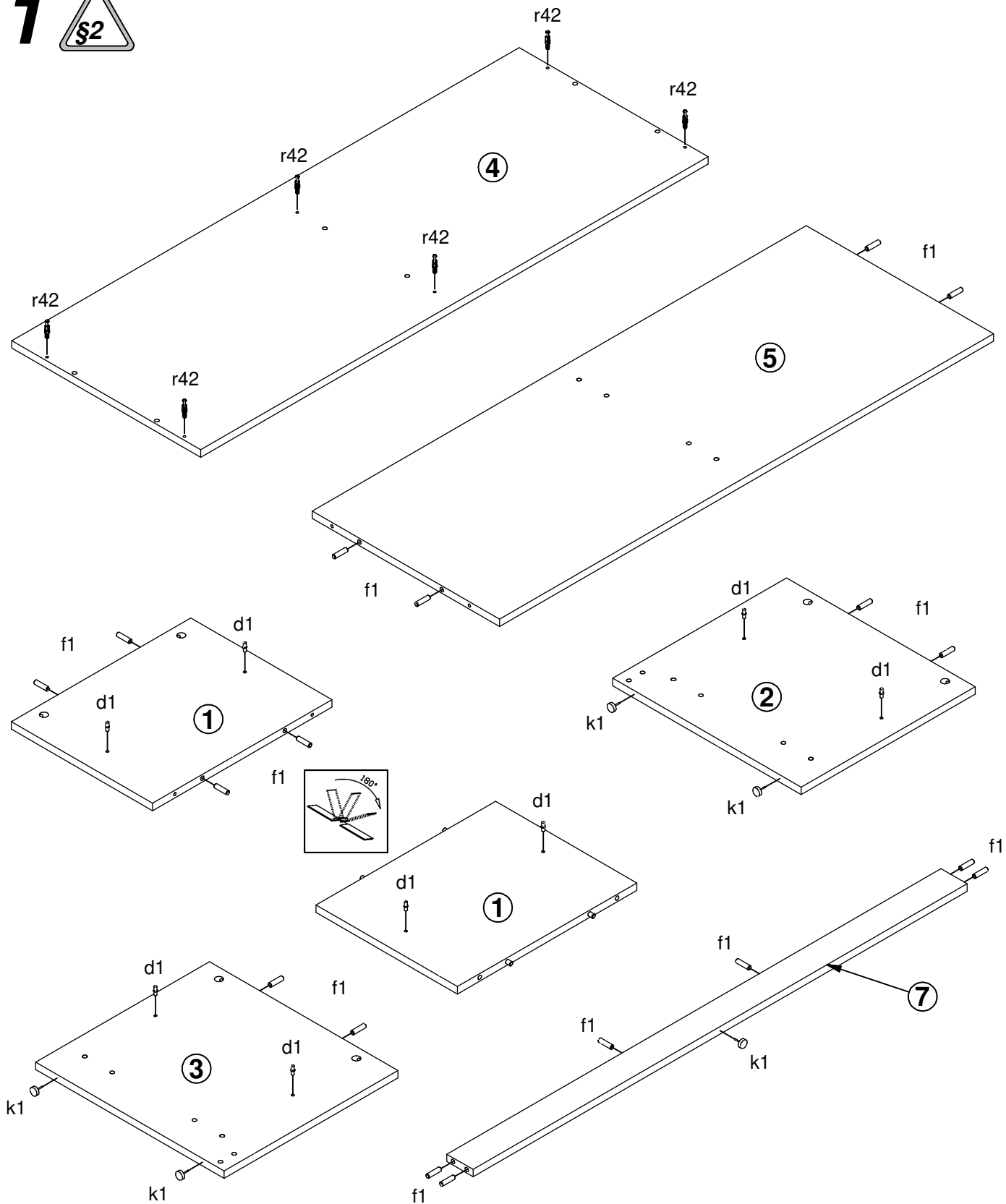


| A | B | C | D |
|---|-----------|------|-----|
| 1 | S414-1013 | 329 | 418 |
| 2 | S414-1018 | 405 | 439 |
| 3 | S414-1019 | 405 | 439 |
| 4 | S414-2005 | 1182 | 440 |
| 5 | S414-3008 | 1151 | 436 |
| 6 | S414-3013 | 567 | 413 |
| 7 | S414-4009 | 1151 | 61 |
| 8 | S414-9010 | 1177 | 355 |

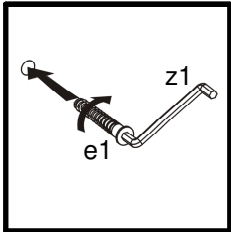
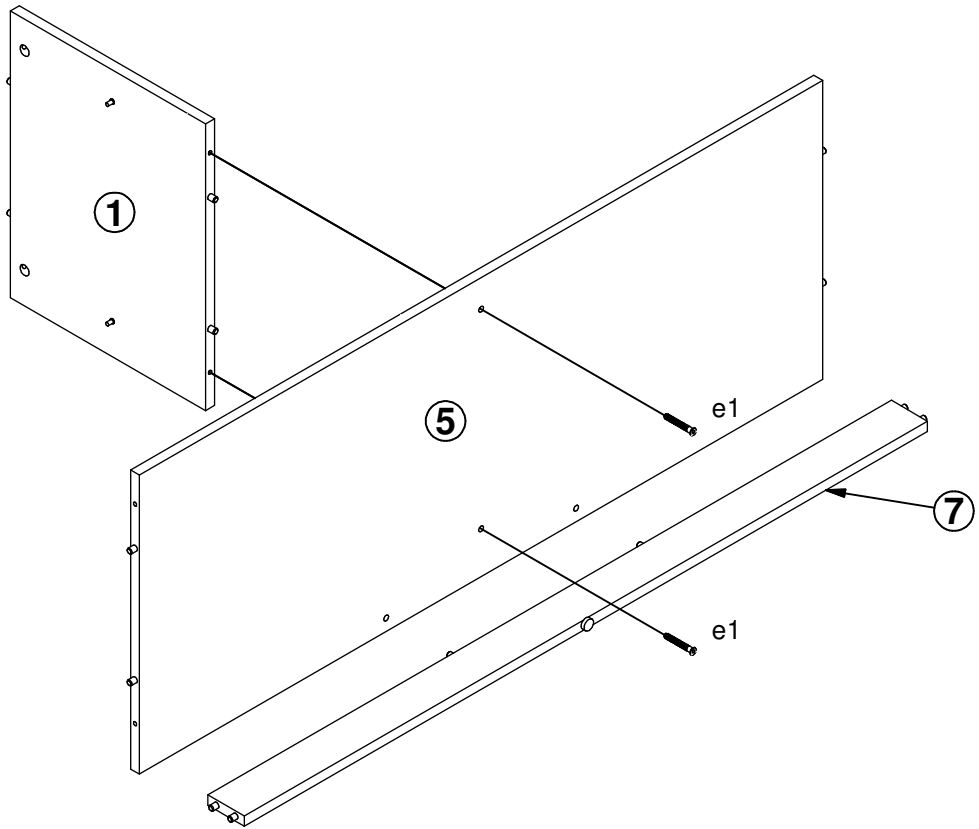


| | | | | | | | | |
|-------------------------|----------------------|-----------------------|----------|------------------------|---------------------------|--------------------|------------------|-----------|
| 8x Ø5x17 mm d1 | 6x Ø7x50 mm e1 | 18x Ø8x30 mm f1 | 5x k1 | 35x 1.4x20 mm l1 | 6x Ø15x12 mm #16 r1 | 6x 20/11 r42 | 1x 4 mm z1 | 1x n26 |
| 1x Ø3.5x16 mm p38 | 4x s1 | 6x Ø16 s2 | | | | | | |

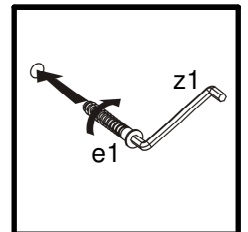
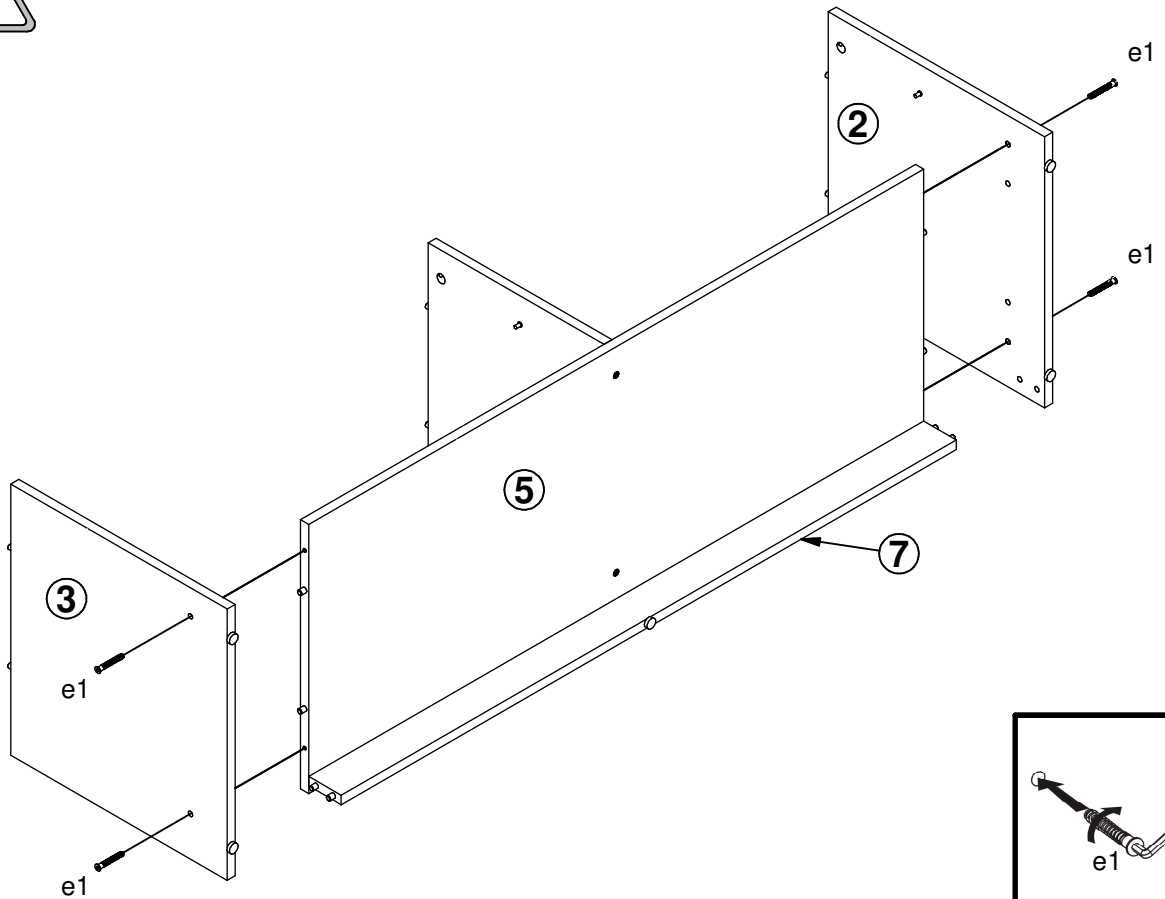
1



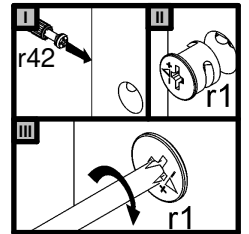
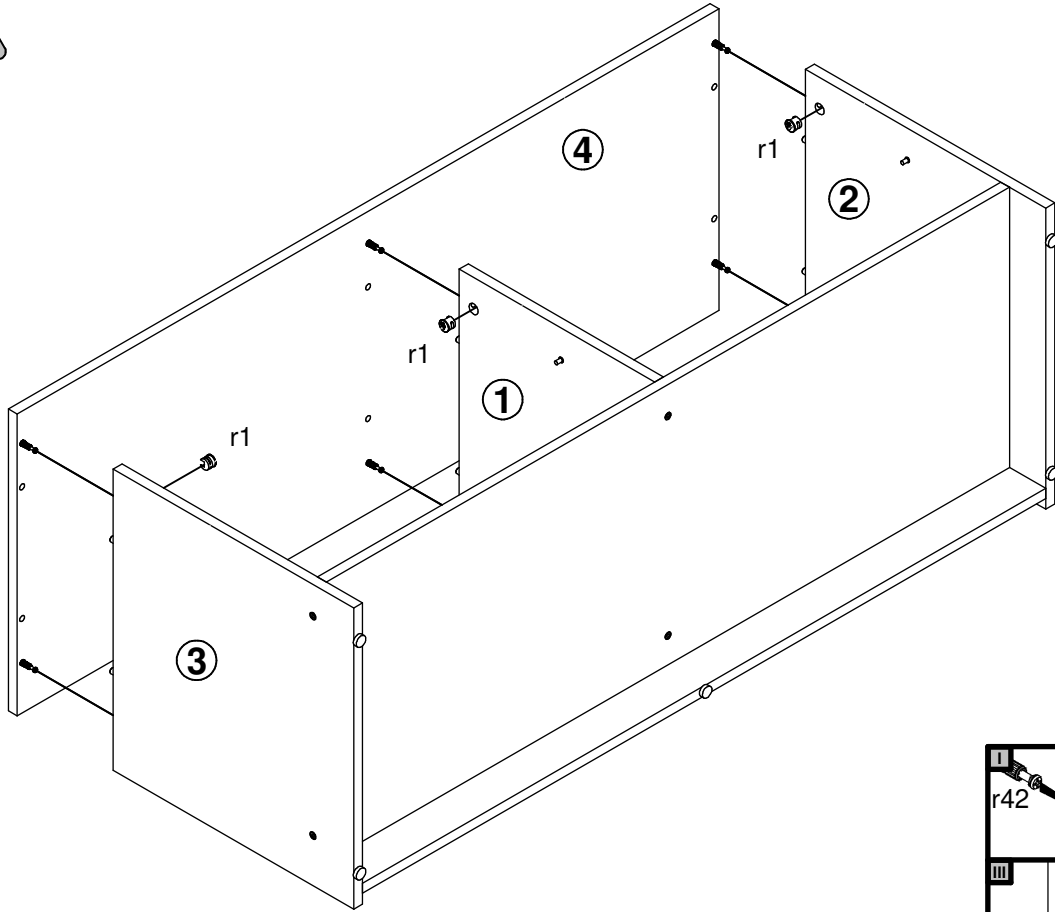
2



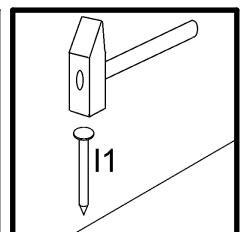
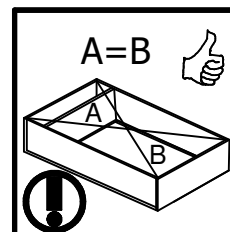
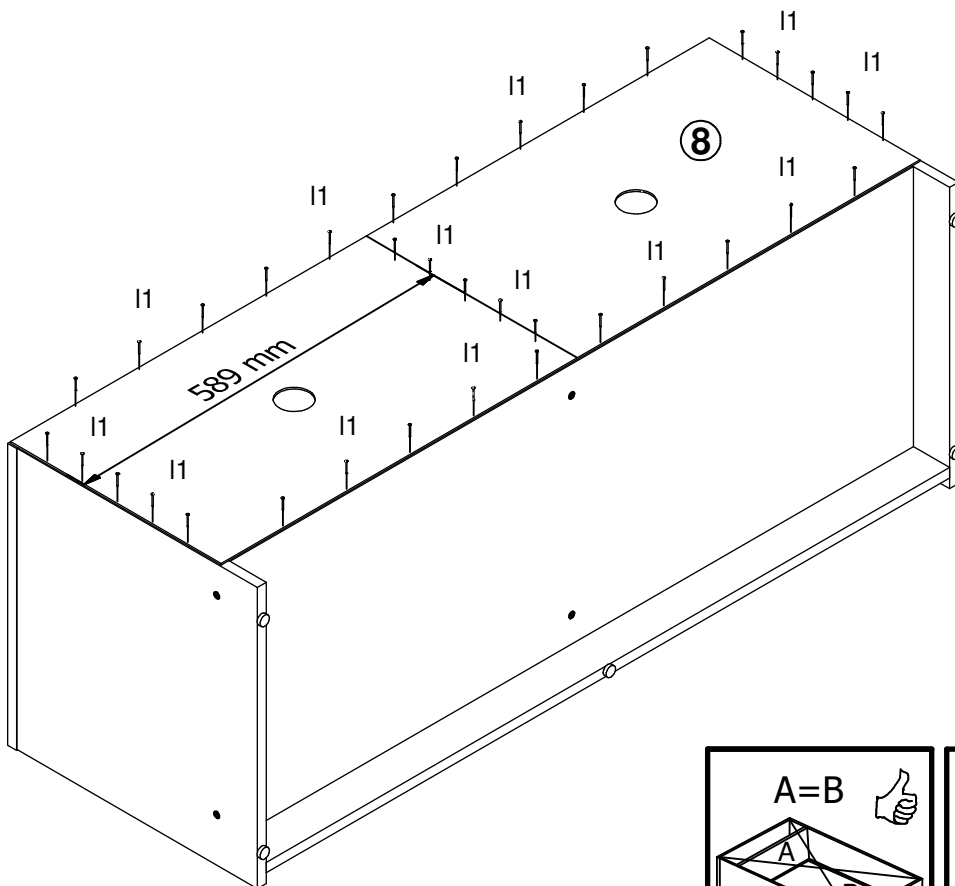
3



4



5



6

