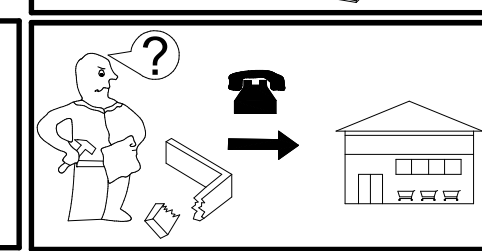
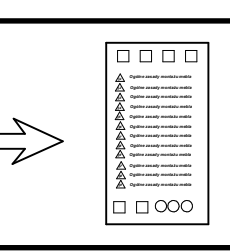
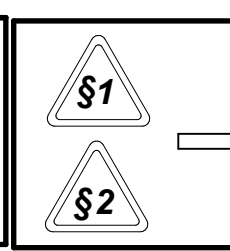
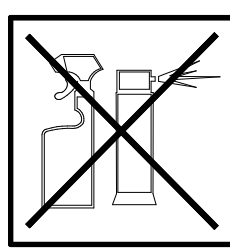
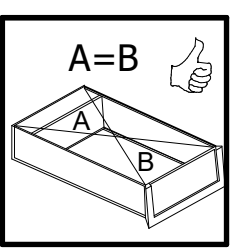
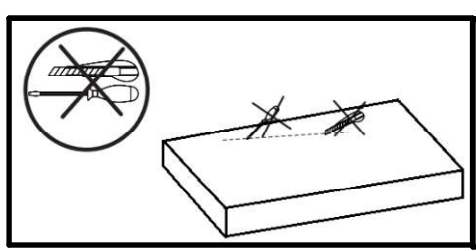
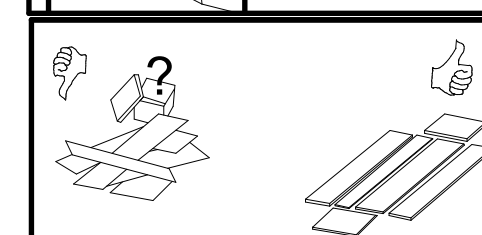
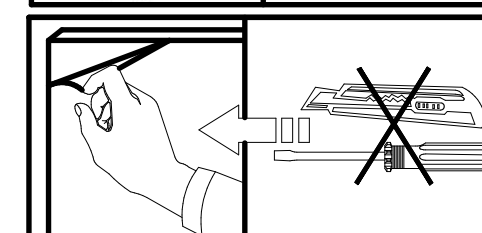
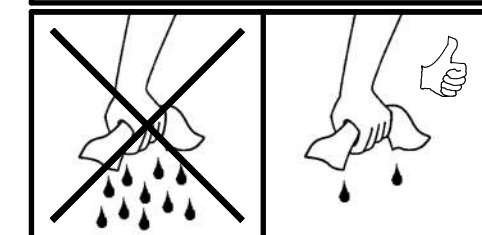
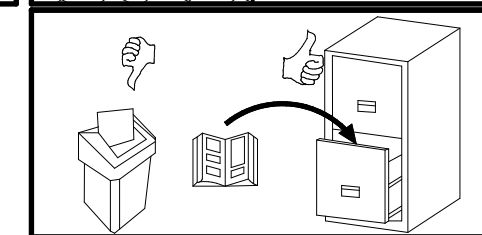
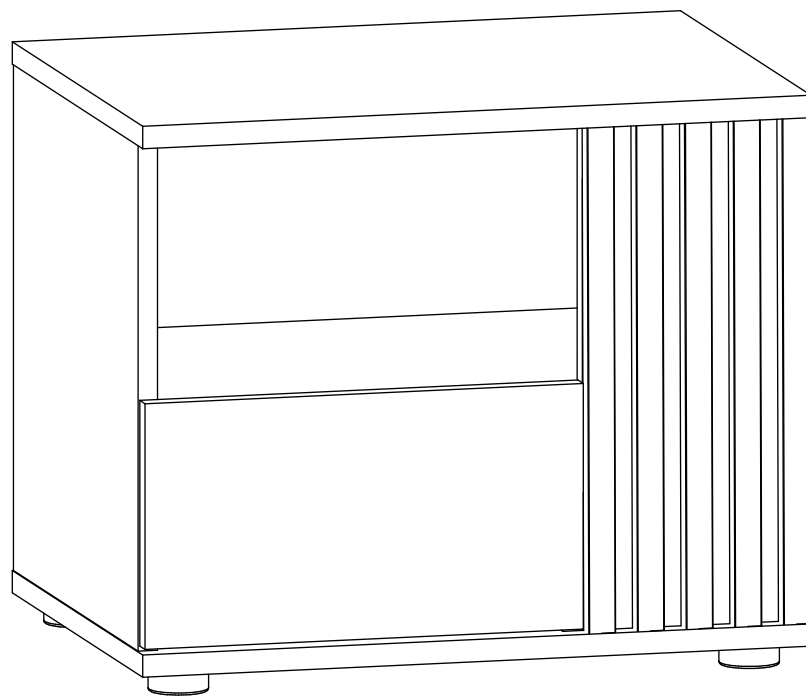
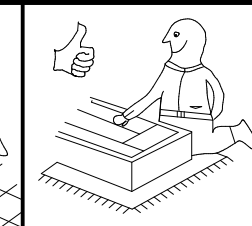
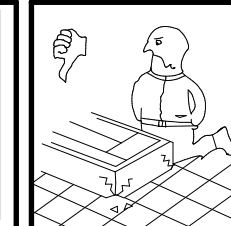
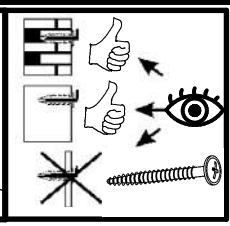
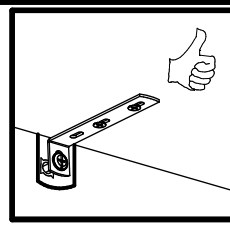
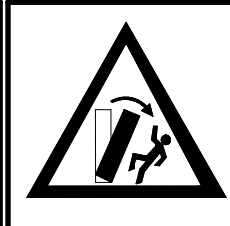
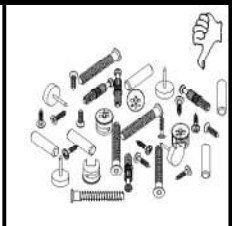
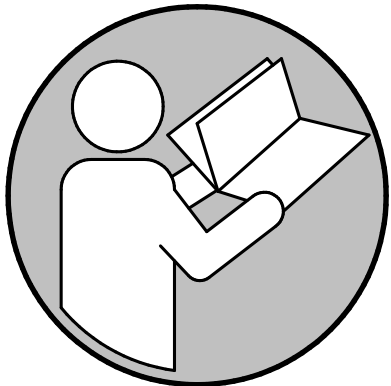
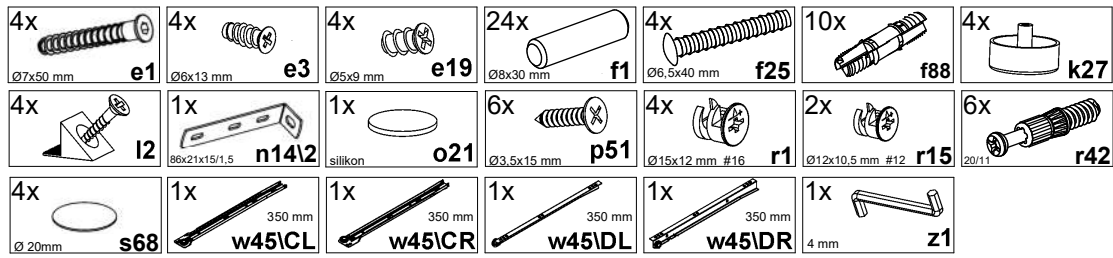
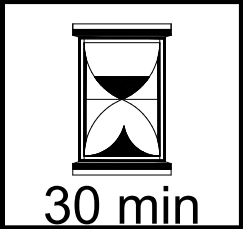
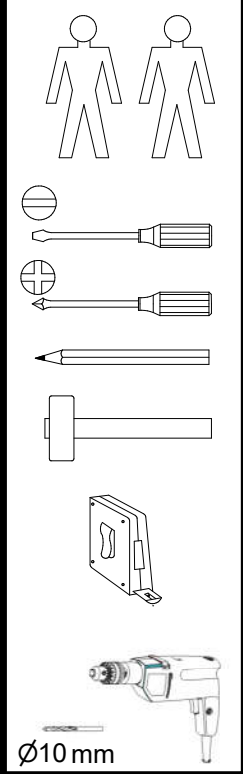
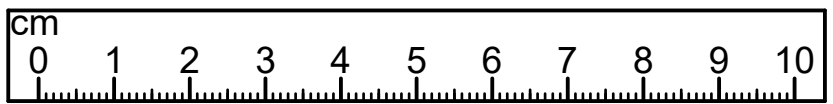
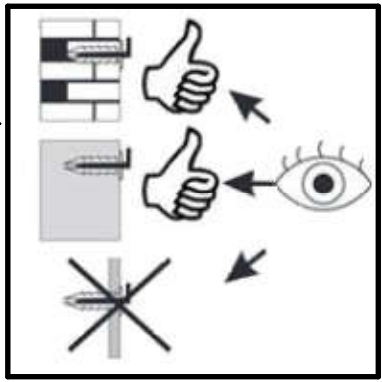
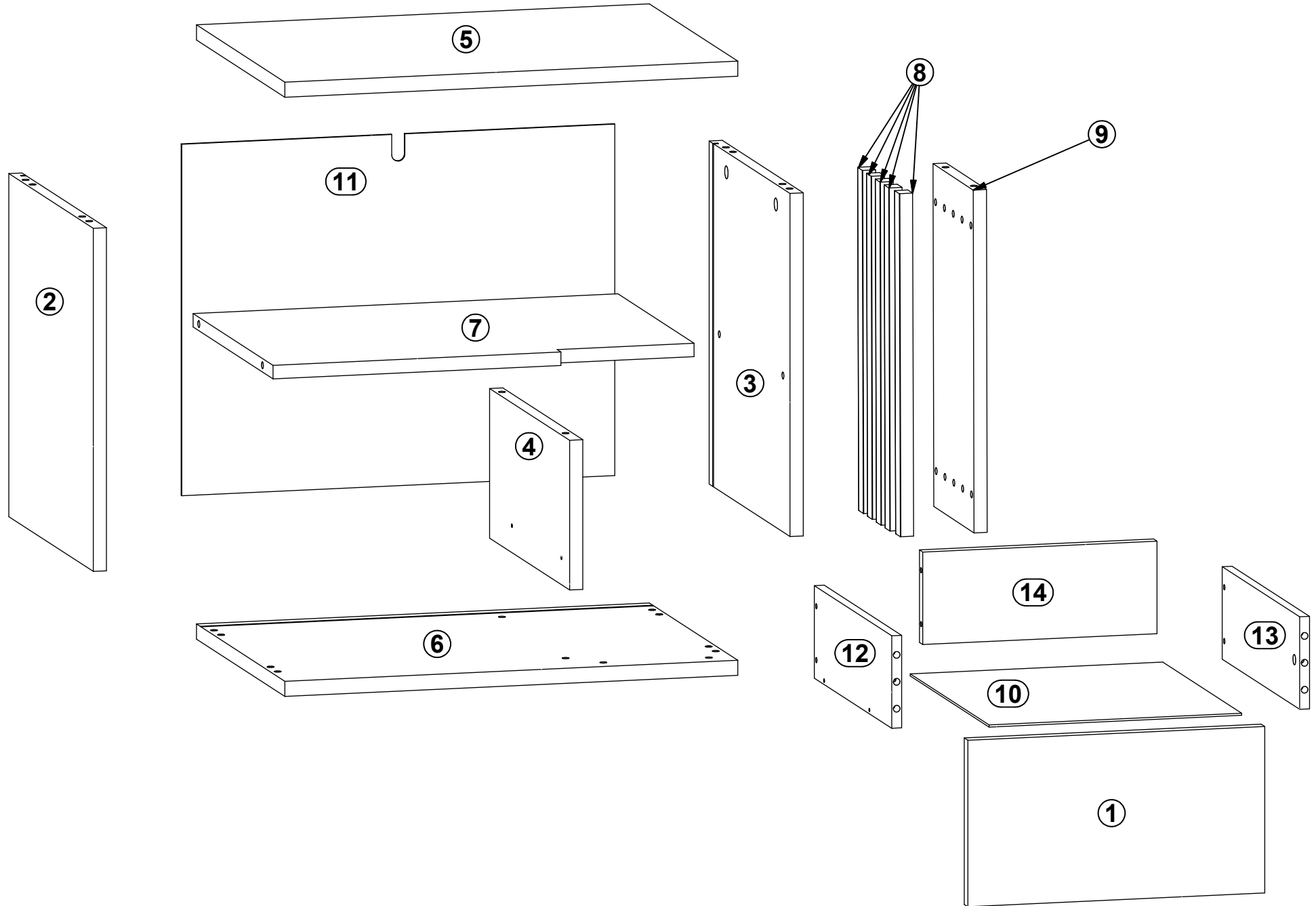


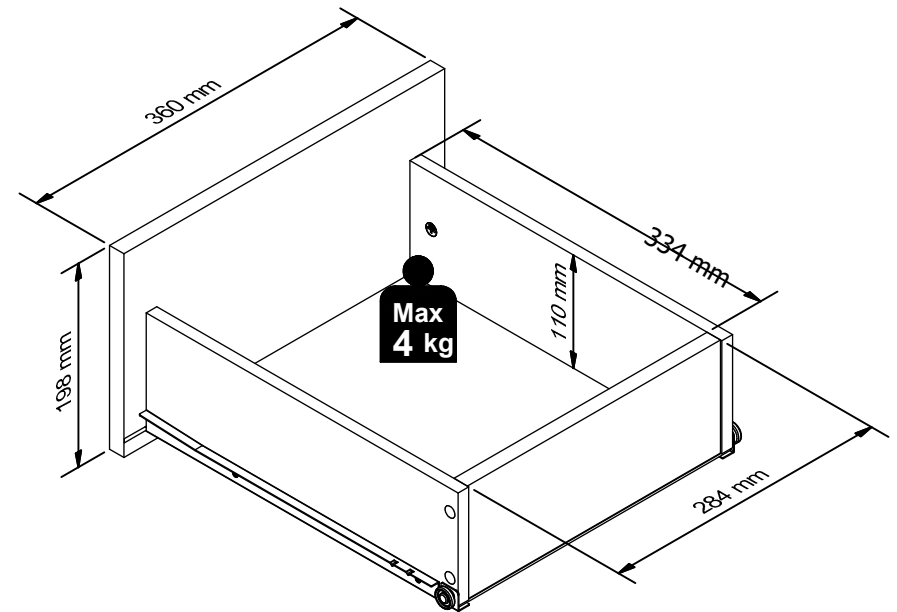
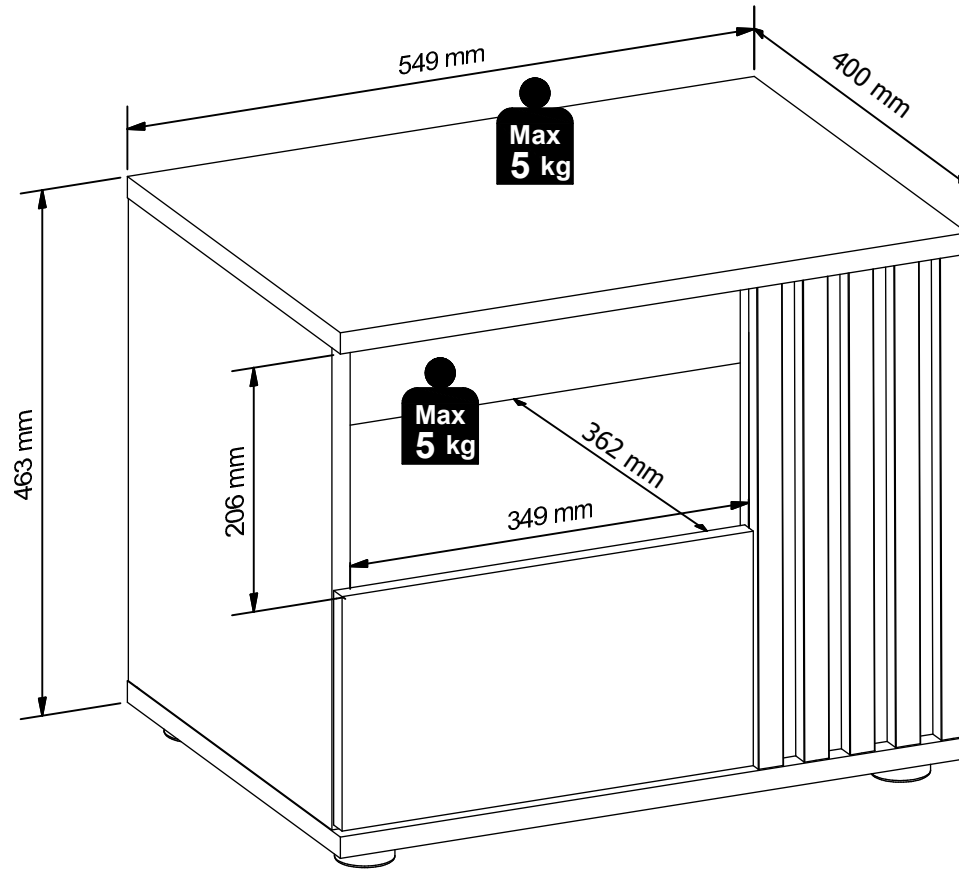
A**S620-KOM1S/P****VABRES**



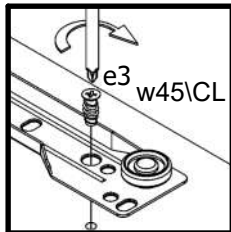
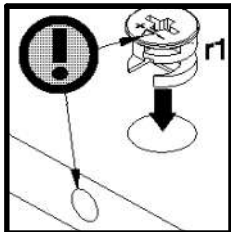
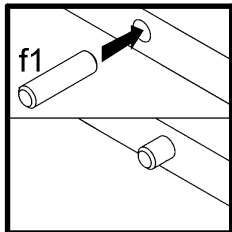
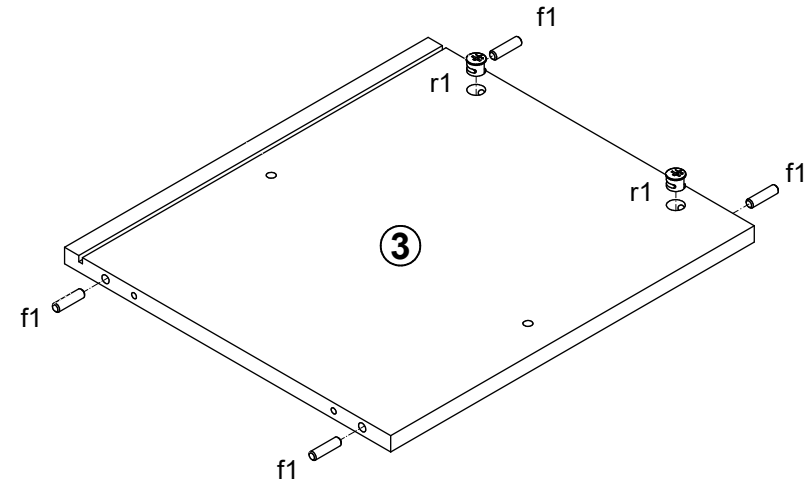
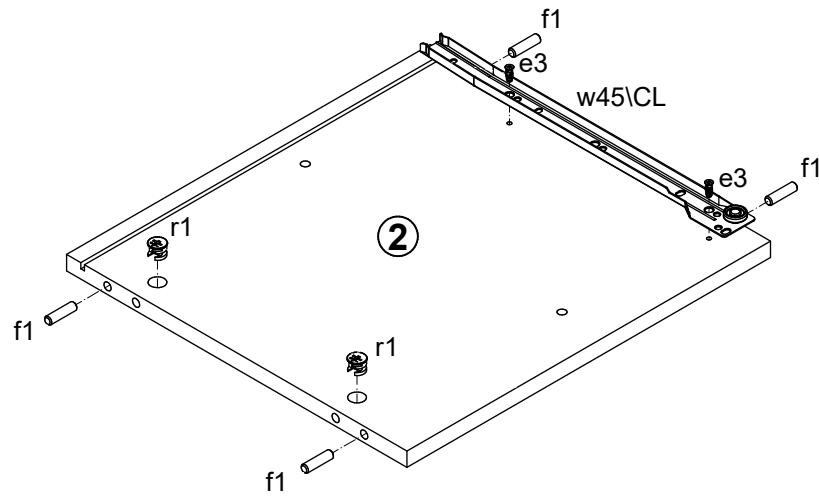
A	B1	B2	C1	C2	C3	D
1	S620-0009	-7	360	198	16	1/1
2	S620-1008	-5	408	382	16	1/1
3	S620-1009	-6	408	366	16	1/1
4	S620-1010	-6	178	362	16	1/1
5	S620-2005	-6	549	400	18	1/1
6	S620-2006	-6	549	400	18	1/1
7	S620-3005	-6	515	362	16	1/1
8	S620-5063	-7	408	22	16	1/1
9	S620-7003	-5	408	182	16	1/1
10	S620-9004	-7	306	357	2,5	1/1
11	S620-9005	-7	418	525	2,5	1/1
12	WSR2-5005	-9	350	110	12	1/1
13	WSR2-5006	-9	350	110	12	1/1
14	ZS7-5072	-3	284	110	15	1/1



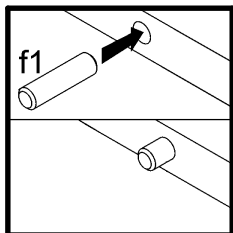
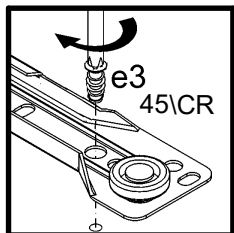
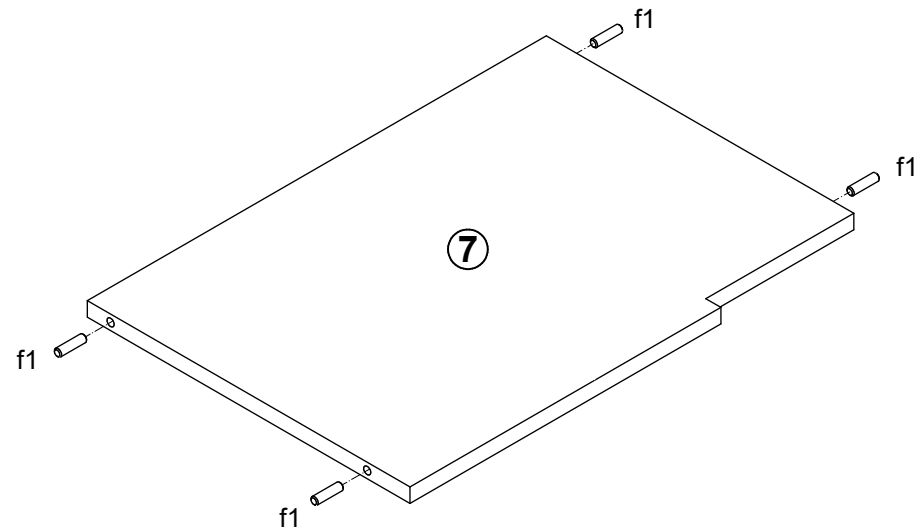
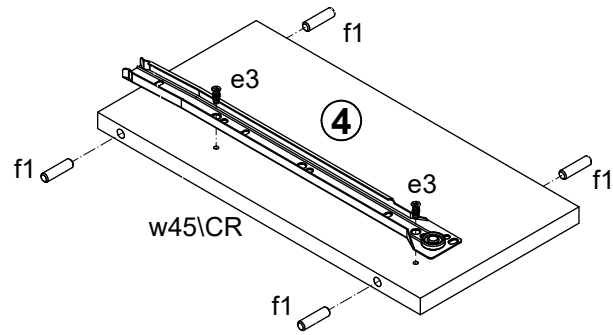
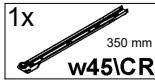
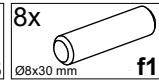
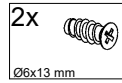


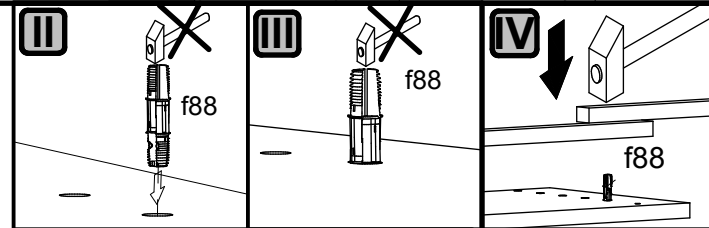
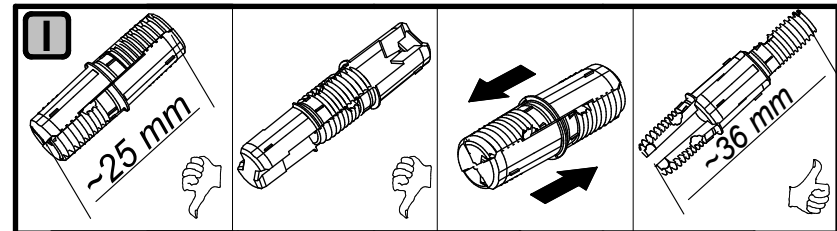
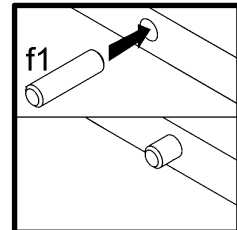
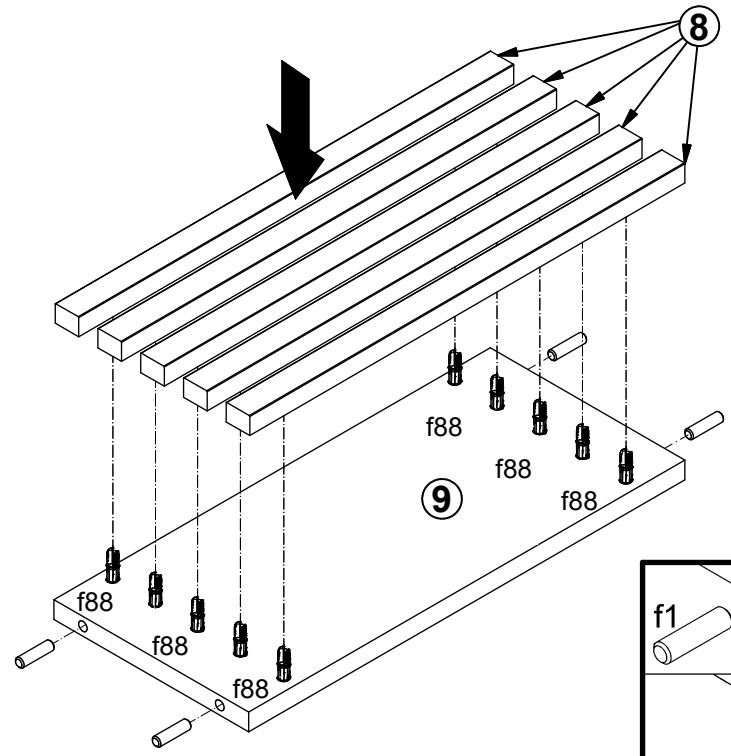
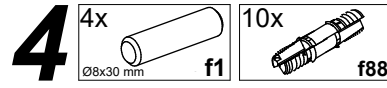
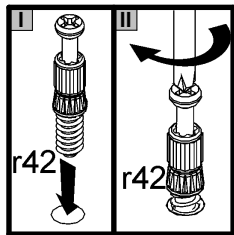
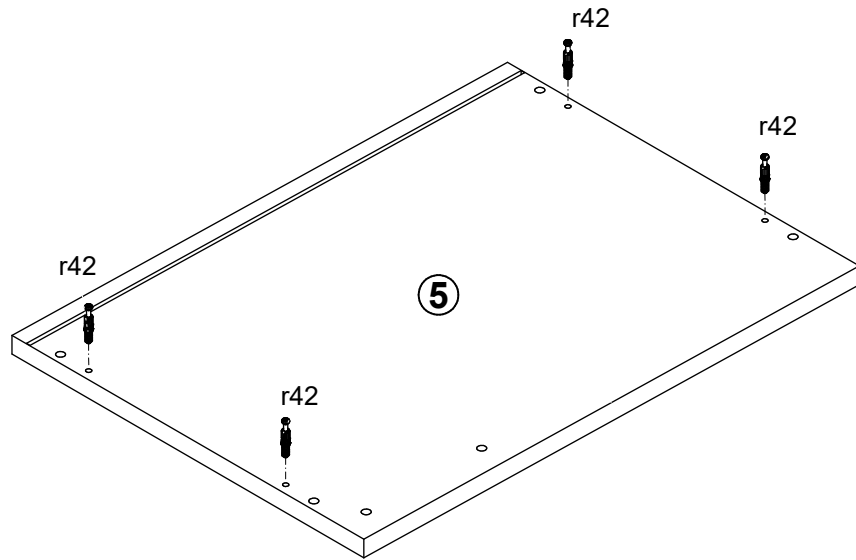
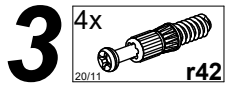


- 1**
- | | | | |
|----------------------|----------------------|---------------------------|------------------------|
| 2x
Ø6x13 mm
e3 | 8x
Ø8x30 mm
f1 | 4x
Ø15x12 mm #16
r1 | 1x
350 mm
w45\CL |
|----------------------|----------------------|---------------------------|------------------------|

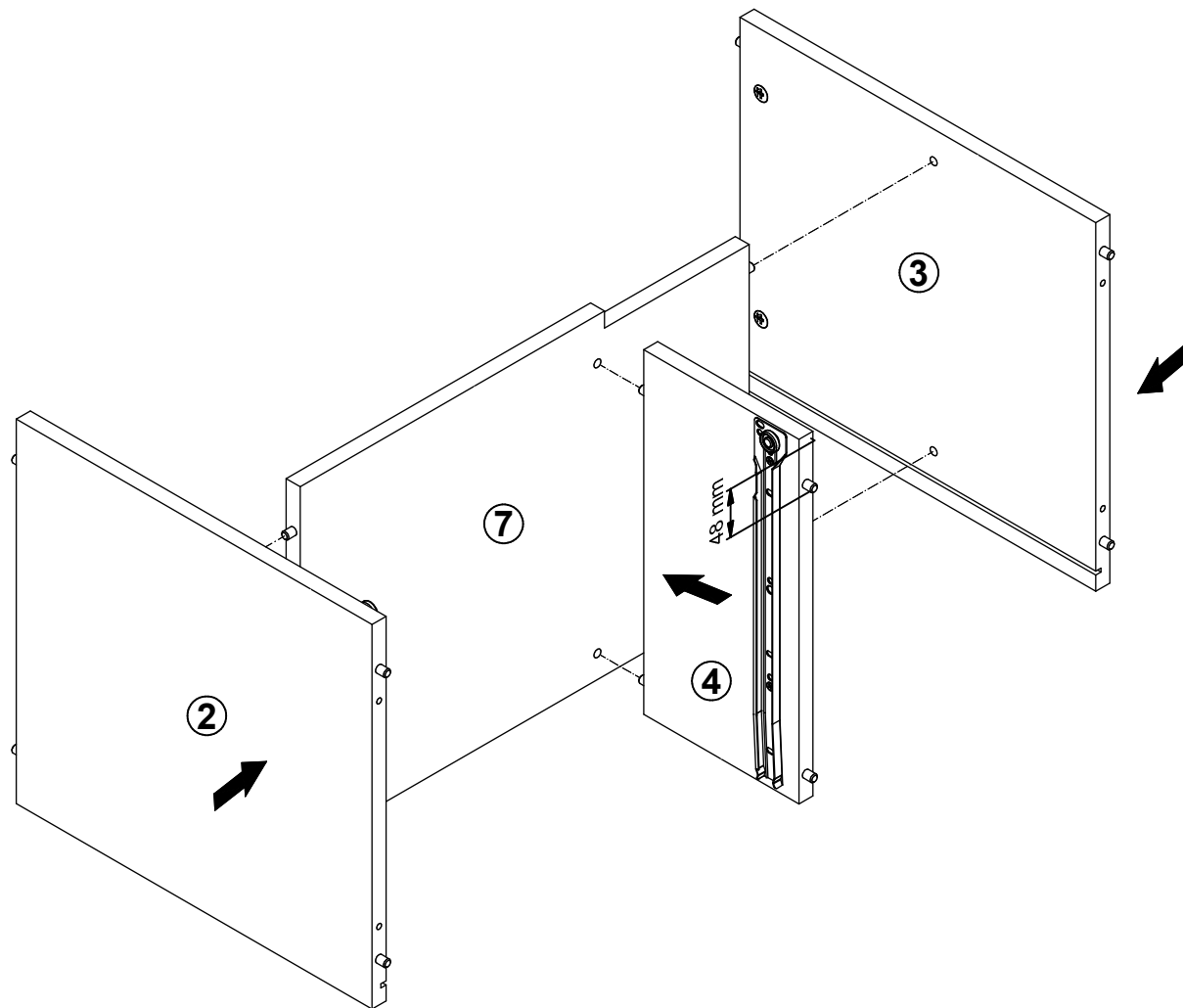


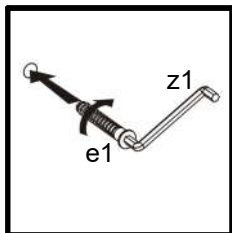
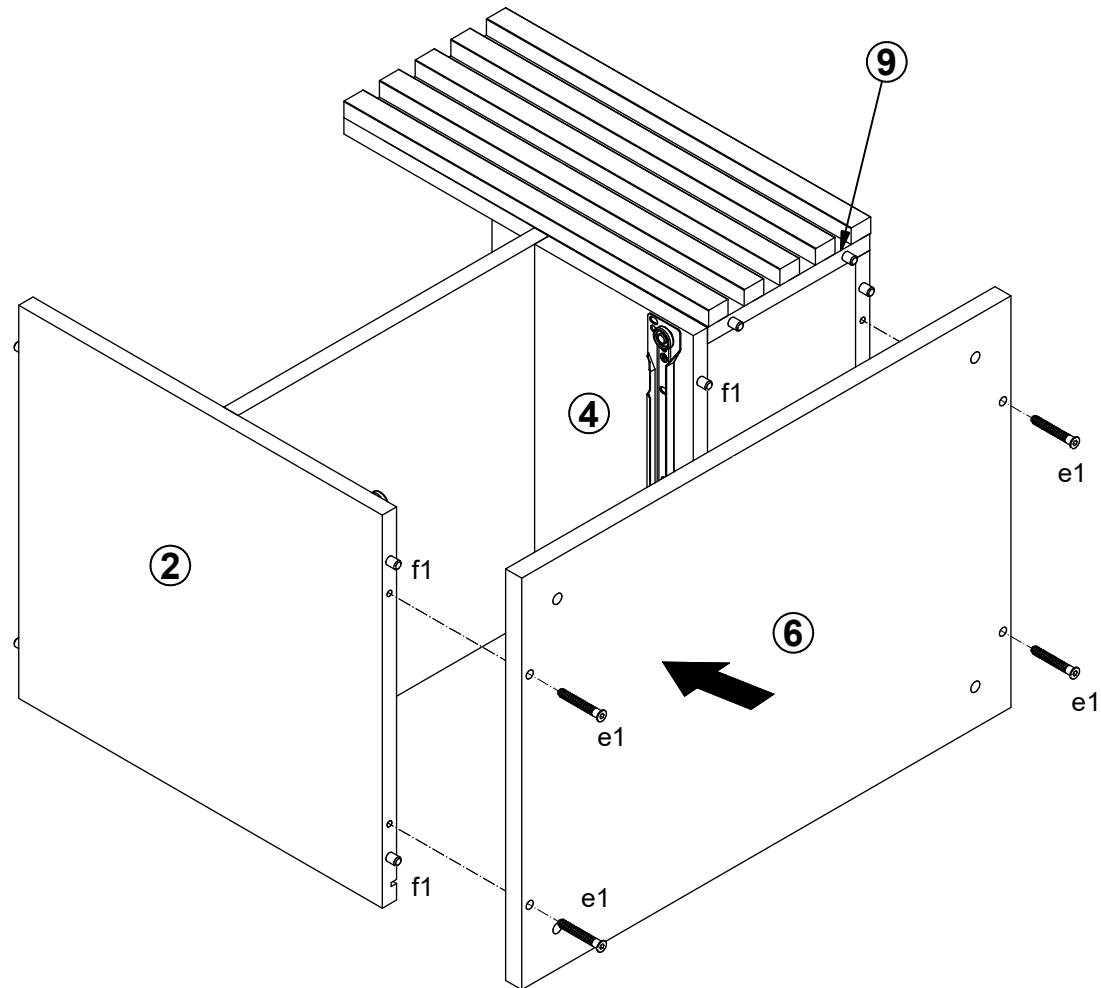
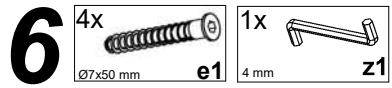
2



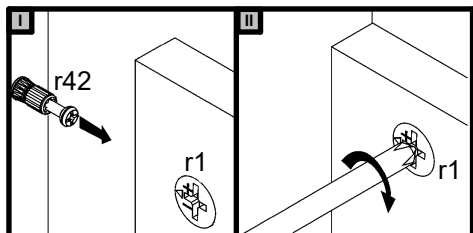
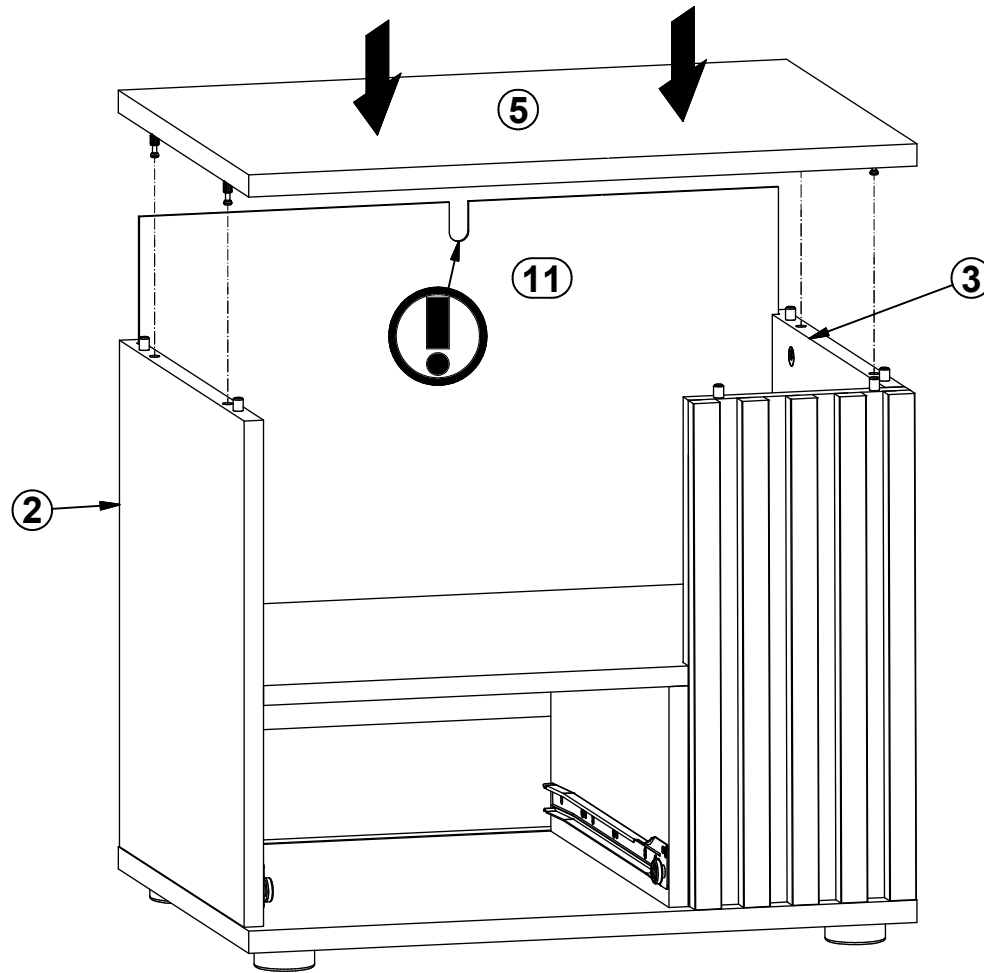


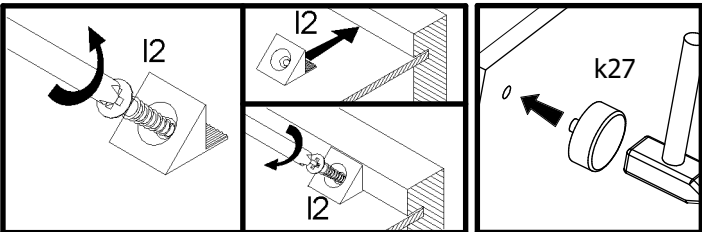
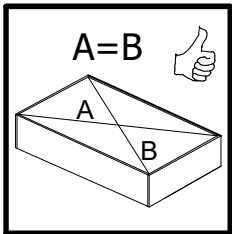
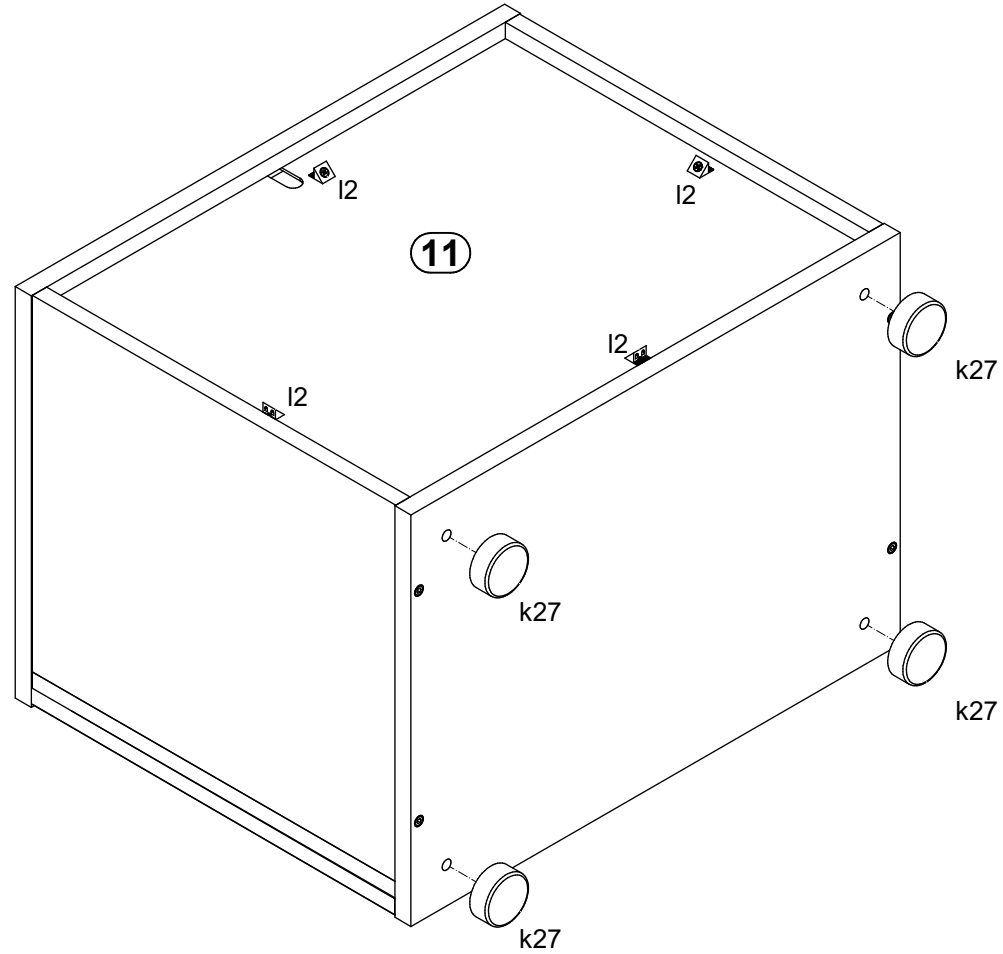
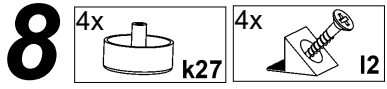
5



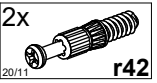
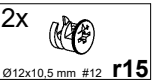
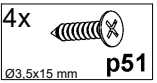
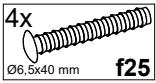
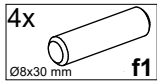
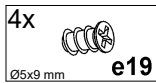


7

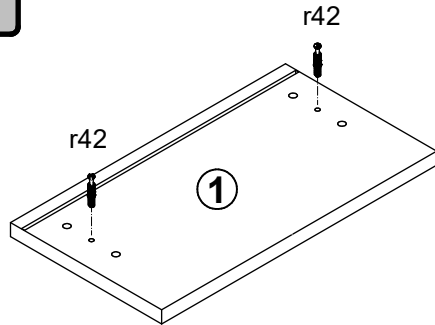




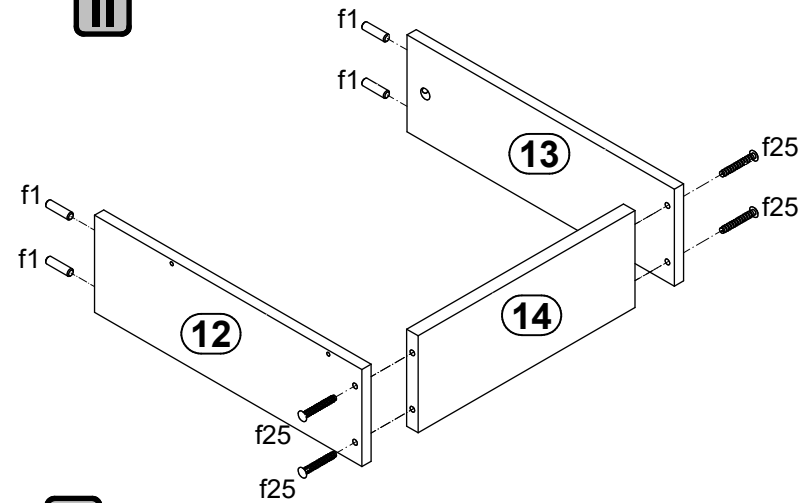
9



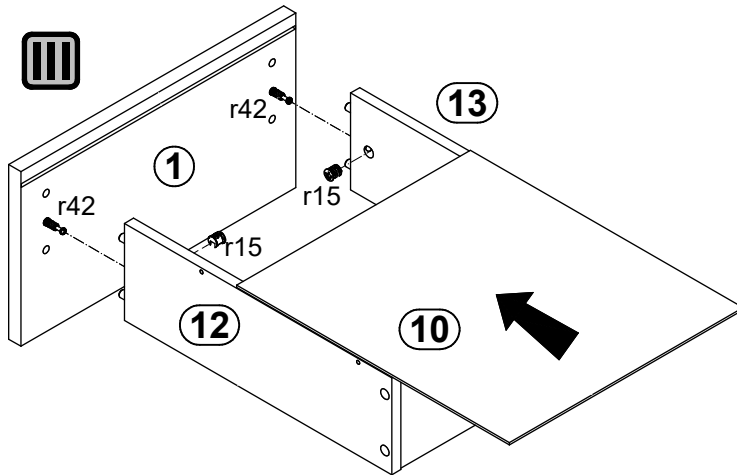
I



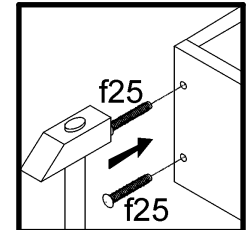
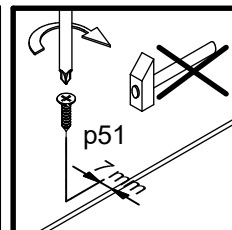
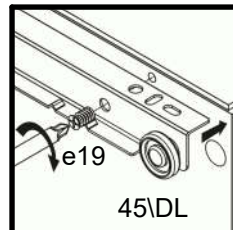
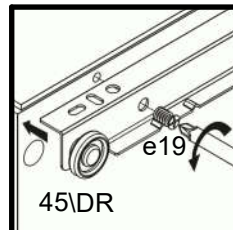
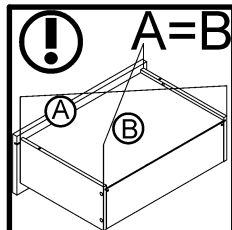
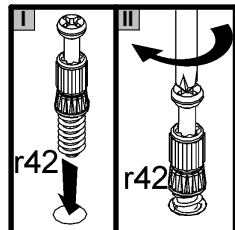
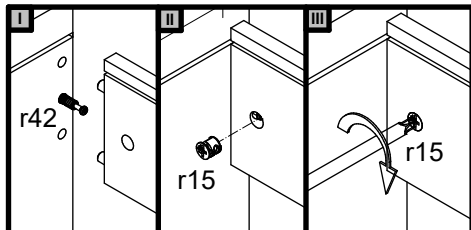
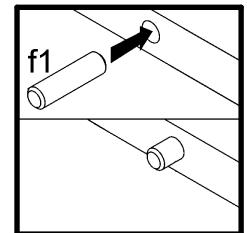
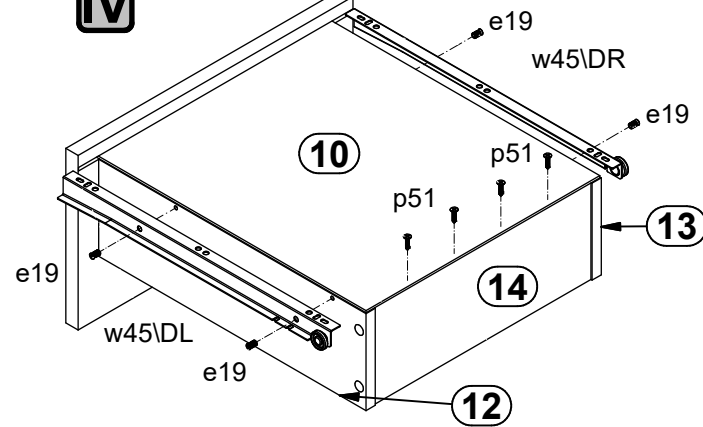
II



III



IV



10

