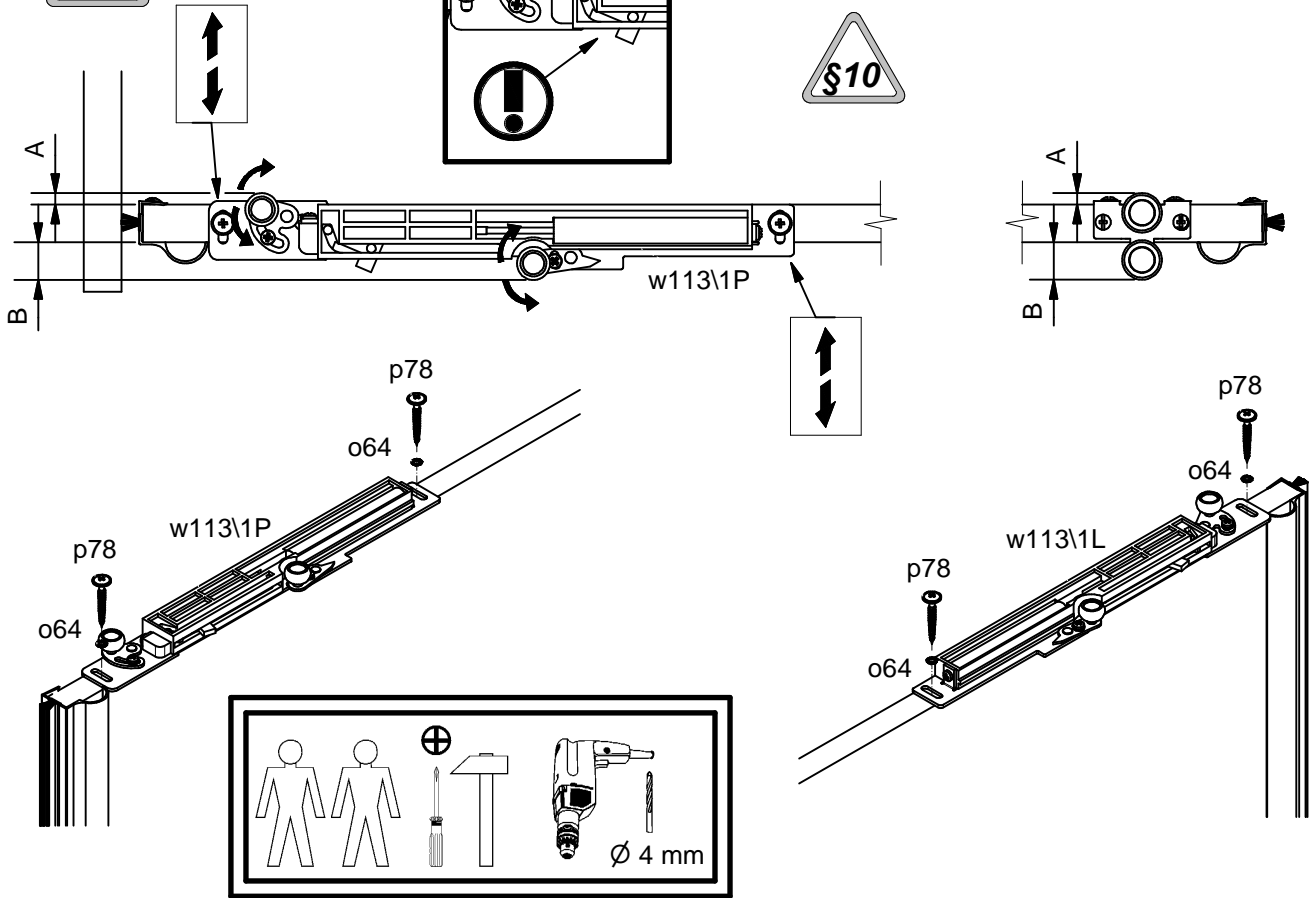


# SAMODOMYKACZ

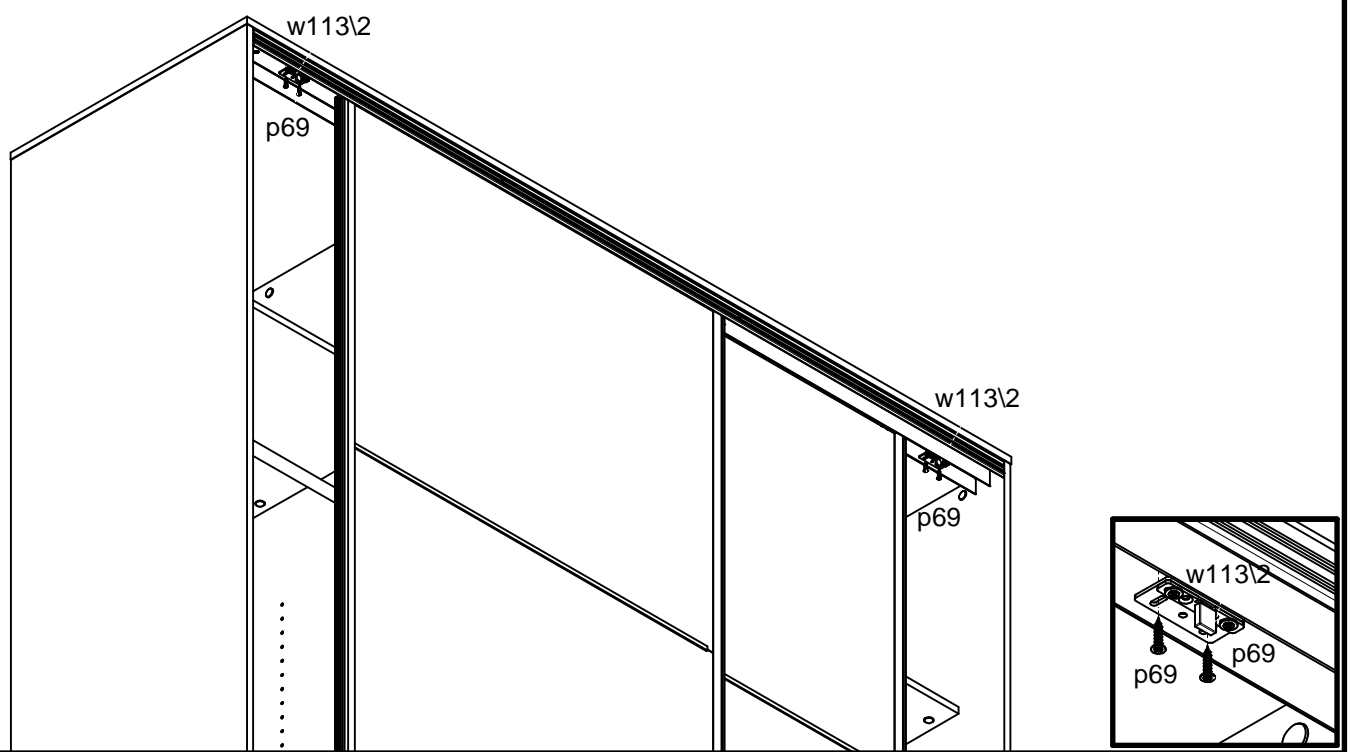
**1** §2



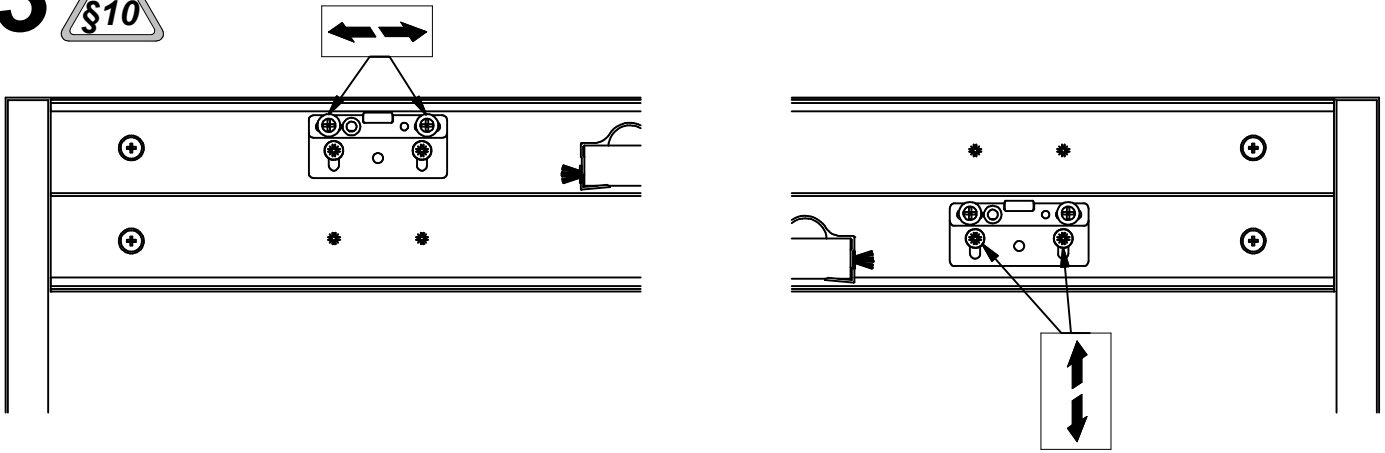
4x Ø8/Ø4,5 mm <b>o64</b>	1x <b>w113\1L</b>	1x <b>w113\1P</b>	2x <b>w113\2</b>	4x Ø8/Ø4,5 mm <b>o64</b>	1x <b>w113\1L</b>	1x <b>w113\1P</b>	2x <b>w113\2</b>
2x Ø4x18 mm <b>p18</b>	6x Ø4x16 mm <b>p69</b>	4x Ø3,5x30 mm <b>p78</b>		2x Ø4x18 mm <b>p18</b>	6x Ø4x16 mm <b>p69</b>	4x Ø3,5x30 mm <b>p78</b>	

§14

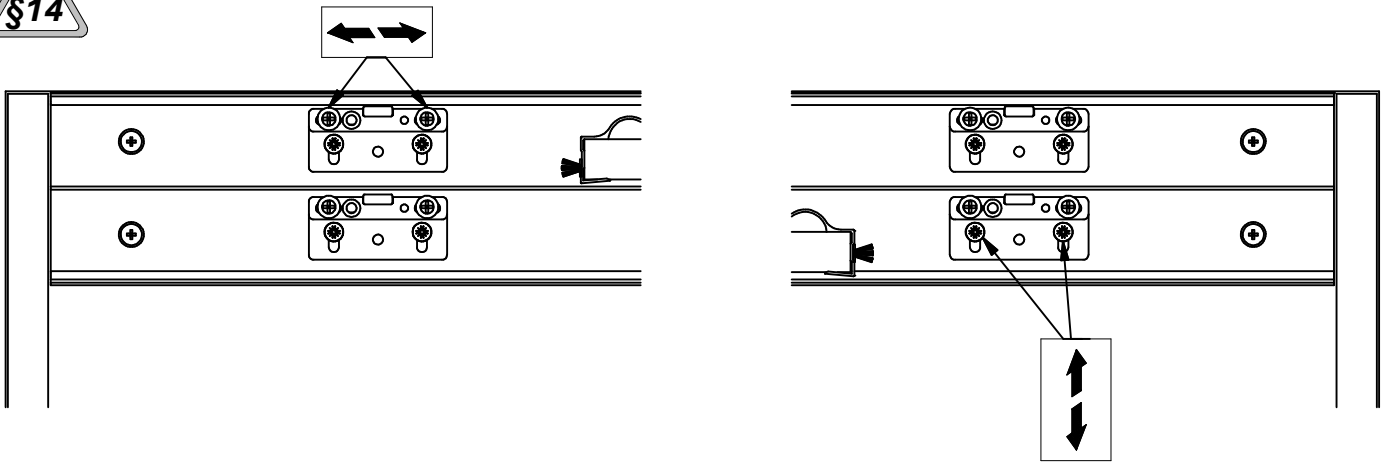
**2**



**3** §10



§14



**4**

