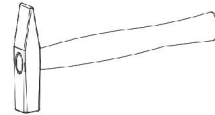
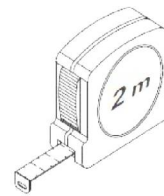
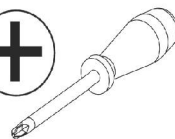
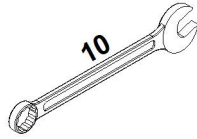
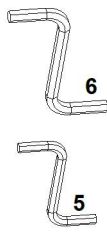
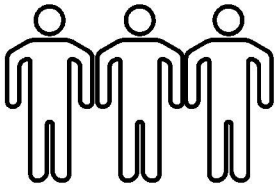
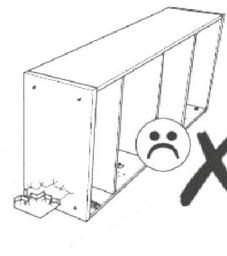
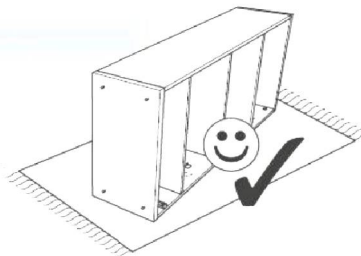
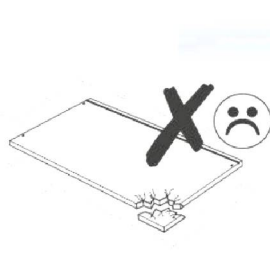
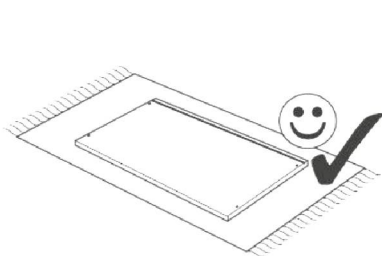
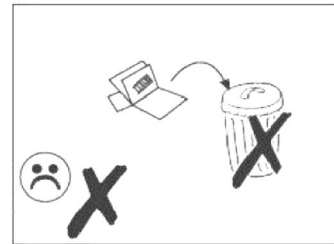
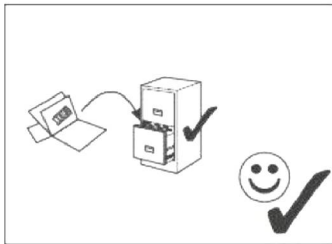
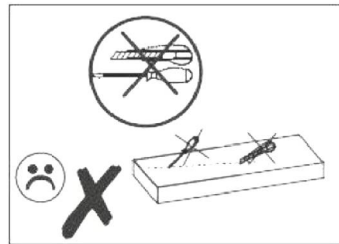
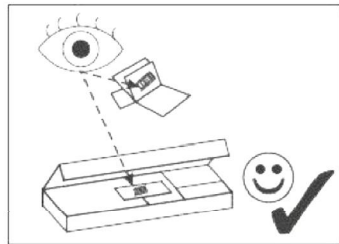
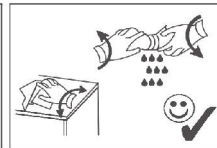
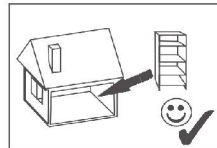
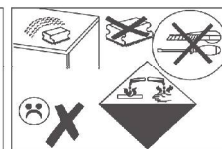
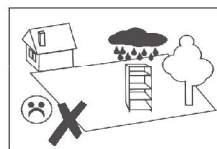
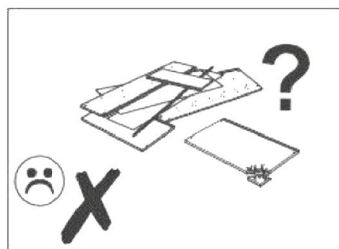
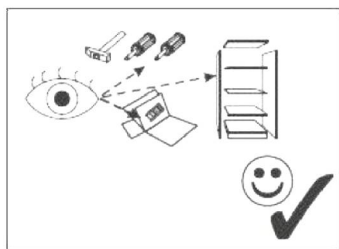
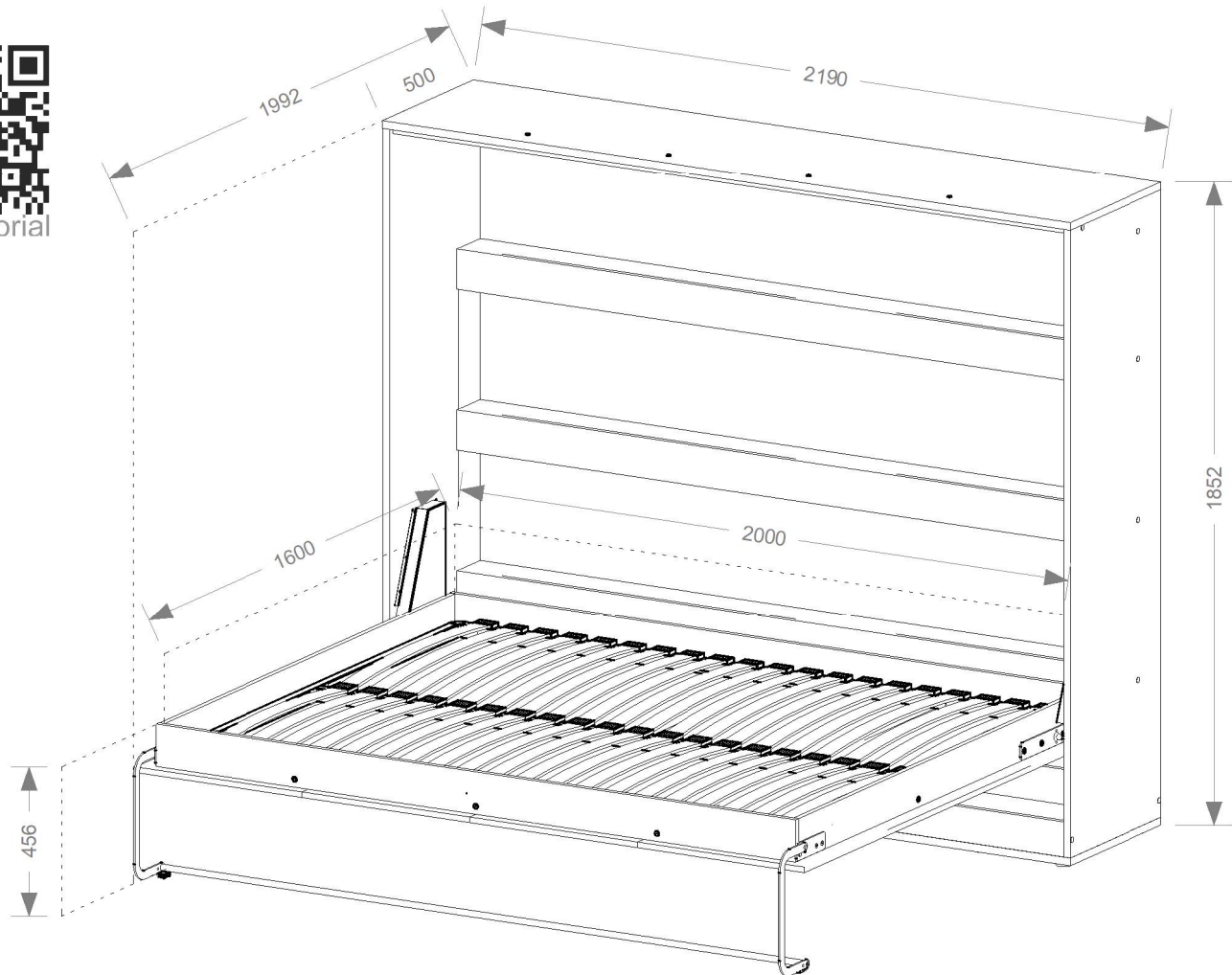


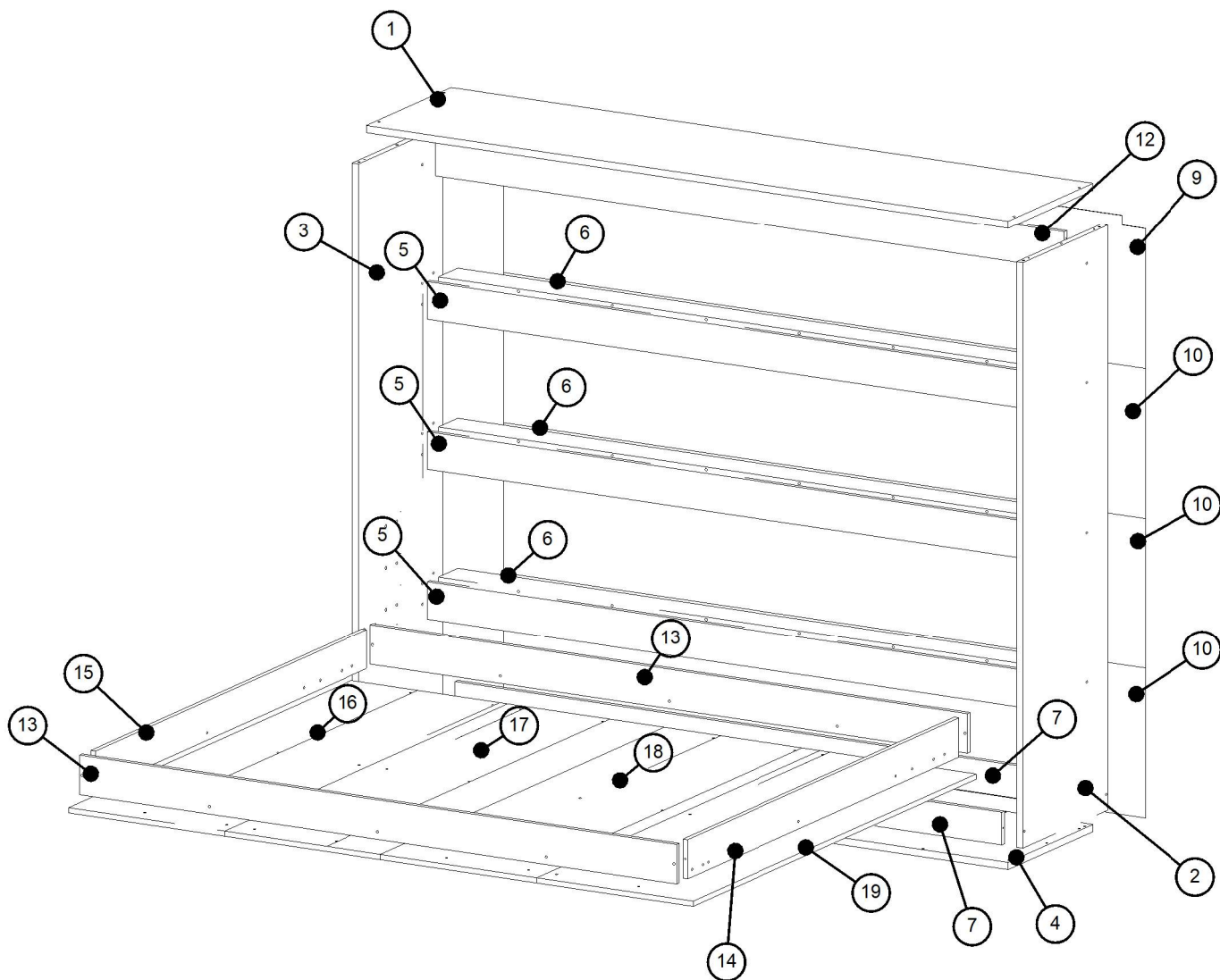


240 min

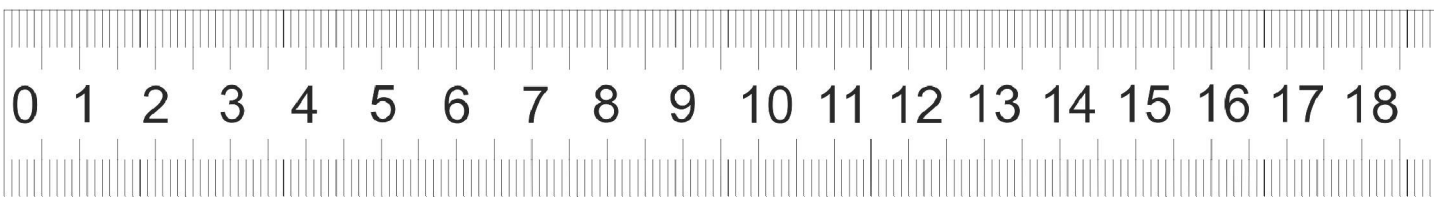
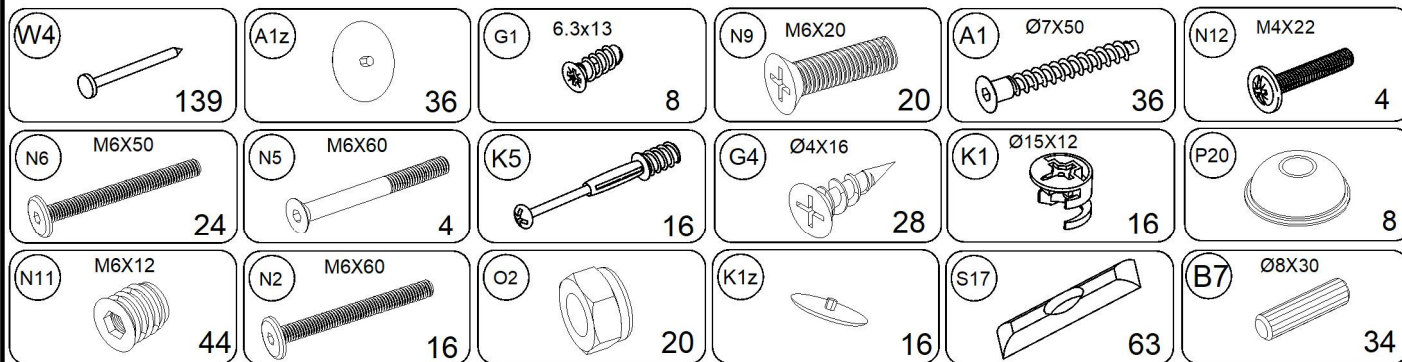


video tutorial

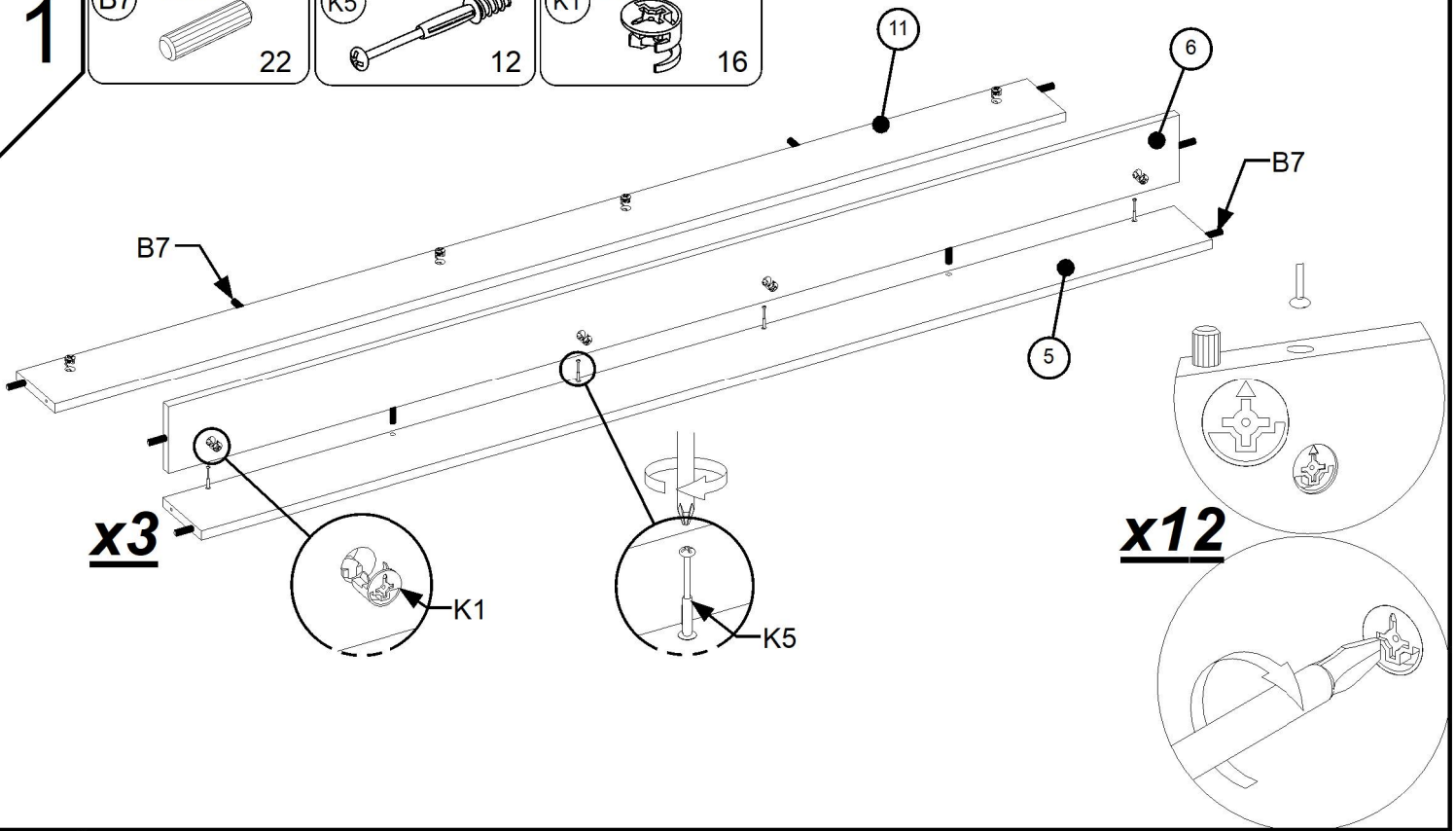
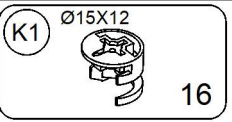
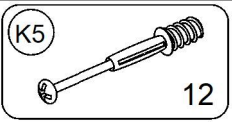
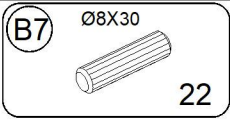




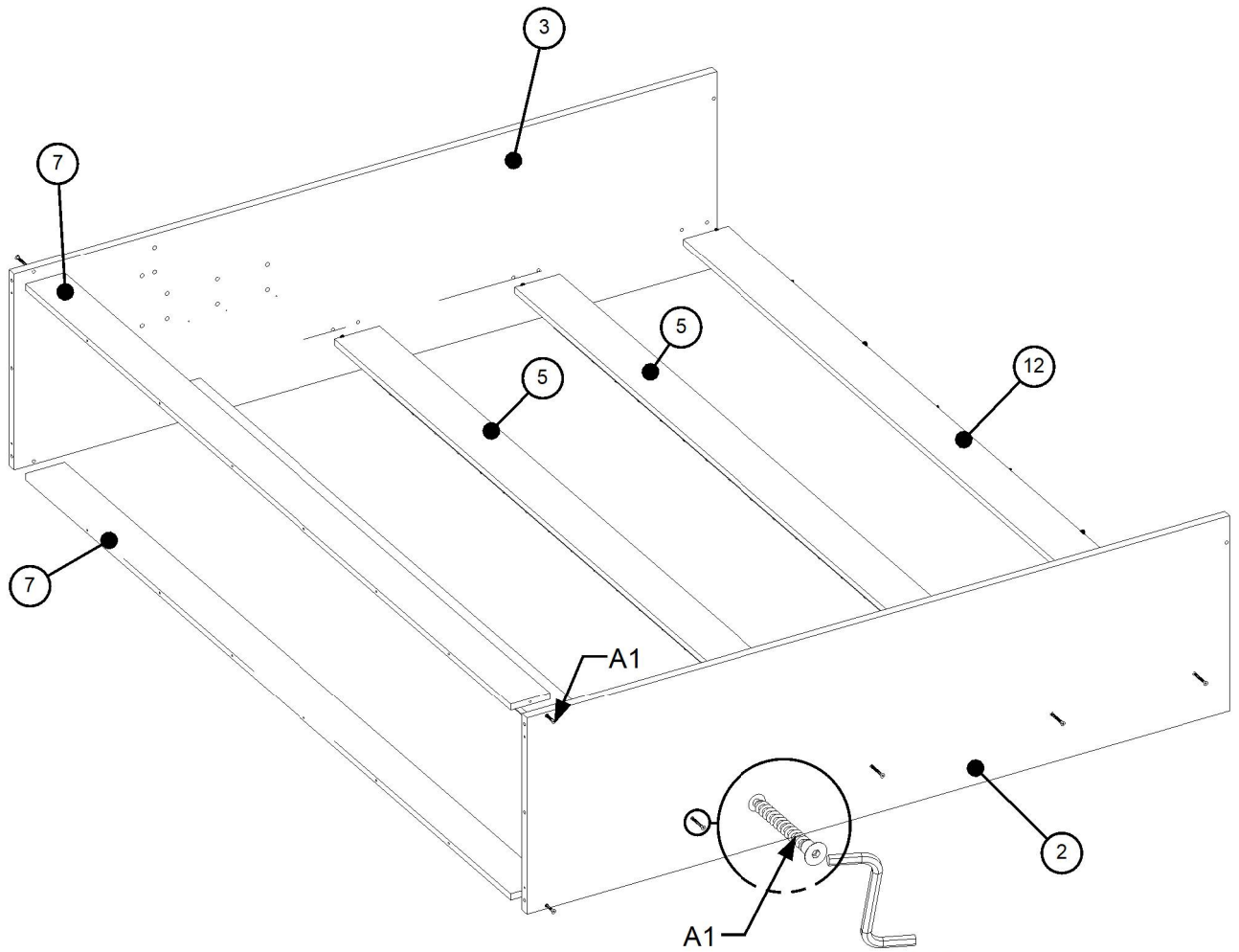
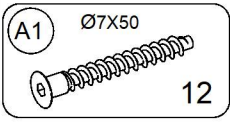
<b>1/6</b>	1, 5, 6, 8, 9, 10, assembly instructions
<b>2/6</b>	4, 7, 12, 13
<b>3/6</b>	2, 3, 14, 15
<b>4/6</b>	16, 17, 18, 19
<b>5/6</b>	Steel frame, mechanism, fittings
<b>6/6</b>	Handle, LED lights



1



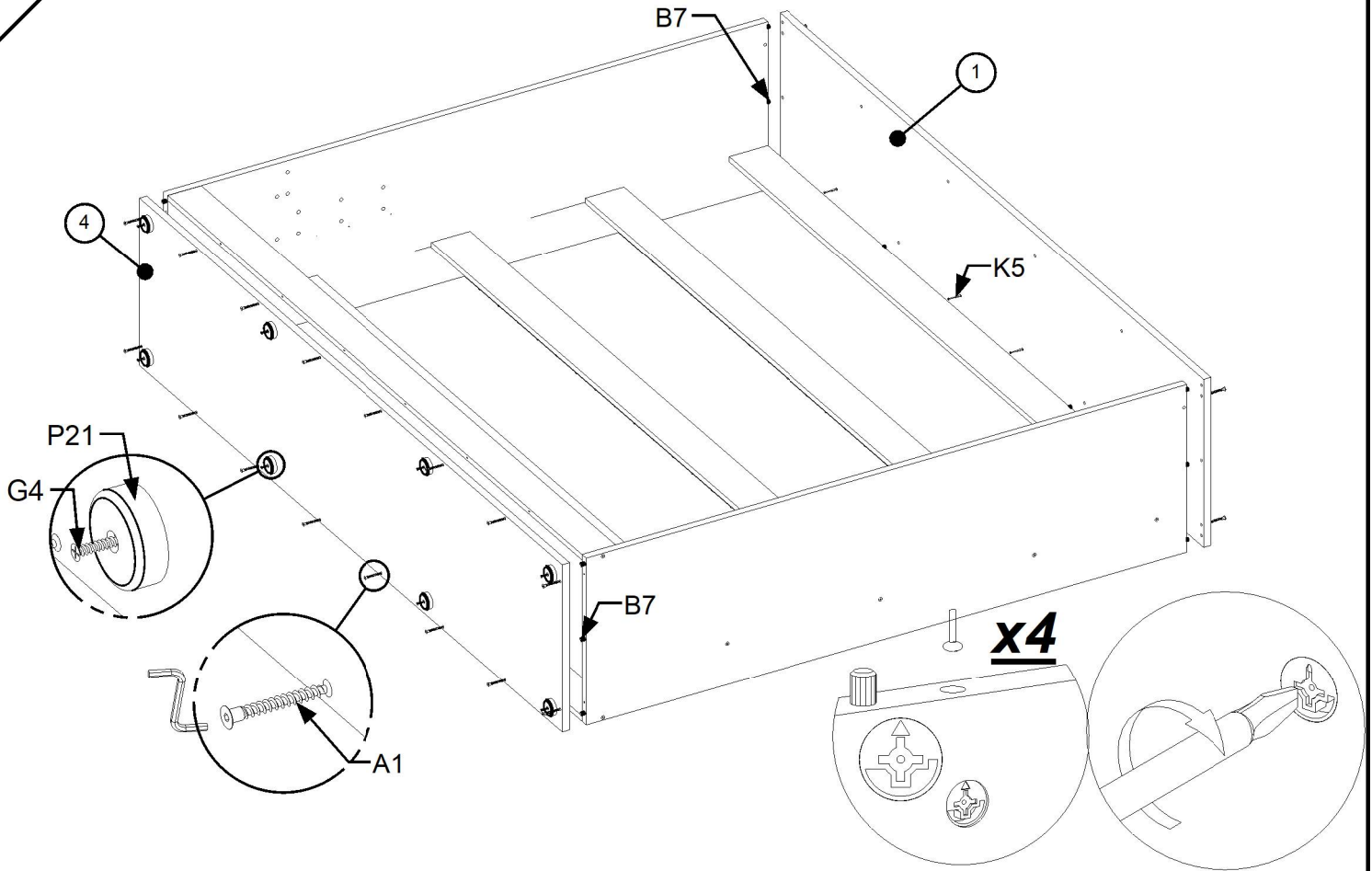
2



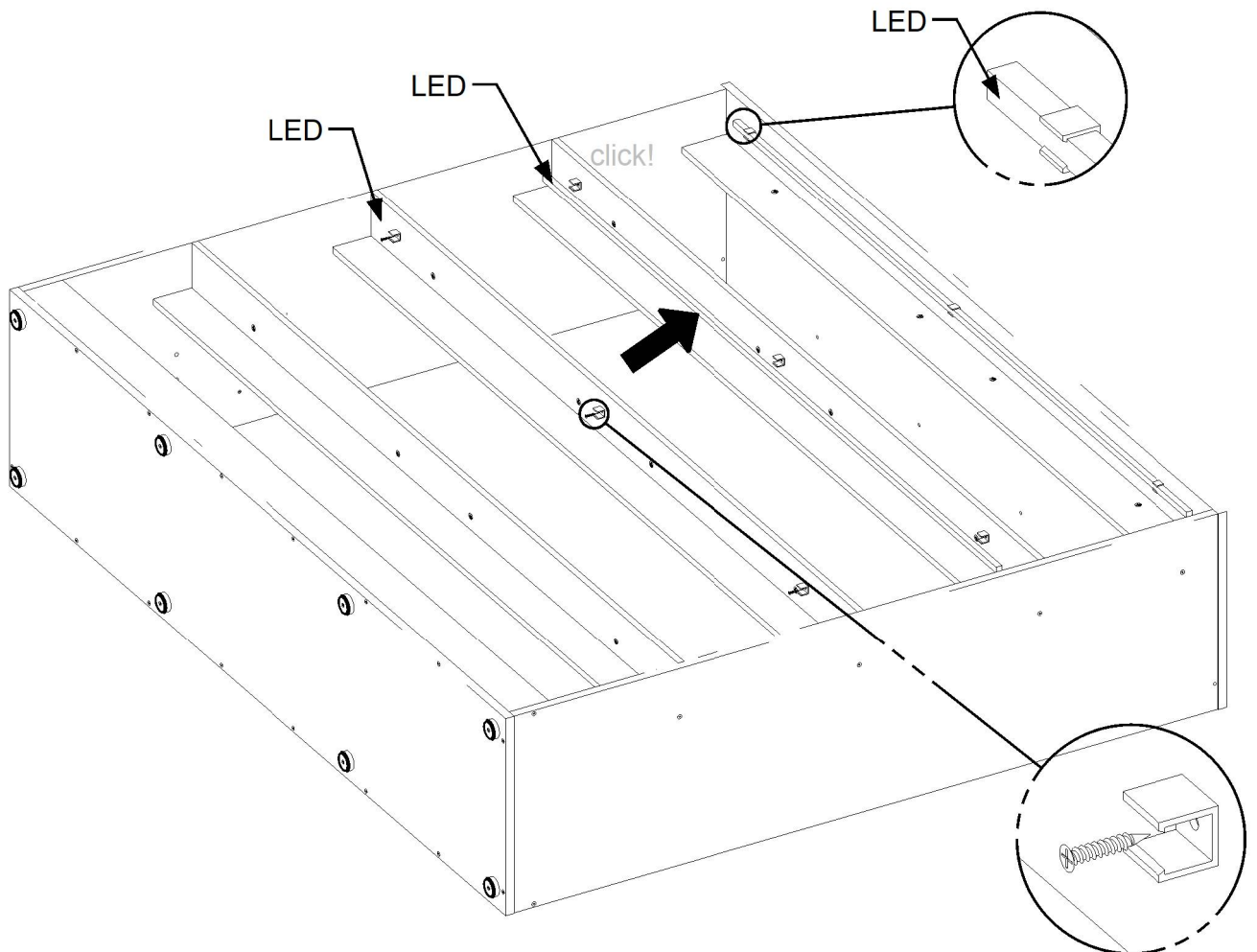
3

# 3

- B7** Ø8X30 12
- P20** 8
- G4** Ø4X16 8
- K5** 4
- A1** Ø7X50 20



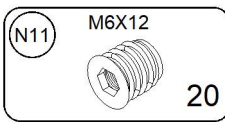
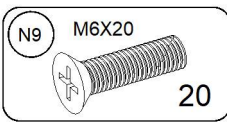
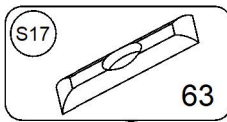
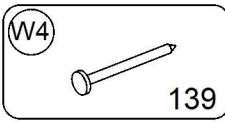
# 4



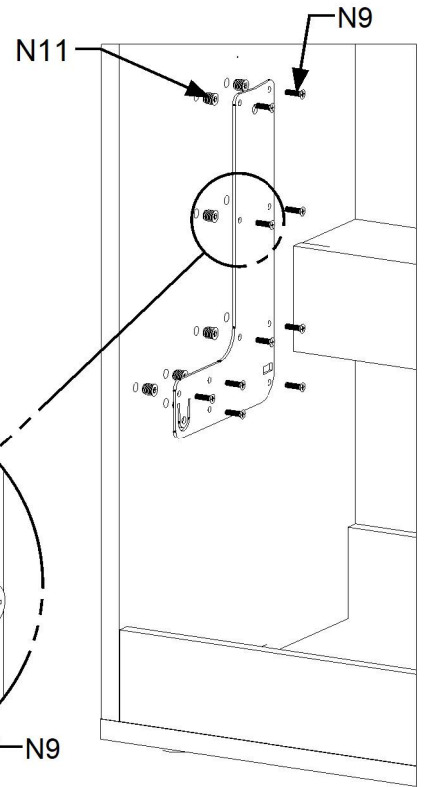
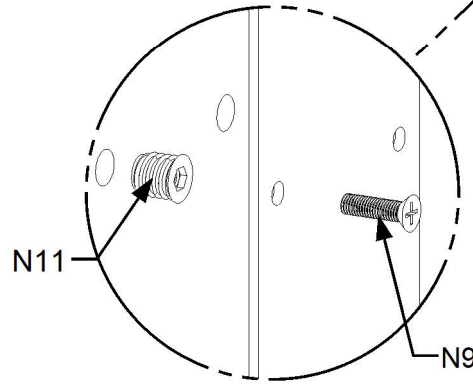
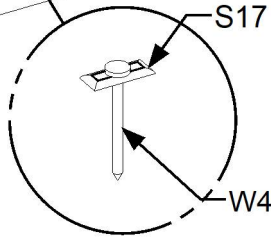
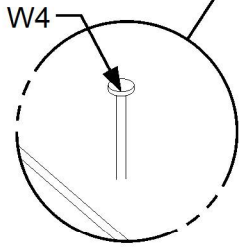
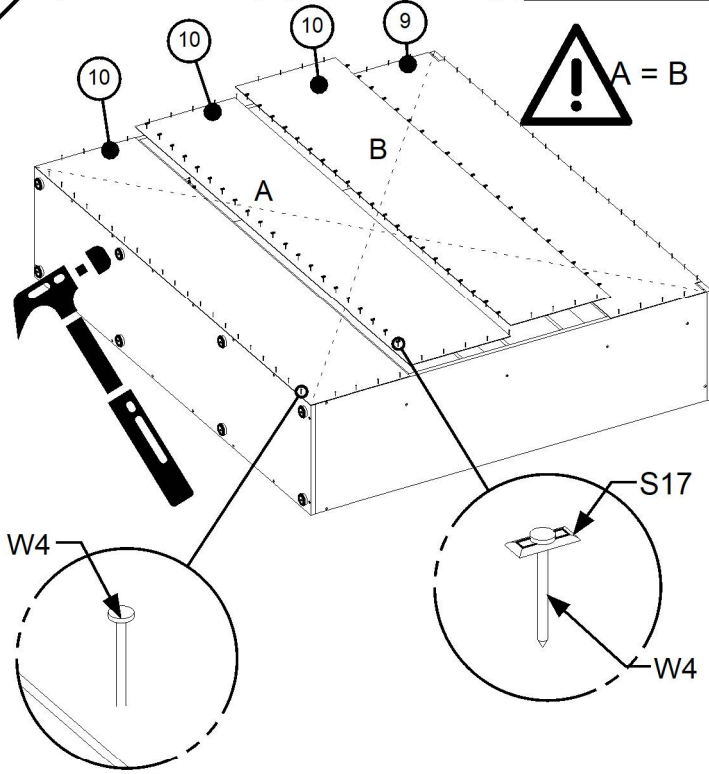
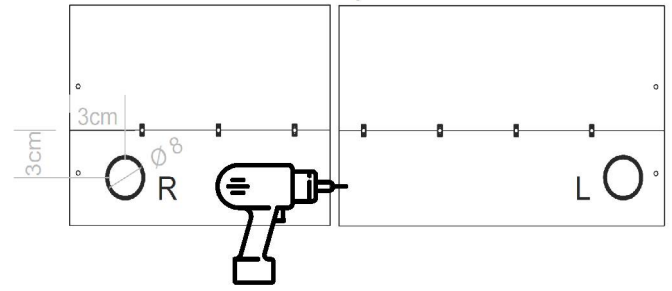
# 4



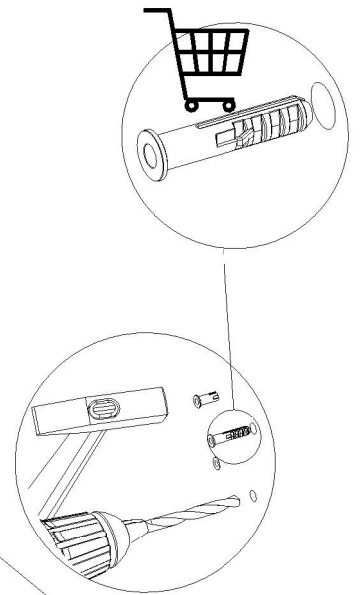
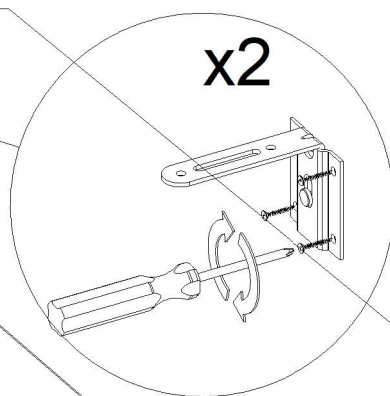
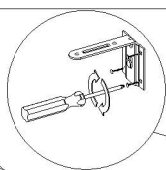
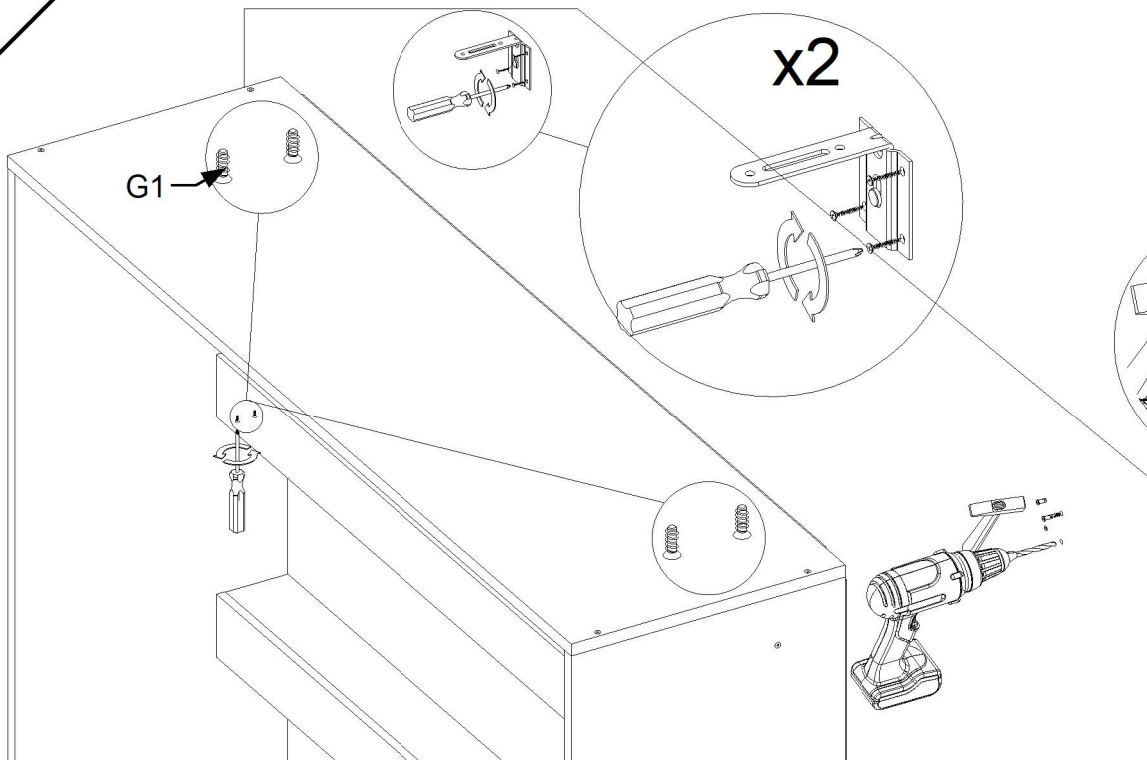
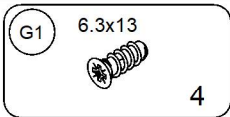
5



top

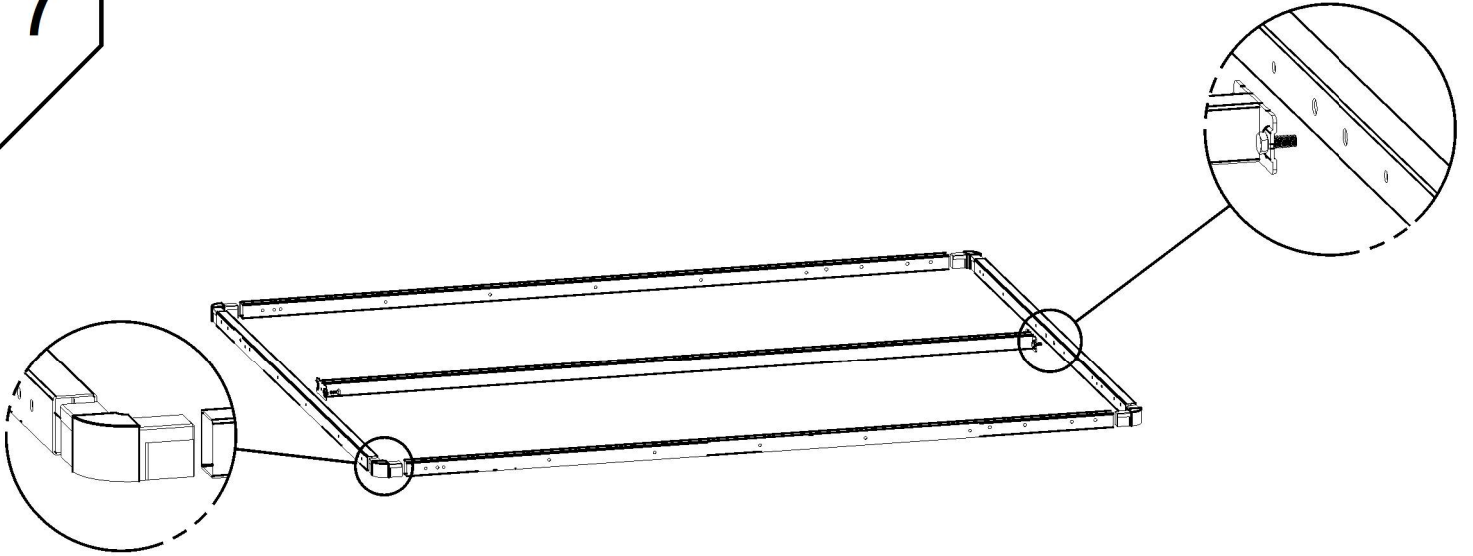


6



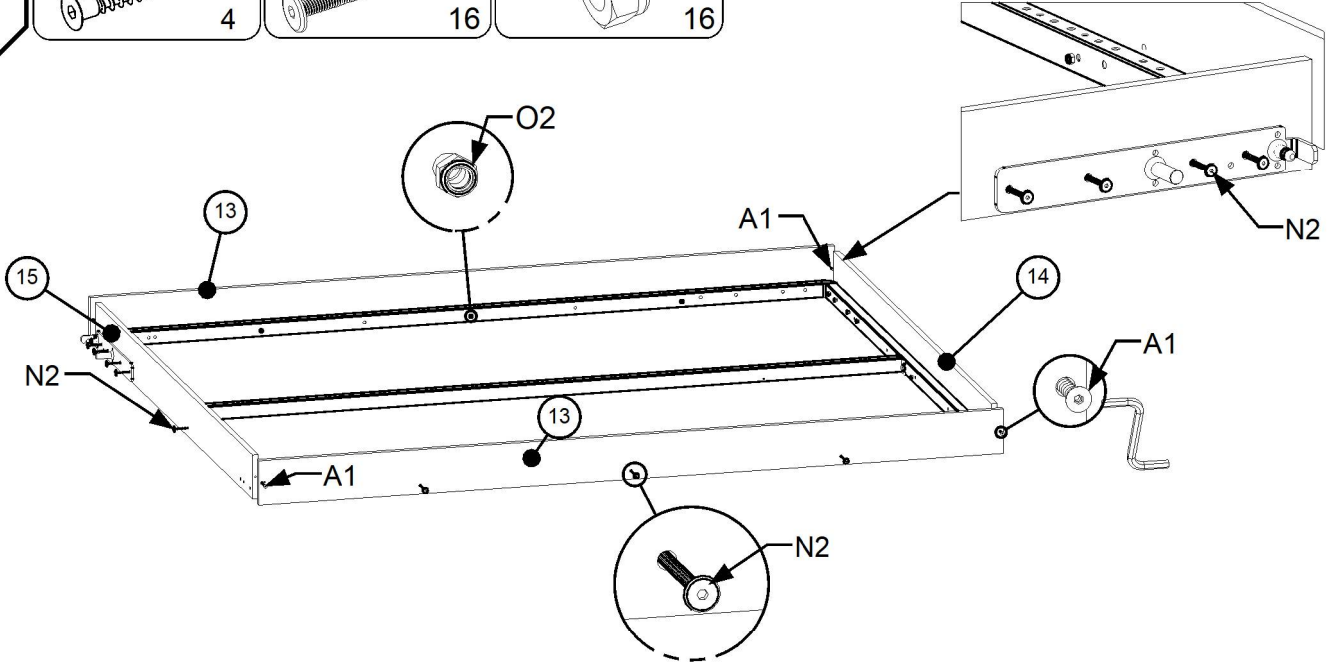
5

7



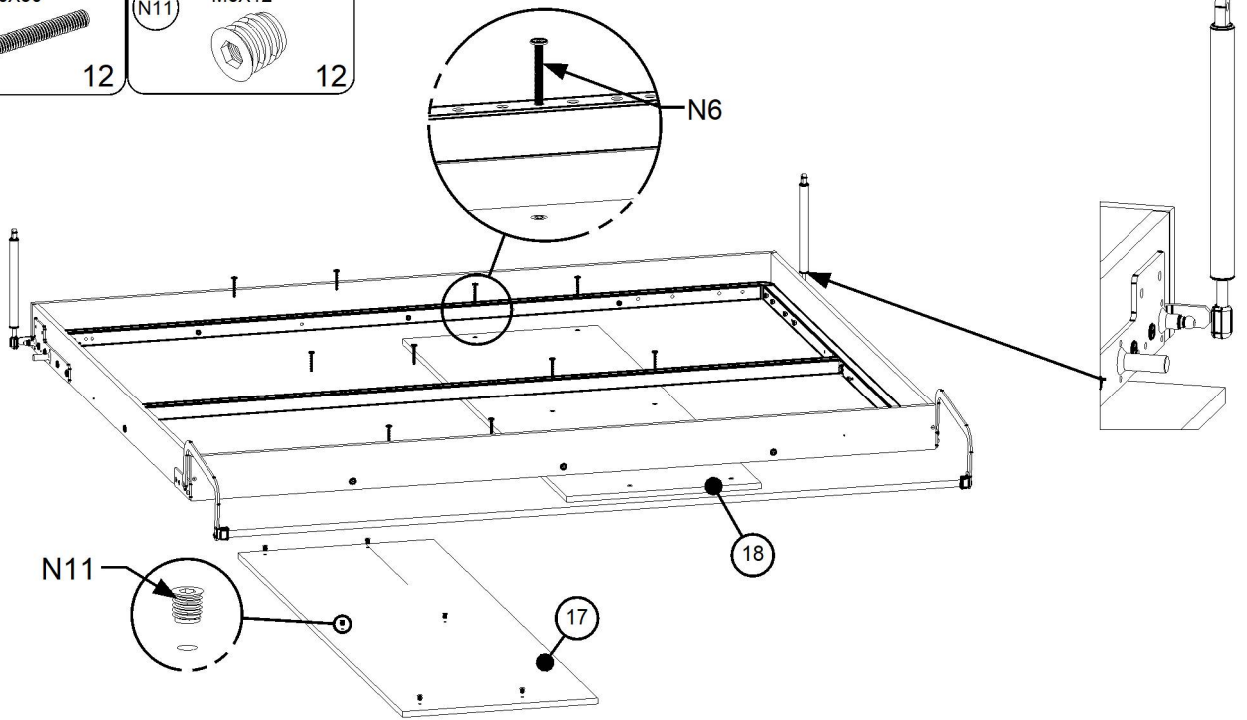
8

- A1  $\varnothing 7 \times 50$   
4
- N2 M6X60  
16
- O2  
16



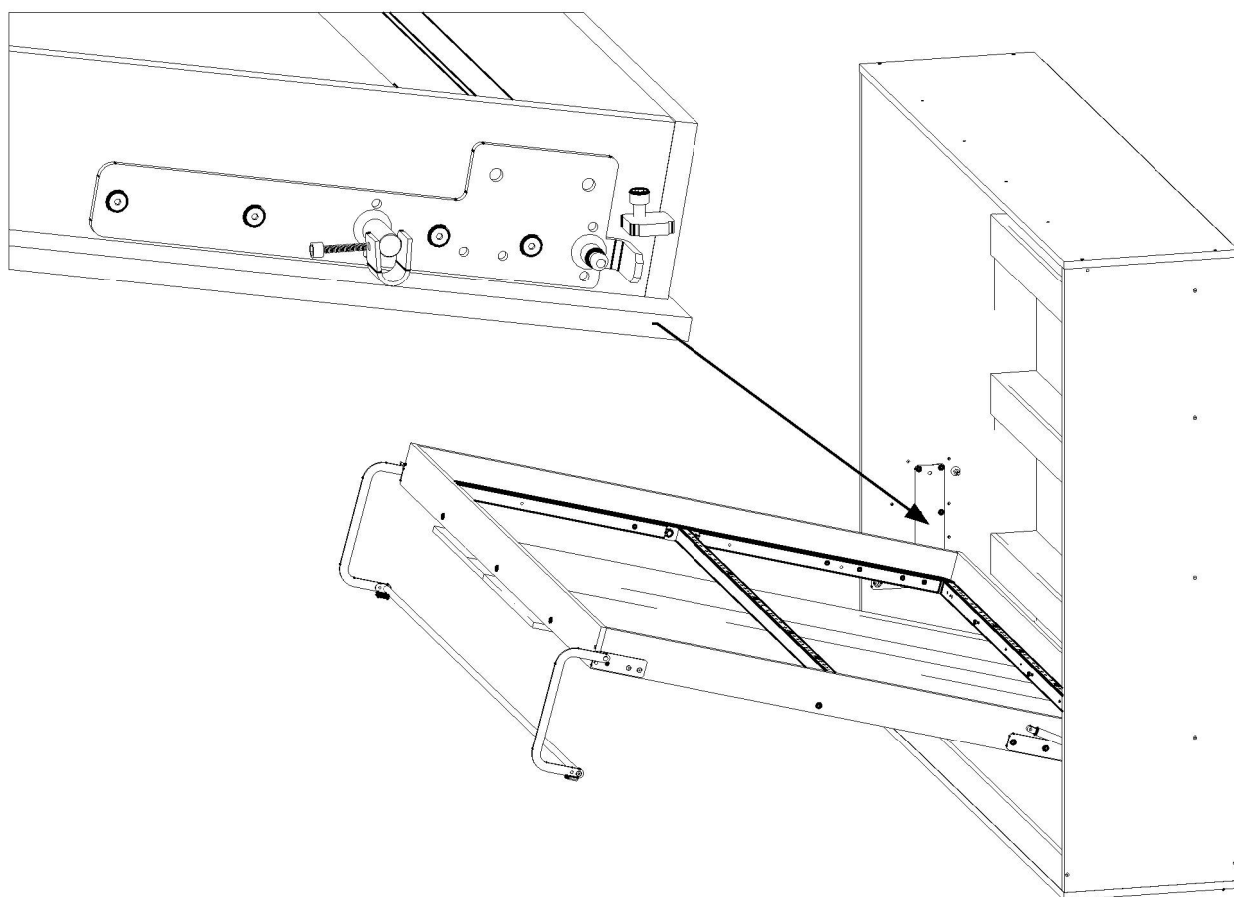
9

- N6 M6X50  
12
- N11 M6X12  
12

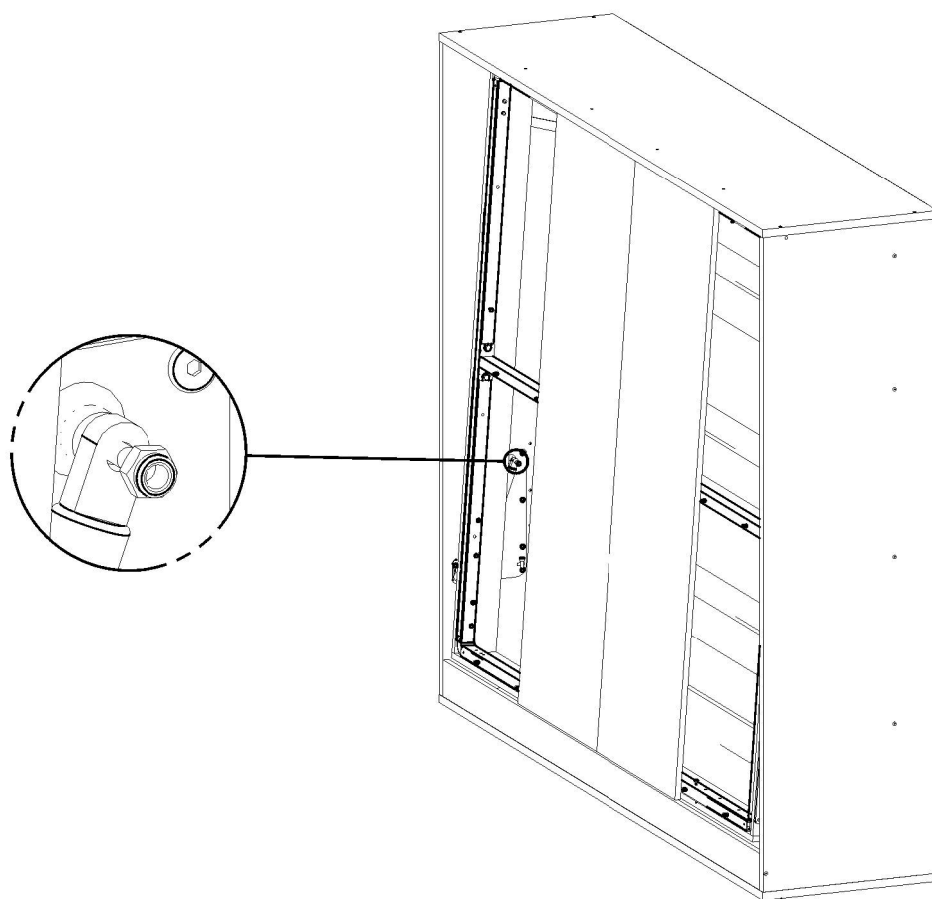


6

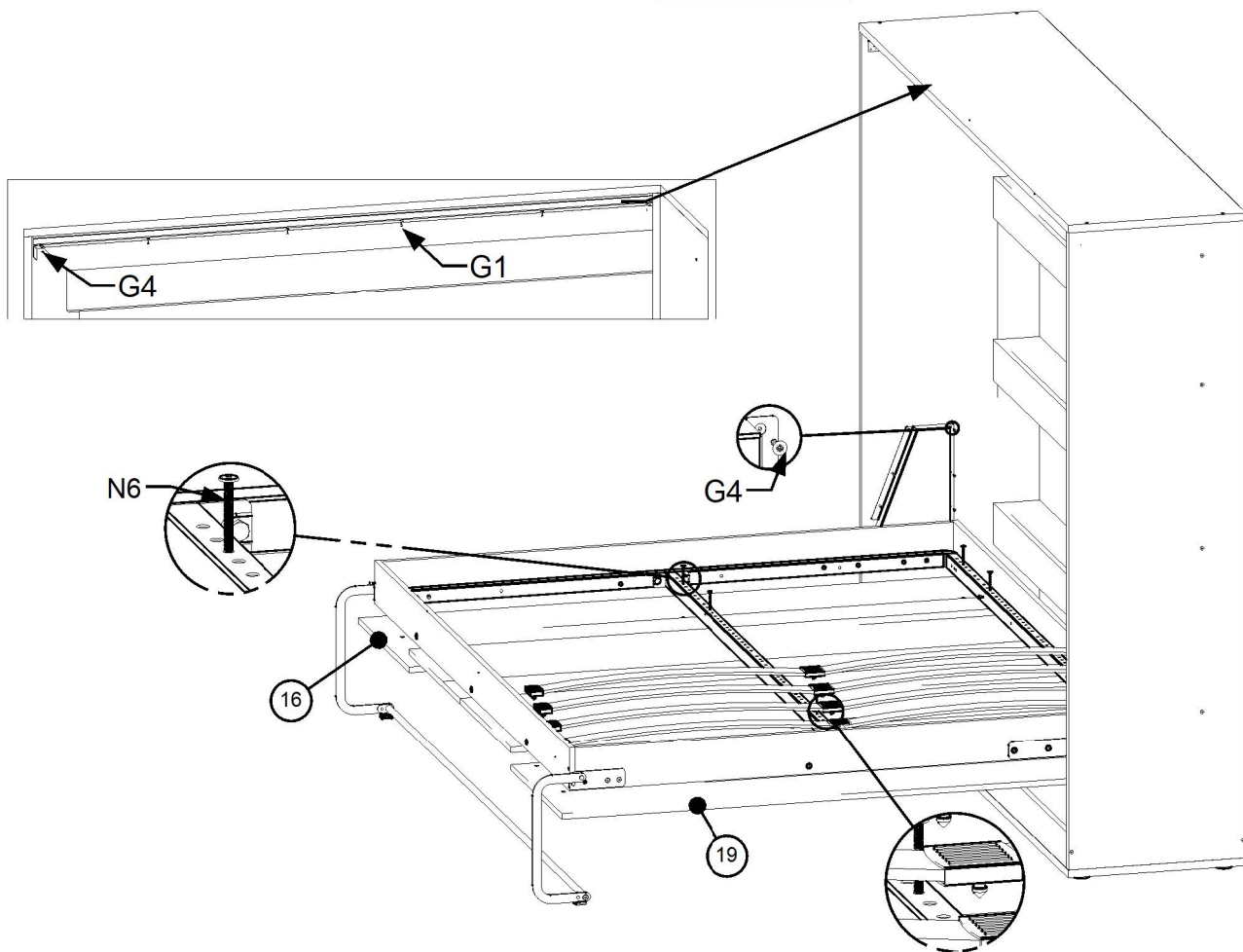
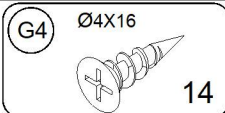
10



11



# 12



# 13

