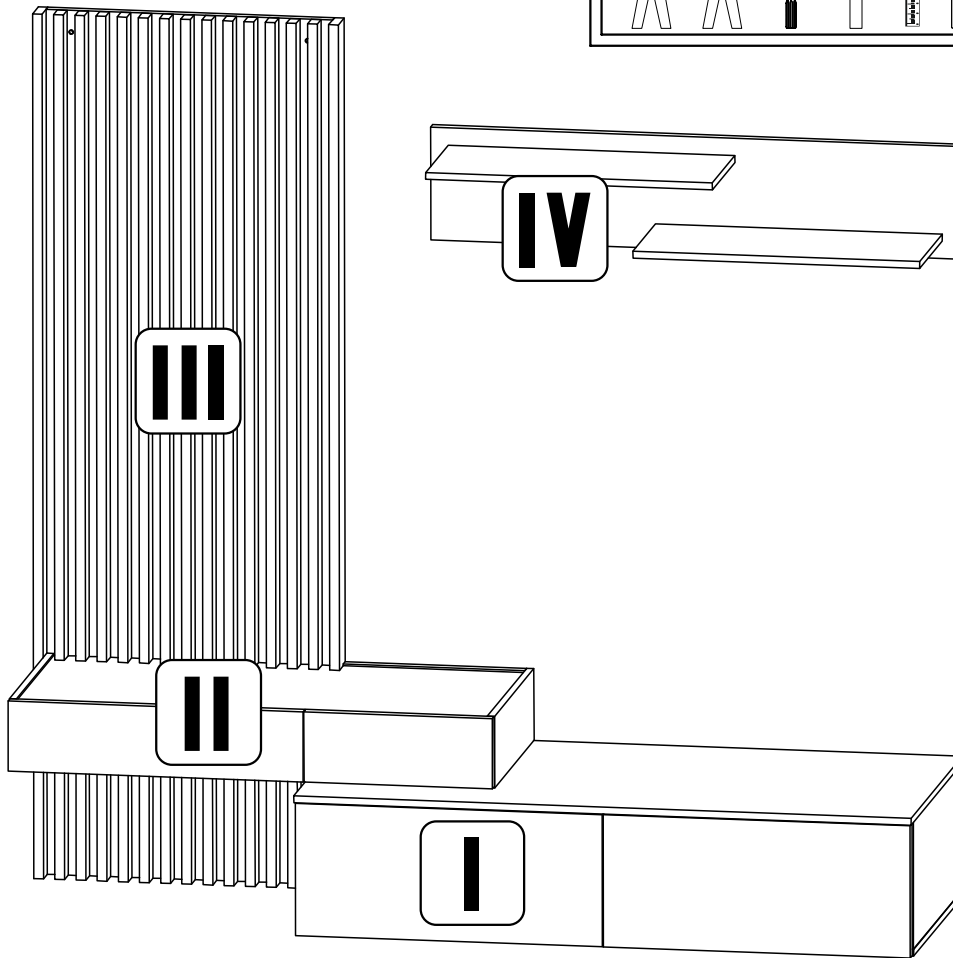
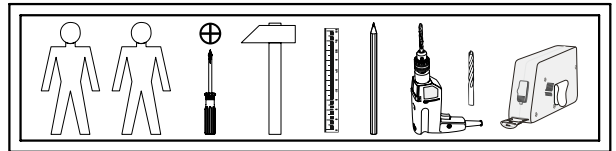
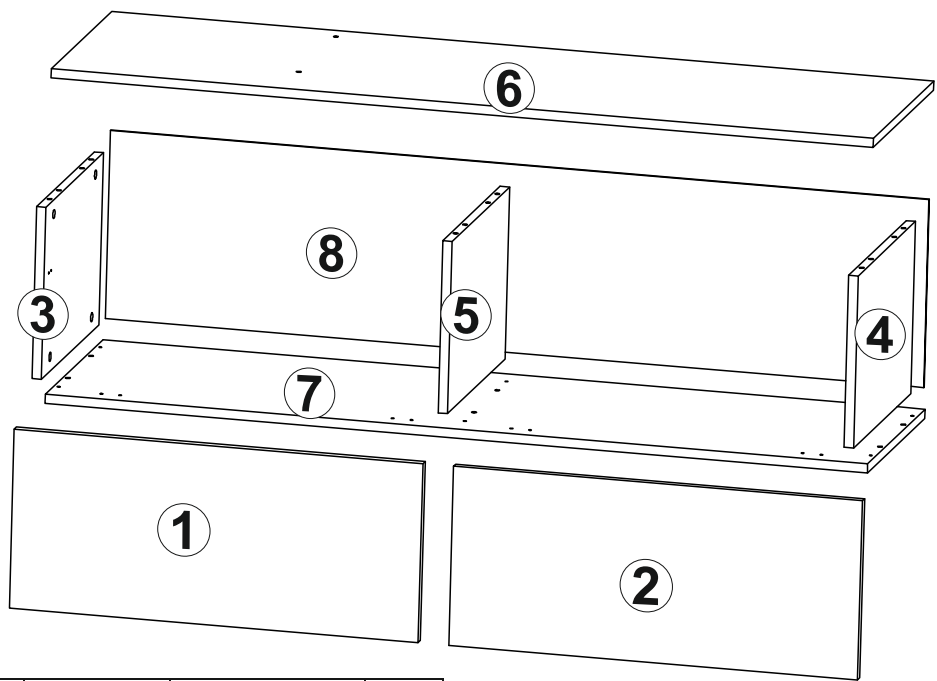


# Ребека / Rebeka



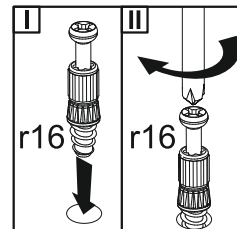
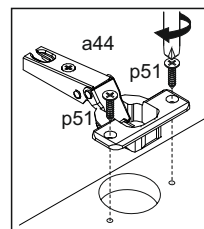
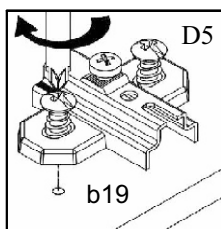
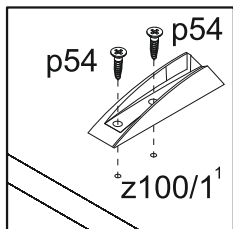
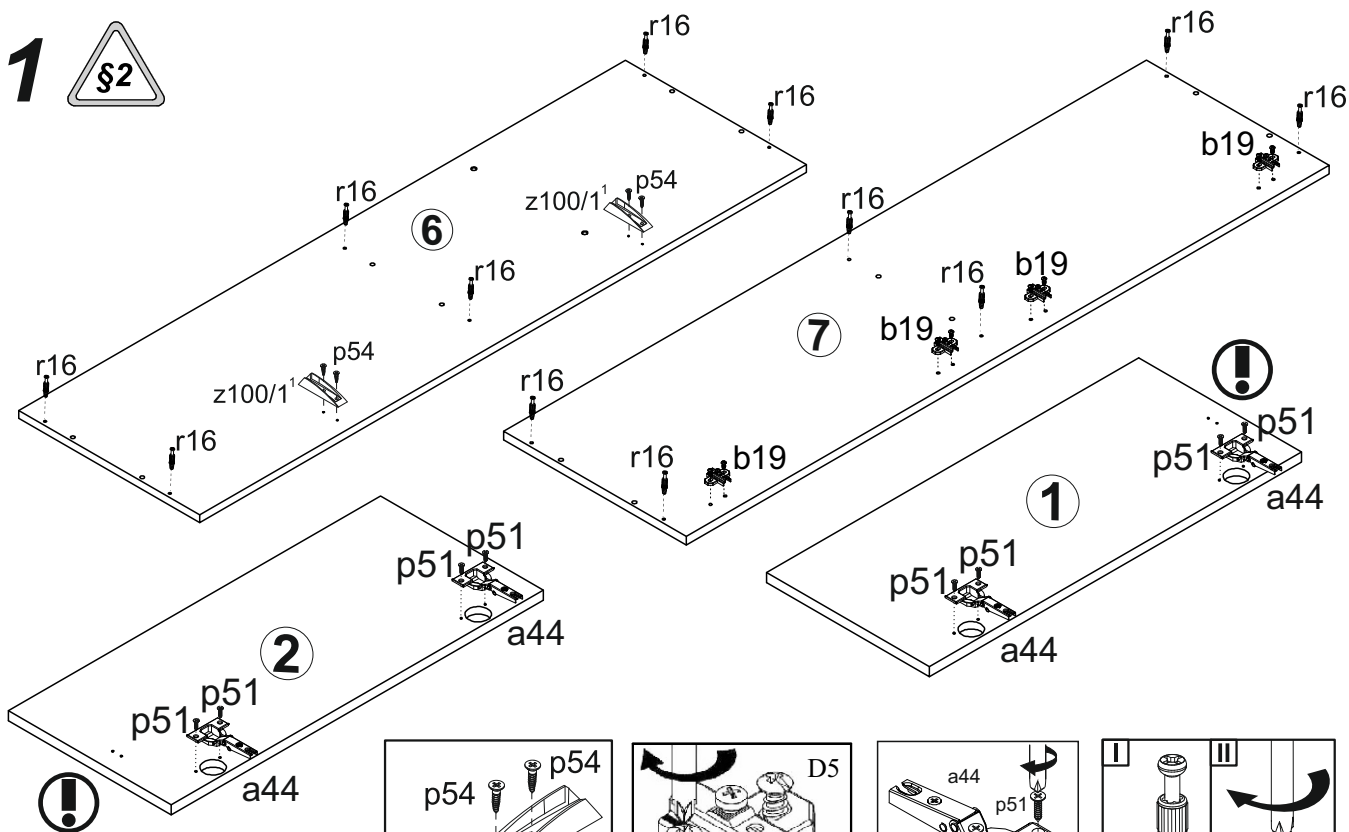
4x  k0 <b>a44</b>	4x  D5 <b>b19</b>	18x  $\phi 7 \times 50$ mm <b>e1</b>	2x 	8x  $\phi 3,5 \times 15$ mm <b>p51</b>	20x  $\phi 16$ <b>s2</b>
26x  $\phi 8 \times 30$ mm <b>f1</b>	31x  $\phi 15 \times 12$ mm #16 <b>r1</b>	31x  20/9 <b>r16</b>	12x  $\phi 3,5 \times 12$ mm <b>p140</b>	40x 	10x  $\phi 5 \times 50$ mm <b>e32</b>
2x  L-230 <b>m48</b>	8x  $\phi 3,5 \times 13$ mm <b>p1</b>	12x  $\phi 6 \times 13$ mm <b>e3</b>	4x  $\phi 5 \times 11$ mm <b>e4</b>	1x 	2x  $\phi 7 \times 35$ mm <b>e26</b>
5x  60x60x25 mm <b>k55</b>	4x  300mm <b>w206<sup>1</sup></b>	4x  300mm <b>w206<sup>2</sup></b>	6x  $\phi 3 \times 12$ mm <b>p54</b>	2x 	2x 
10x  $\phi 4 \times 35$ mm <b>p6</b>	2x  $\phi 20$ самоклейка <b>s100</b>	2x 	2x 	2x 	
2x  $\phi 6,3 \times 13$ mm <b>e2</b>					

I

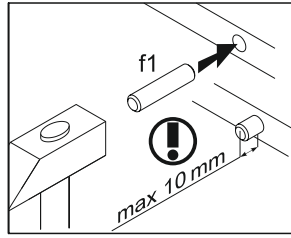
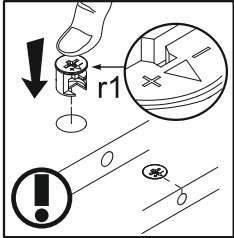
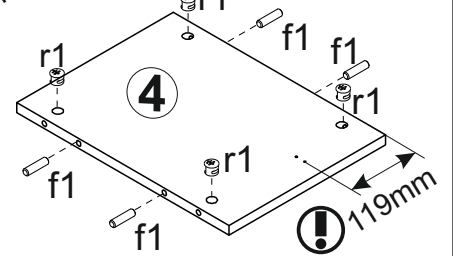
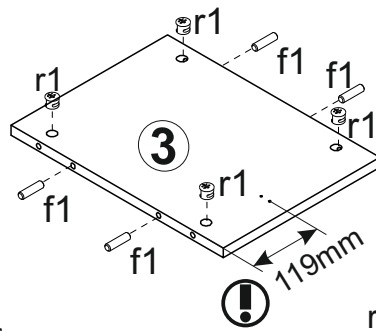
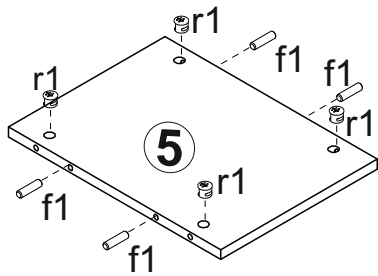


A	B	C		D
1	RB2-009	696	299	2/3
2	RB2-010	696	299	2/3
3	RB2-111	287	397	2/3
4	RB2-112	287	397	2/3
5	RB2-113	287	397	2/3
6	RB2-206	1400	422	2/3
7	RB2-202	1400	397	2/3
8	RB2-903	1394	320	2/3

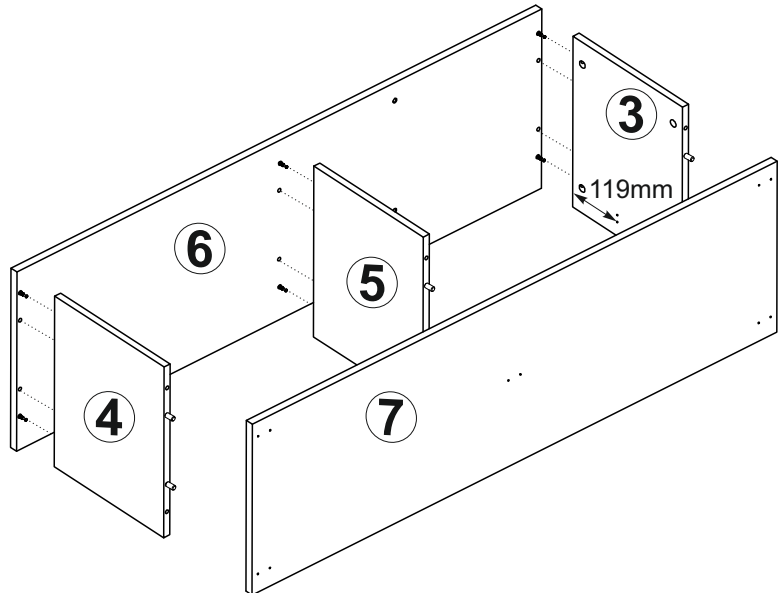
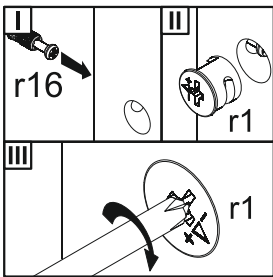
1 §2



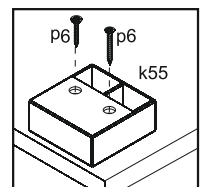
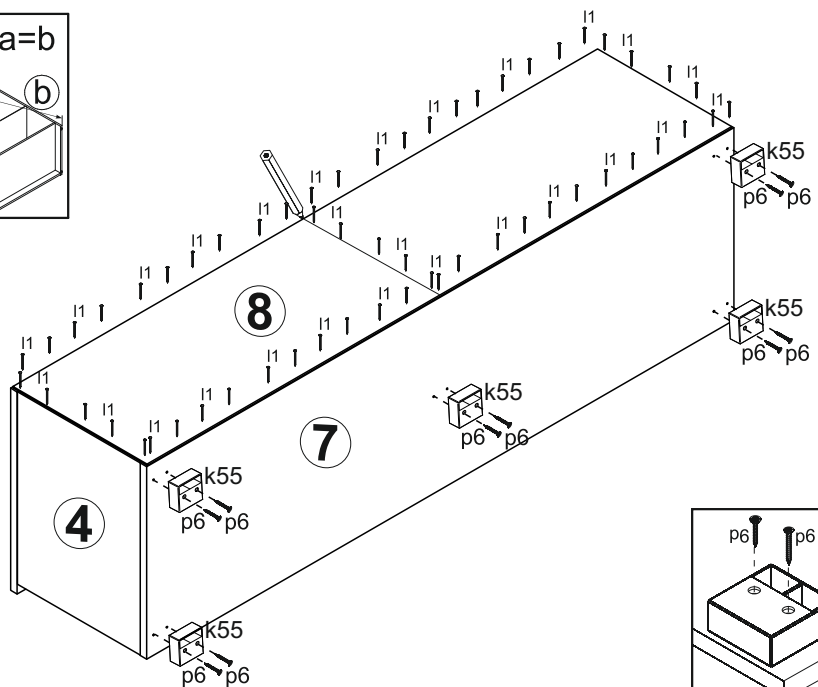
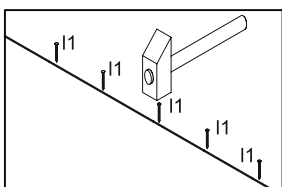
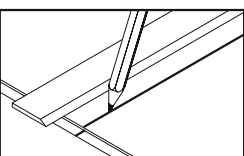
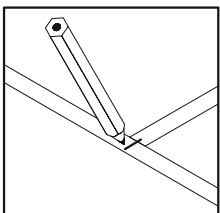
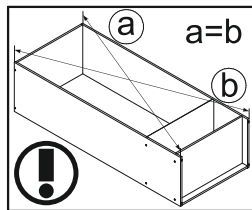
# 2



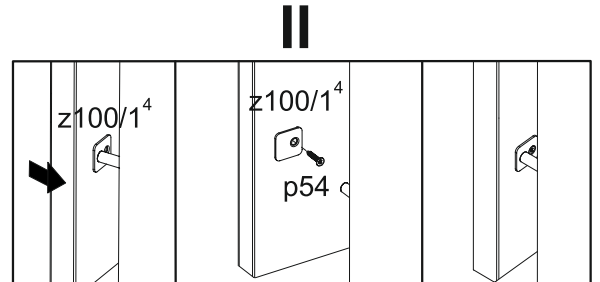
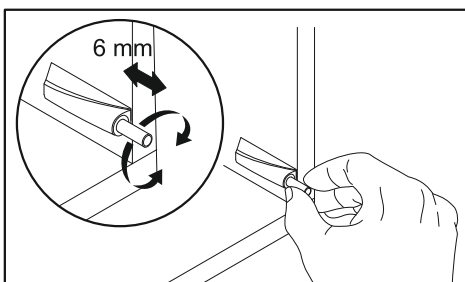
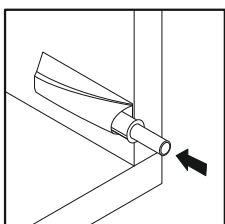
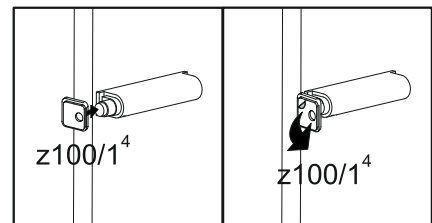
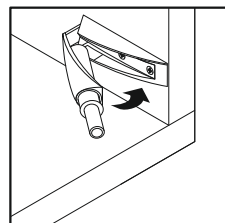
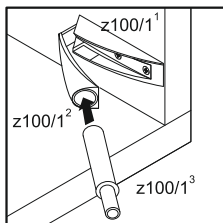
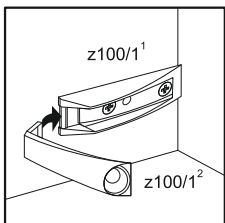
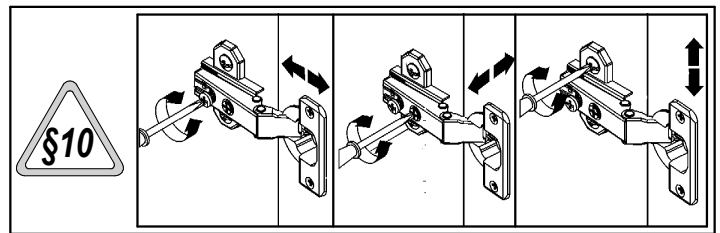
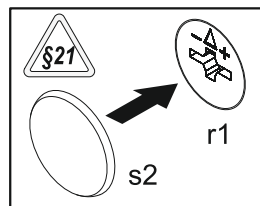
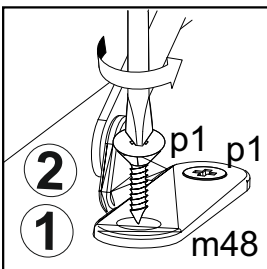
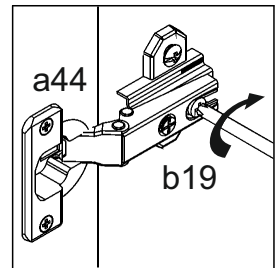
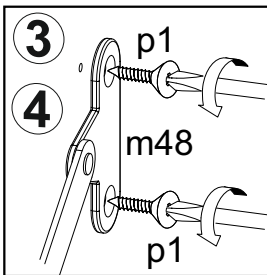
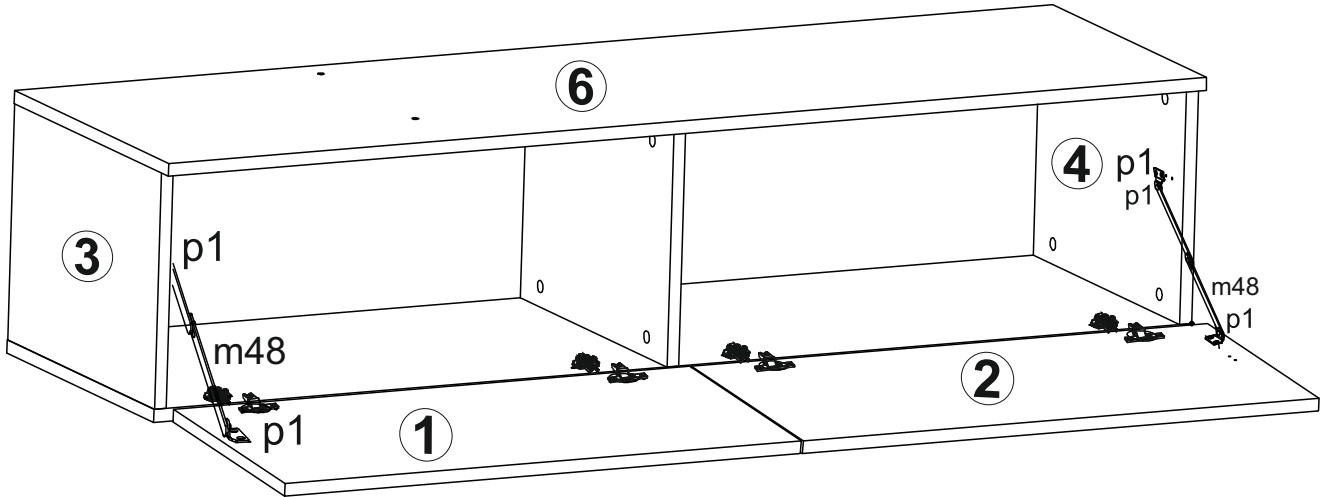
# 3



# 4

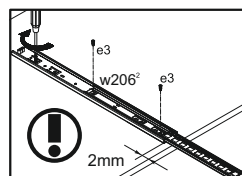
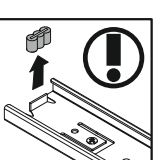
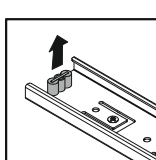
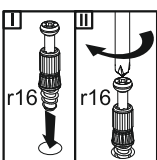
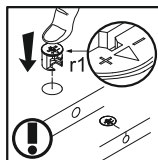
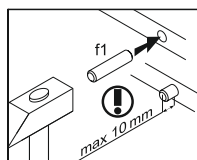
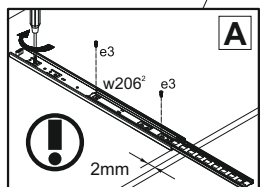
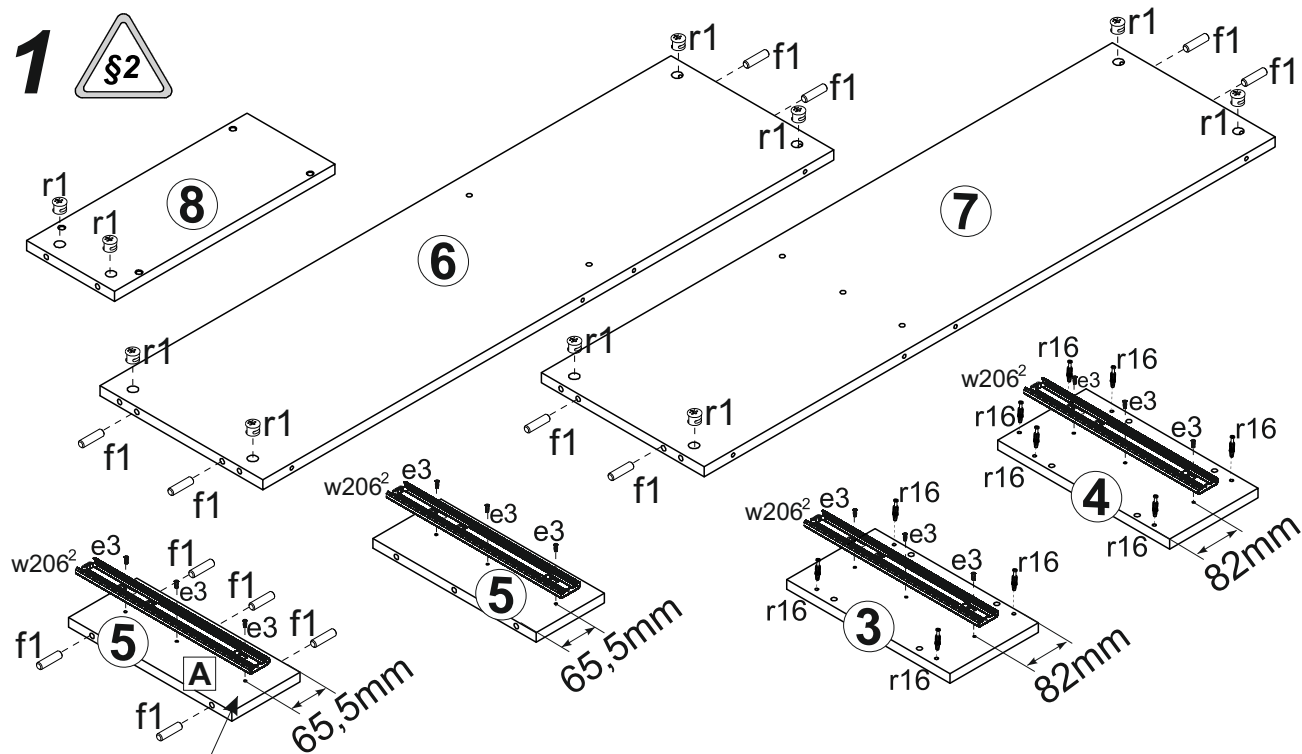
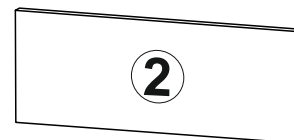
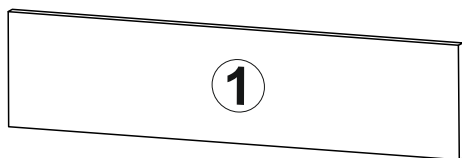
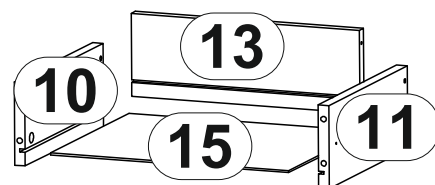
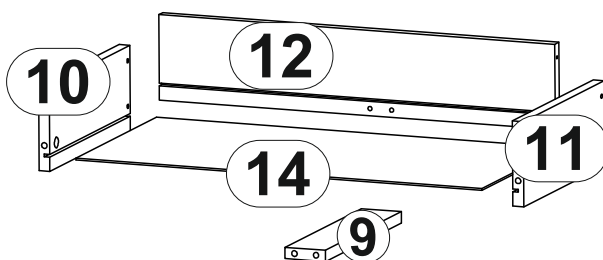
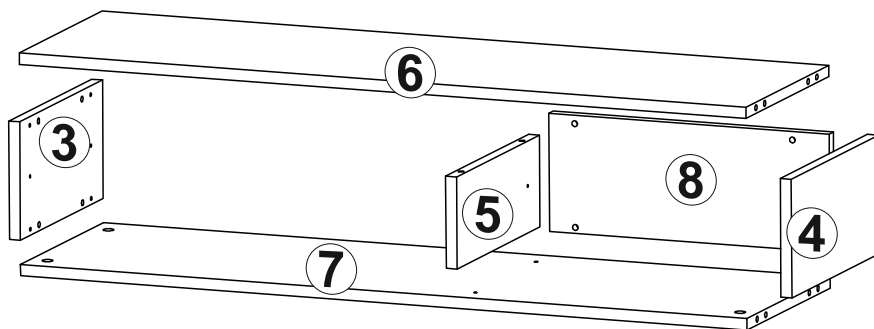


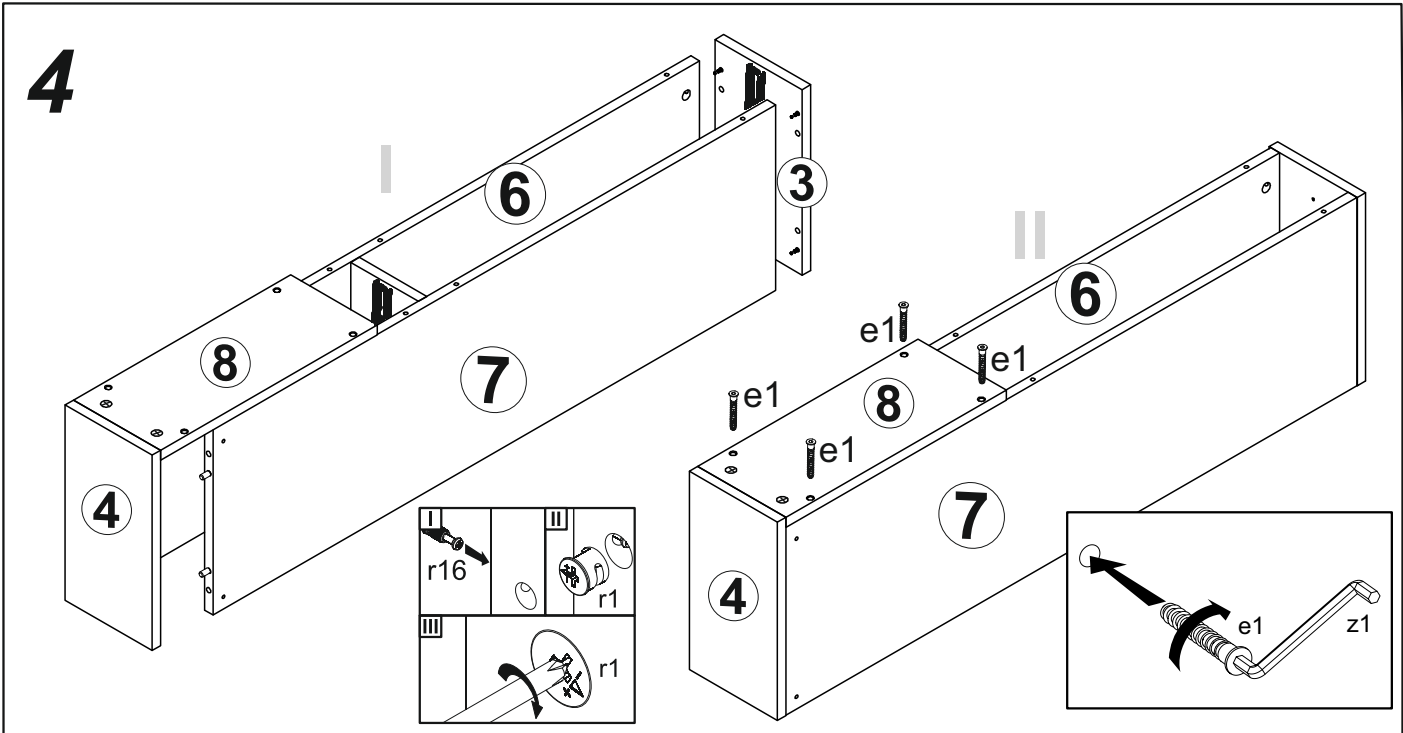
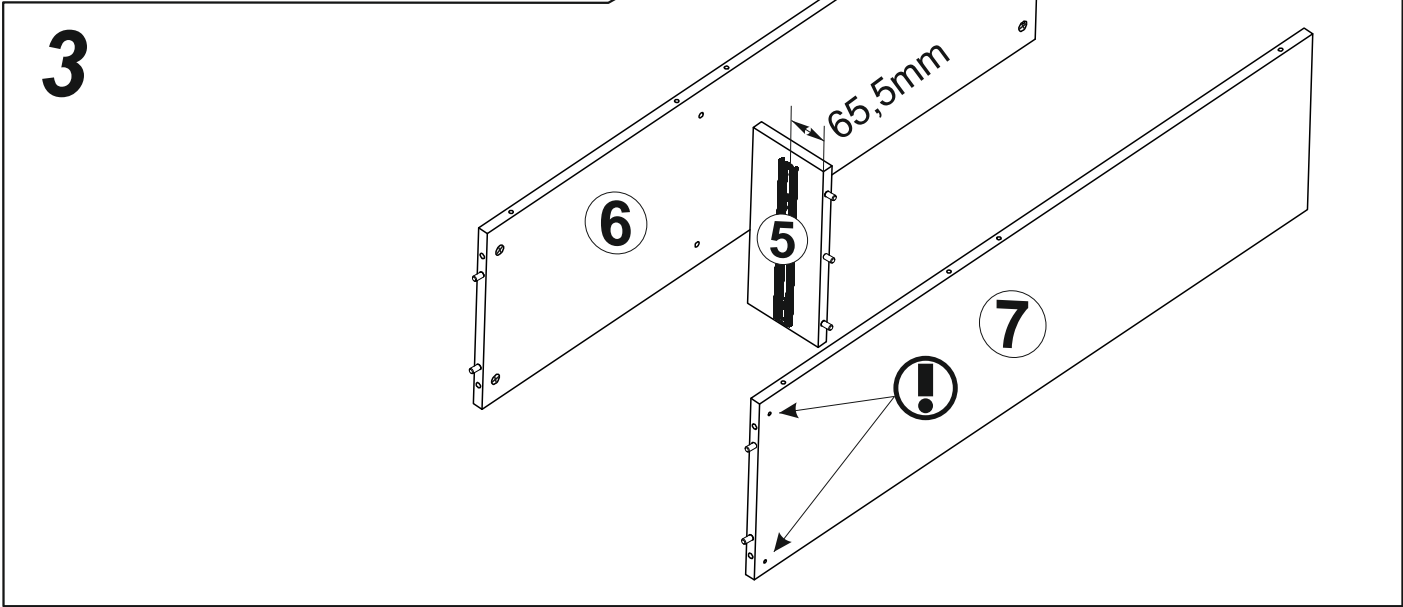
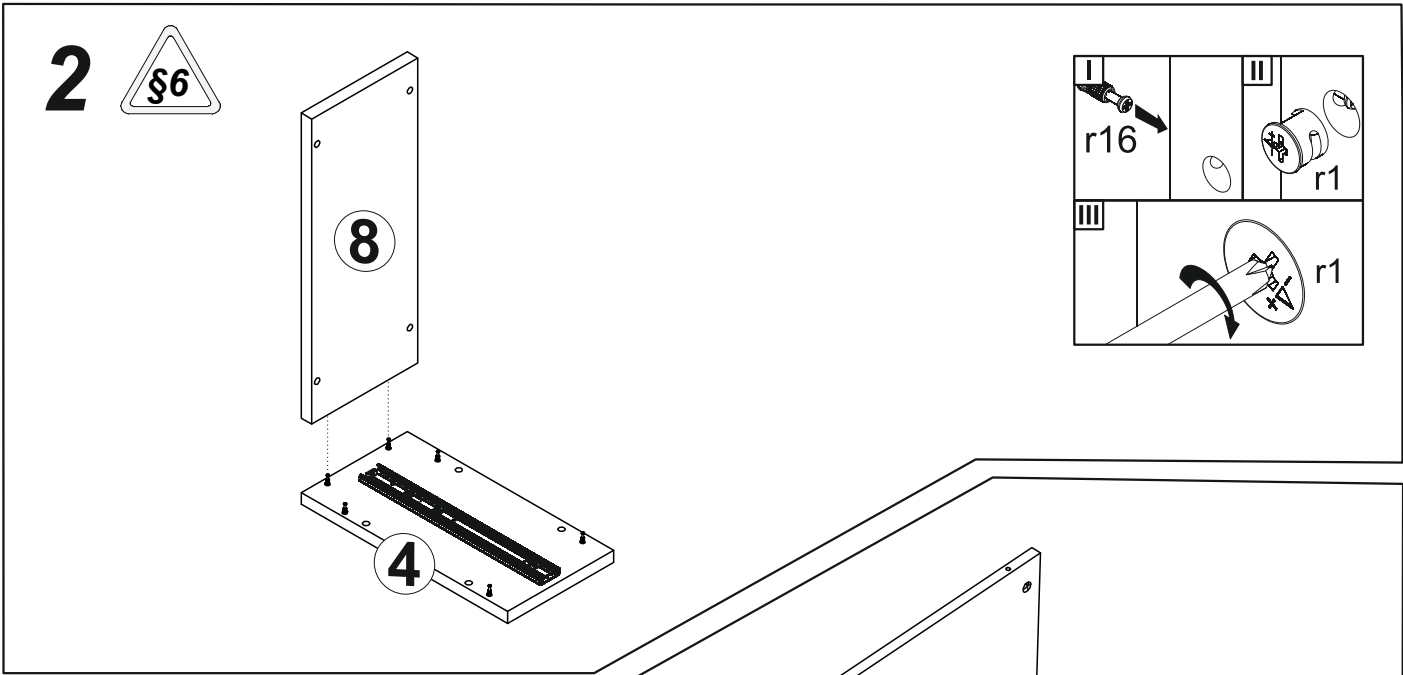
# 5



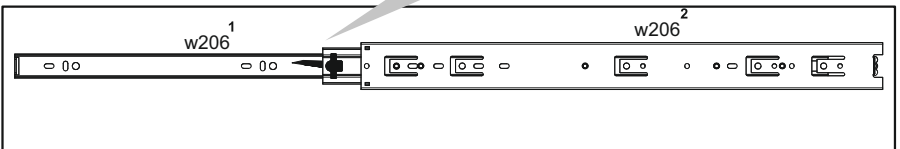
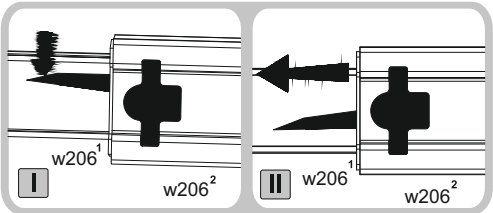
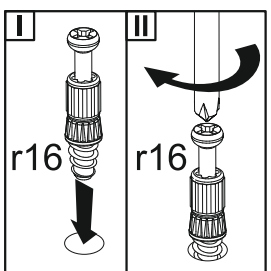
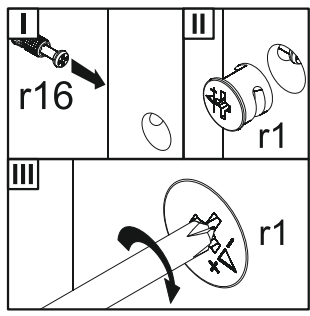
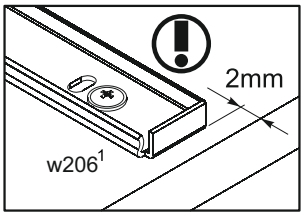
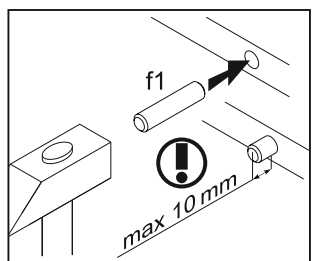
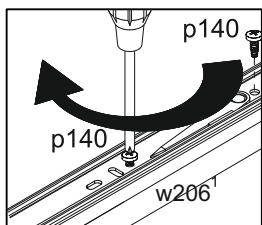
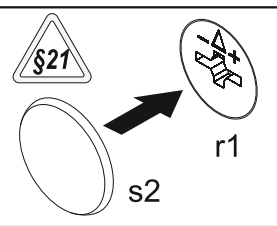
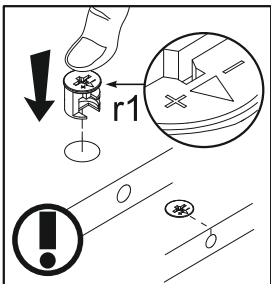
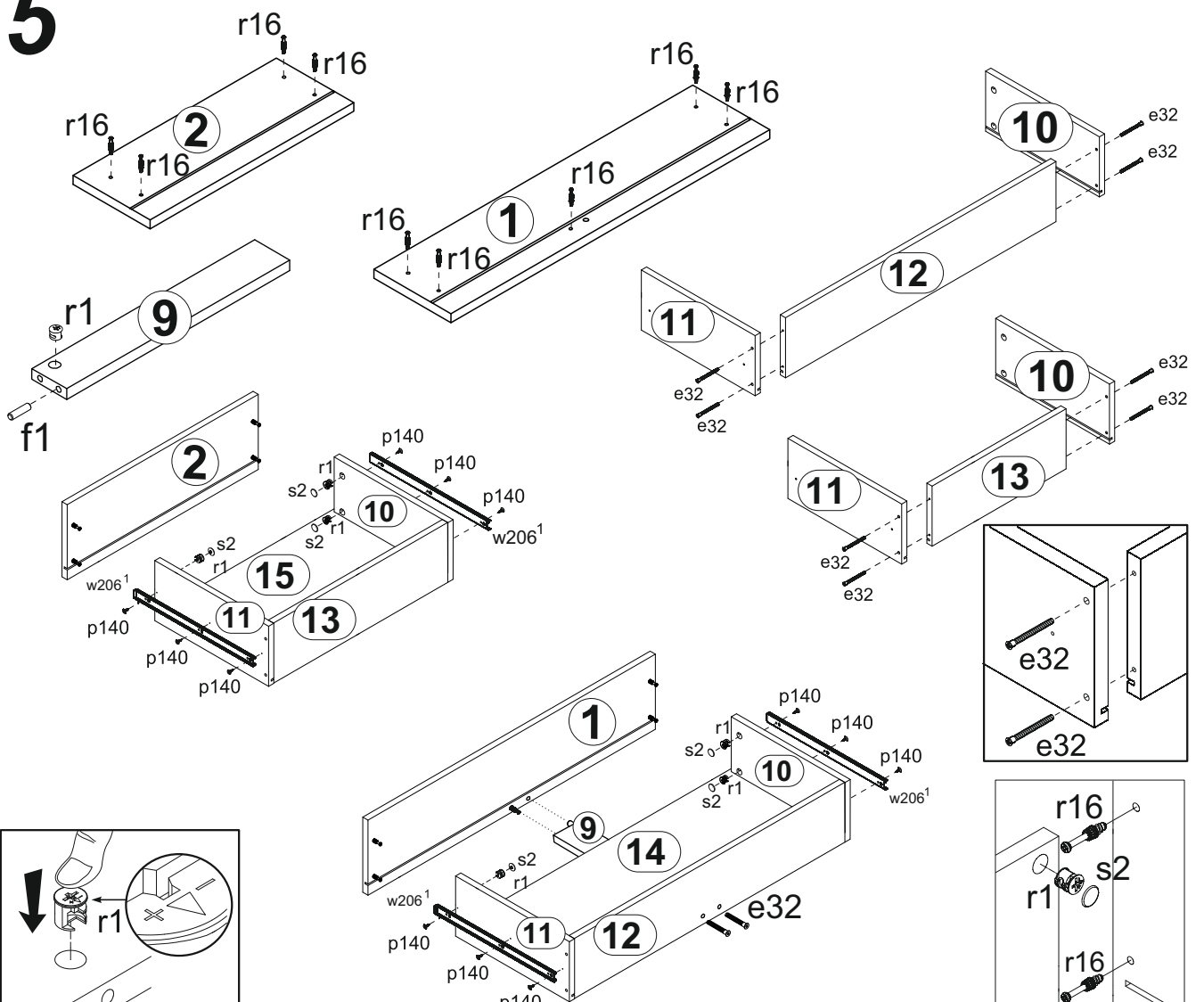
# II

A	B	C	D	
1	RB2-001	669	161	3/3
2	RB2-002	427	161	3/3
3	RB2-101	305	165	3/3
4	RB2-102	321	165	3/3
5	RB2-103	305	128	3/3
6	RB2-301	1068	305	3/3
7	RB2-302	1068	305	3/3
8	RB2-401	412	165	3/3
9	RB2-402	283	60	3/3
10	RB2-551	300	120	3/3
11	RB2-552	300	120	3/3
12	RB2-553	588	120	3/3
13	RB2-554	348	120	3/3
14	RB2-901	299	603	3/3
15	RB2-902	299	363	3/3





# 5

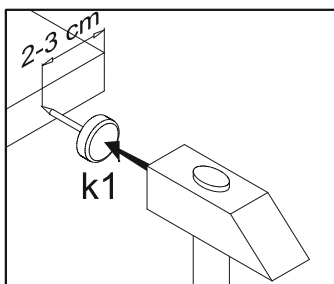
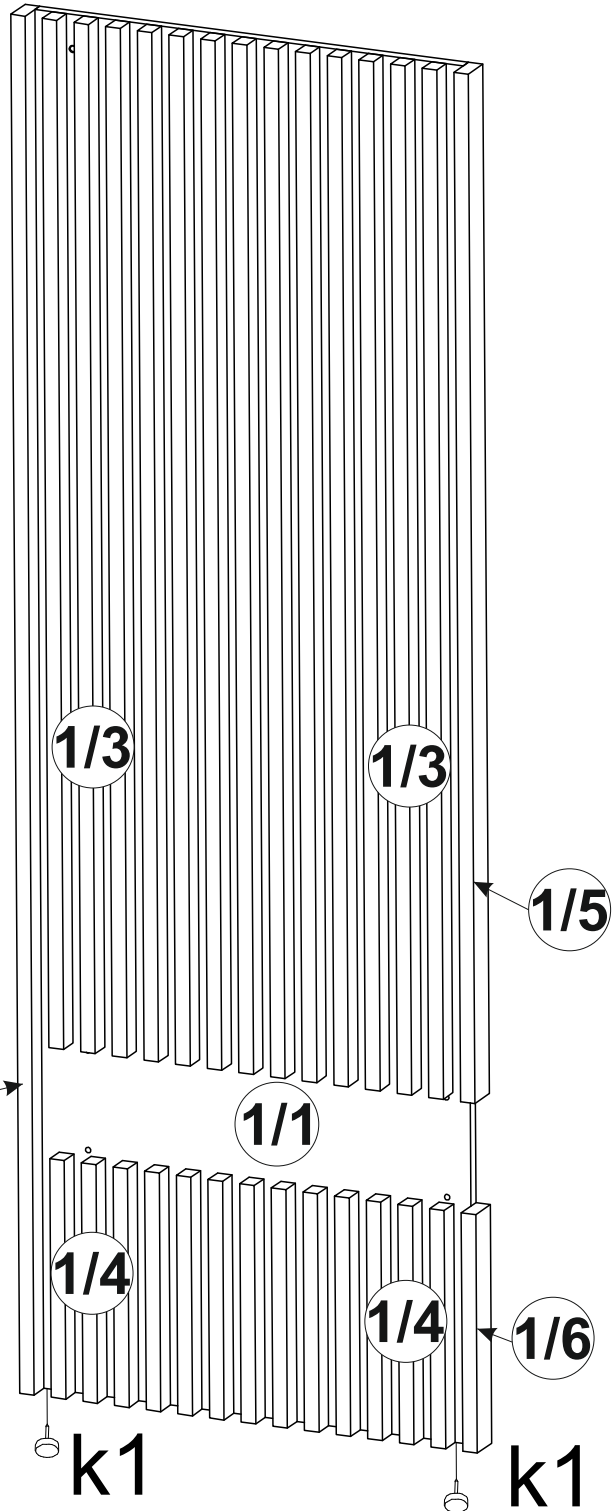




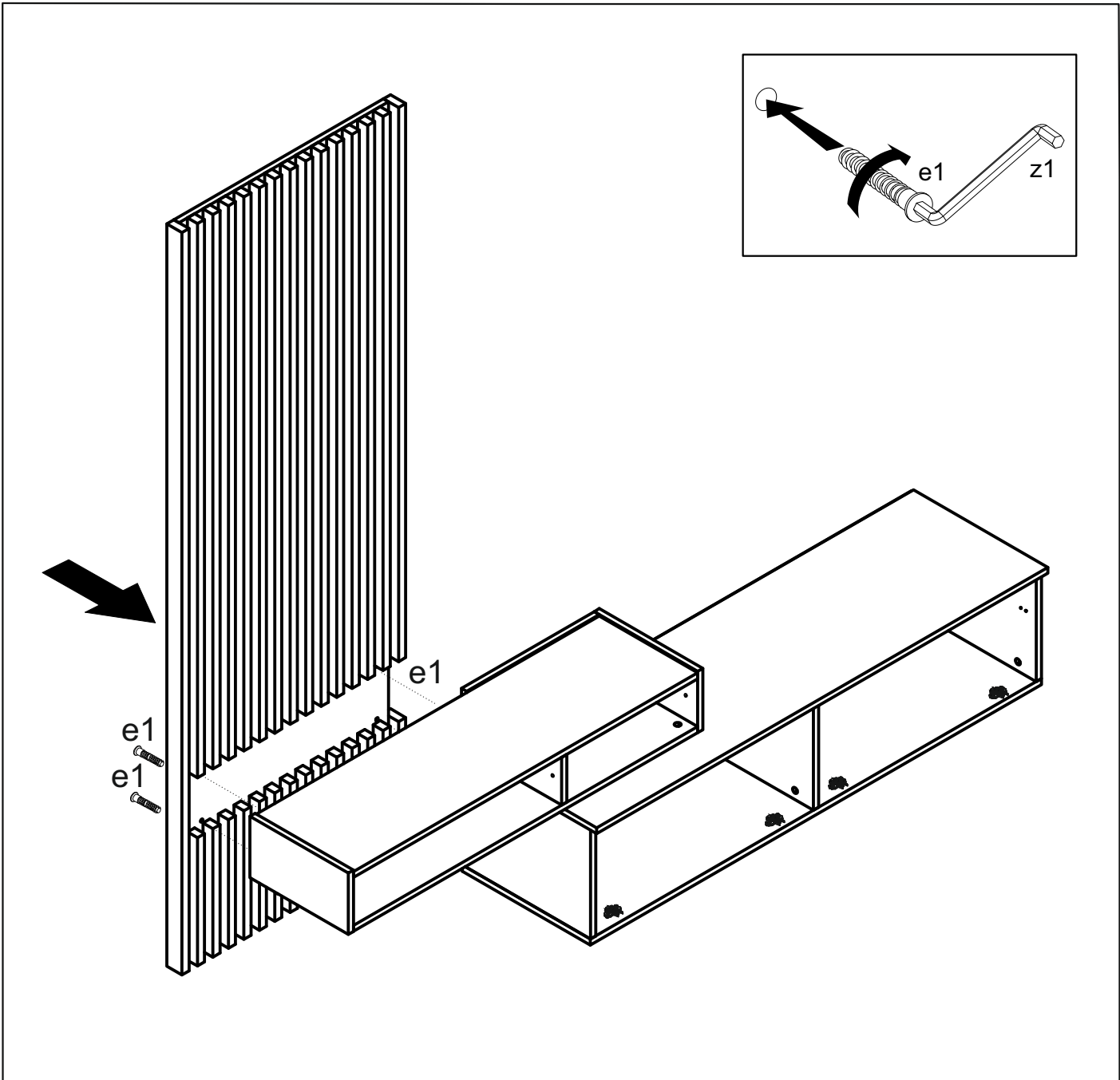
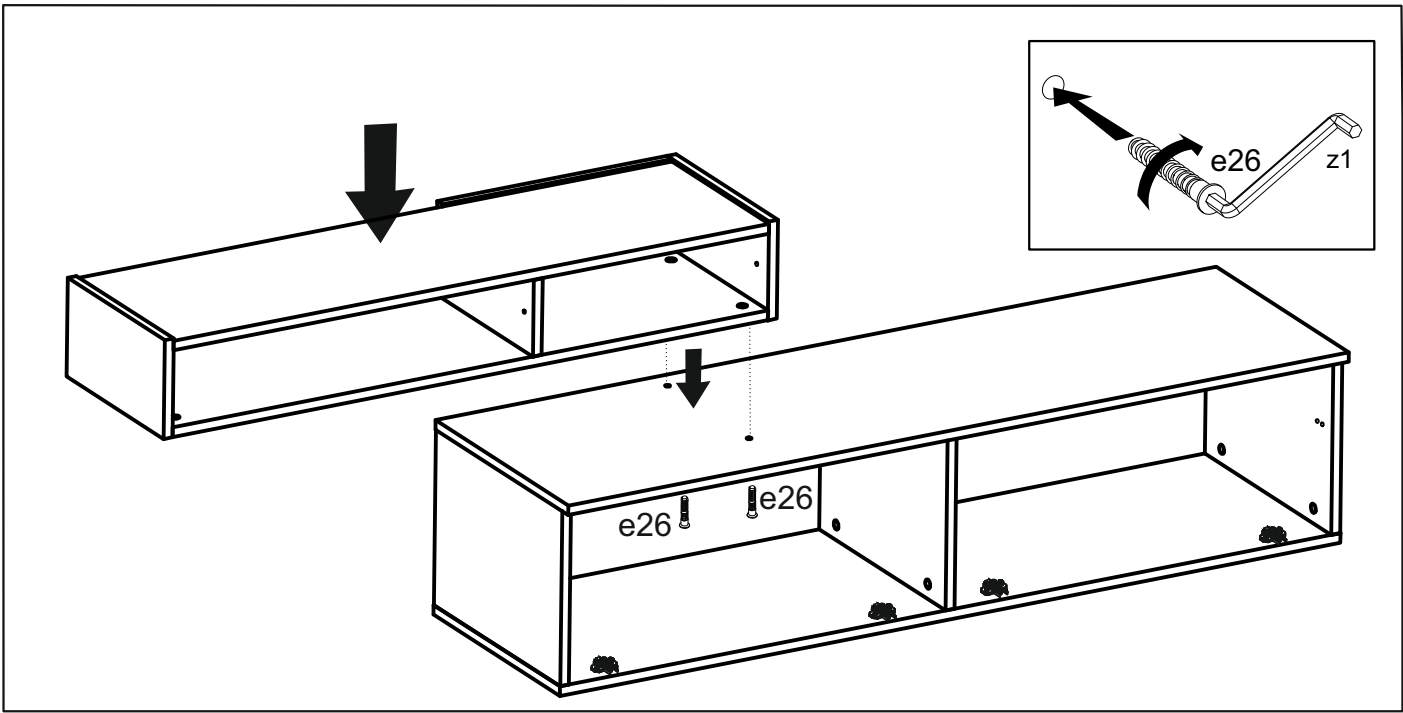
A	B	C		D
1	RB2- 501	1995	694	1/3

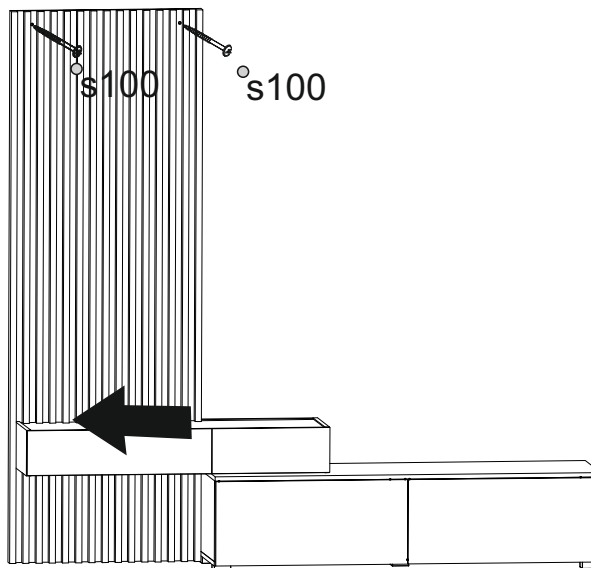
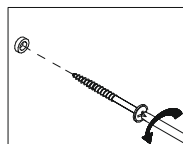
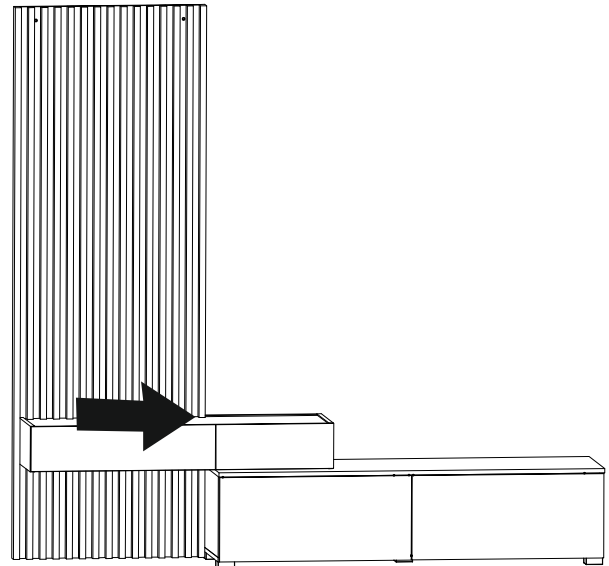
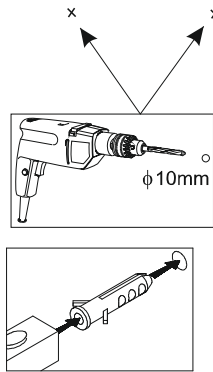
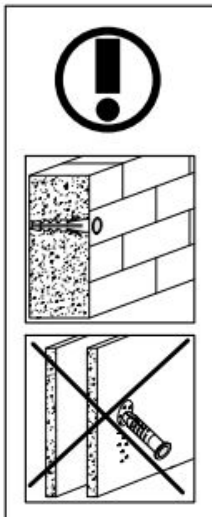
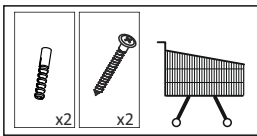
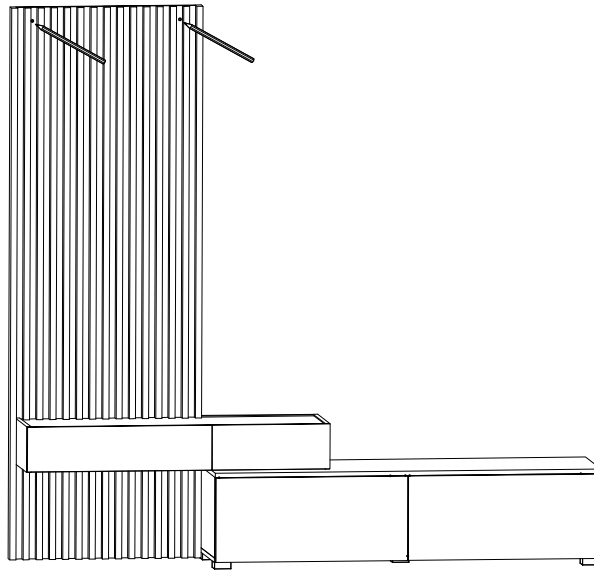


1/1	RB2- 403	1995	650	1/3
1/2	RB2- 404	1995	47	1/3
1/3	RB2- 405	1488	31	1/3
1/4	RB2- 406	345	31	1/3
1/5	RB2- 407	1488	47	1/3
1/6	RB2- 408	345	47	1/3



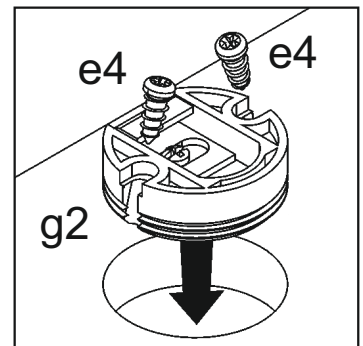
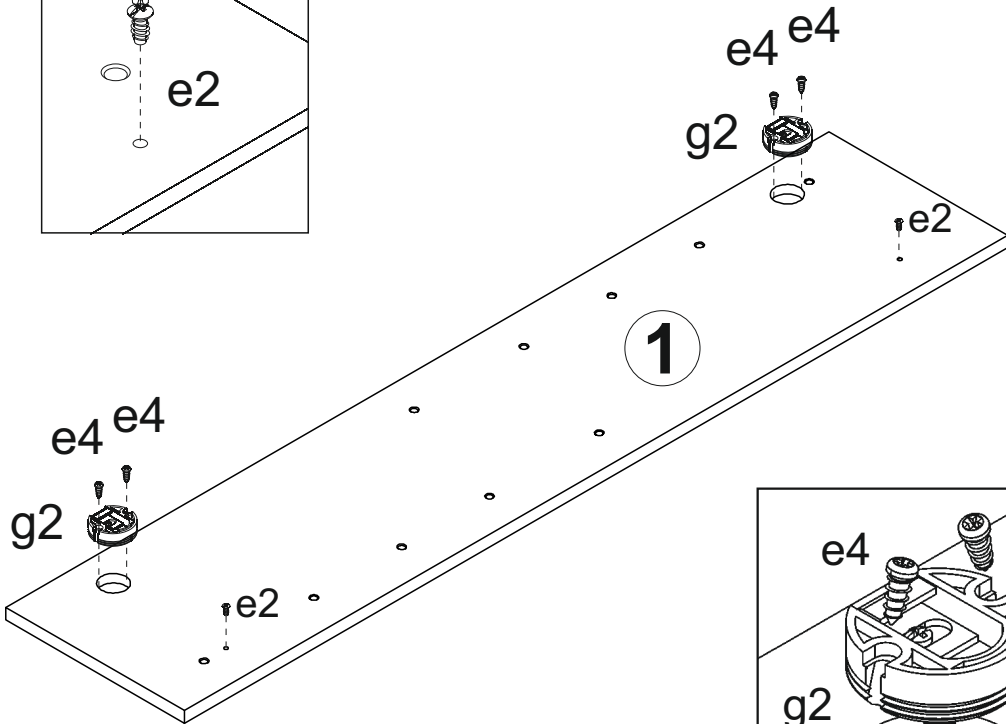
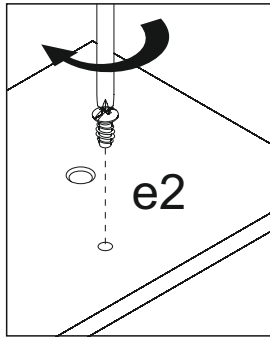
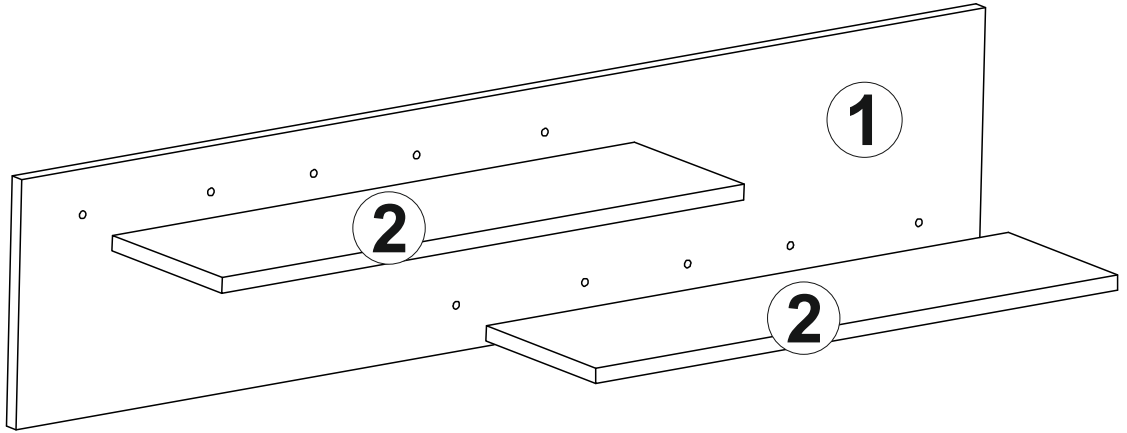




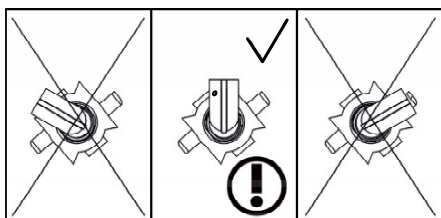
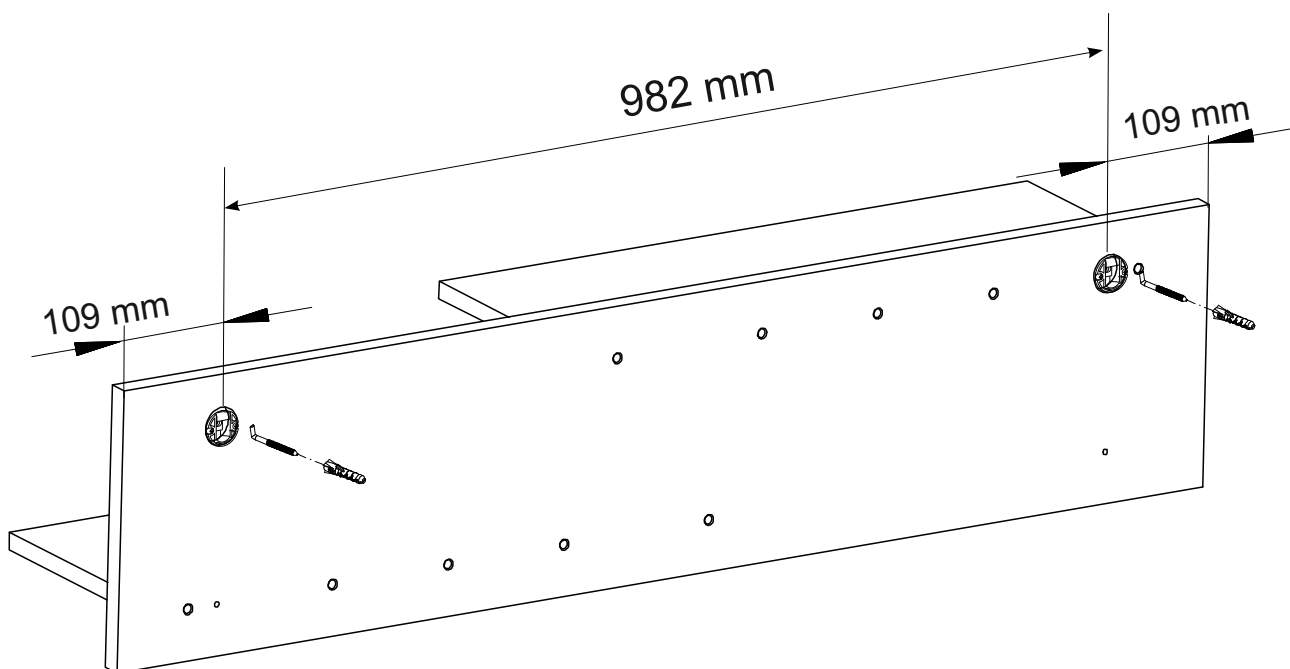
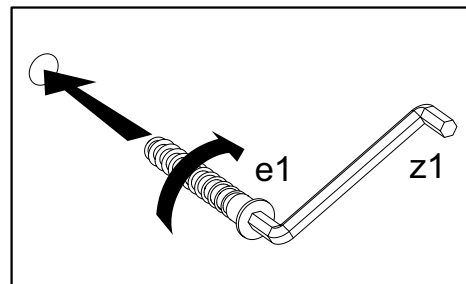
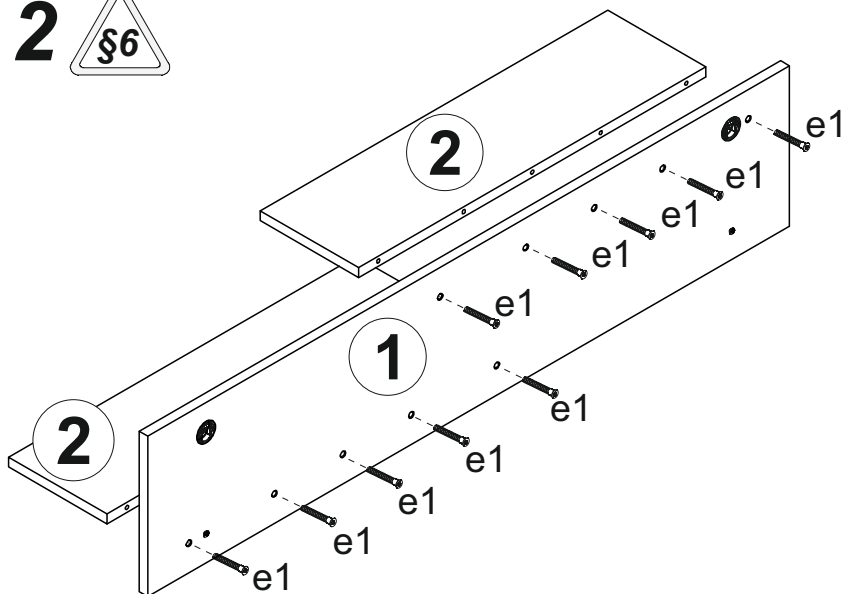


# IV

A	B	C		D
1	RB2 -409	1200	260	2/3
2	RB2 -303	650	184	3/3



**2** §6



§10

