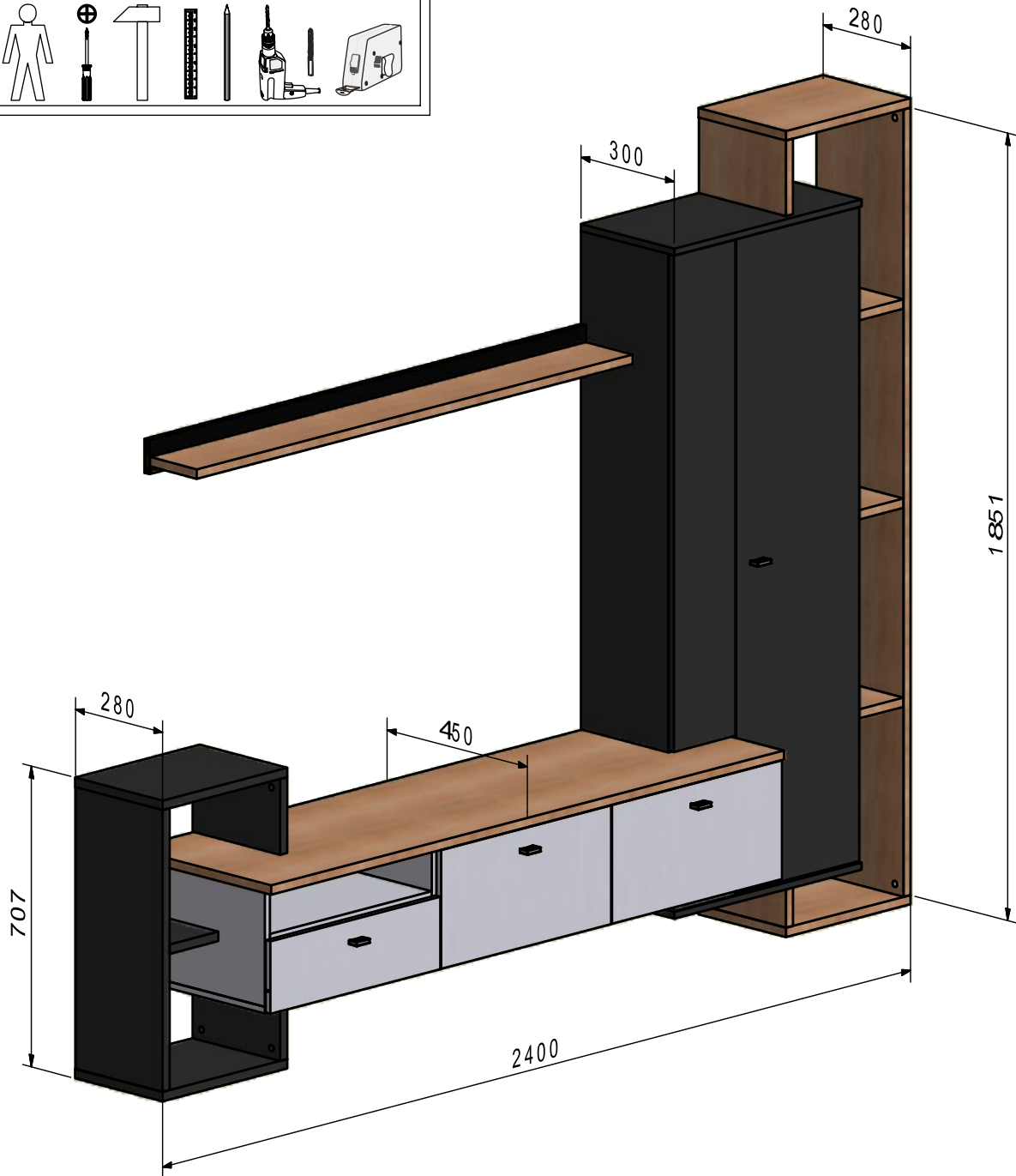
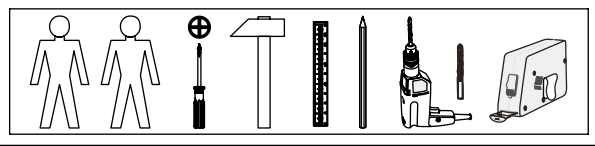
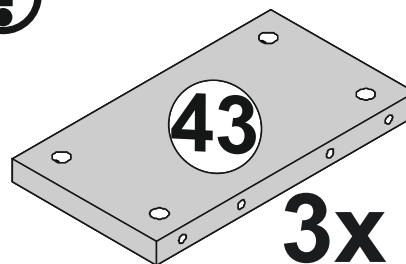
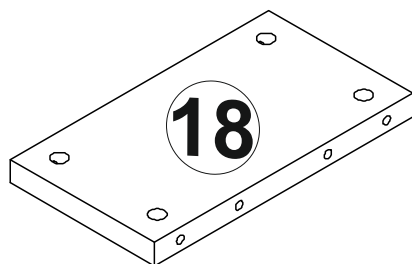
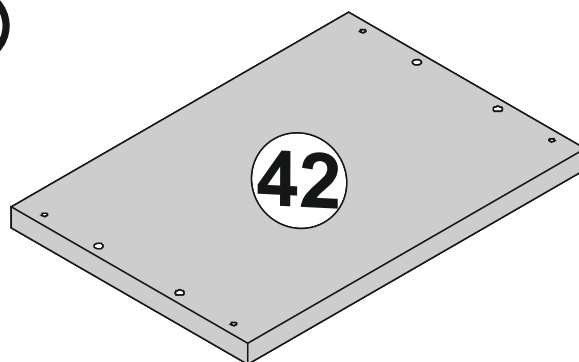
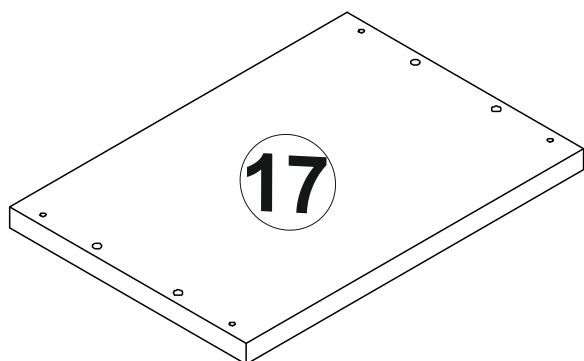
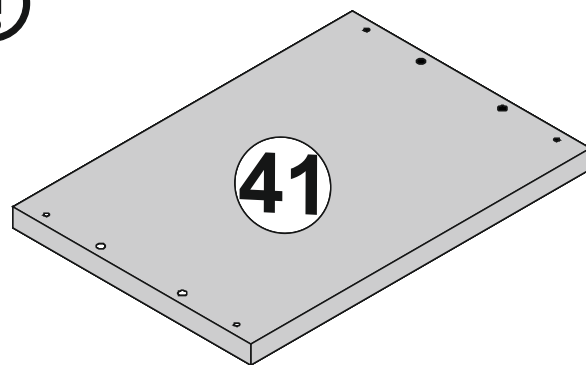
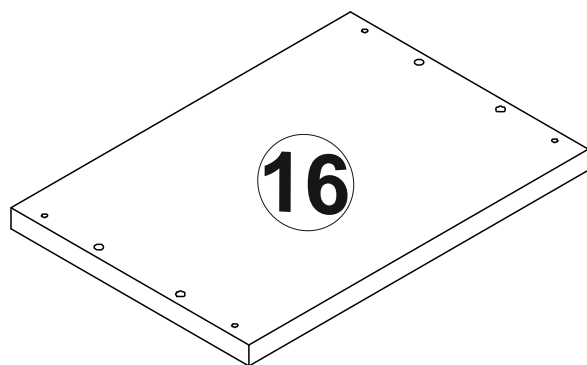


Деоніс / Deonis

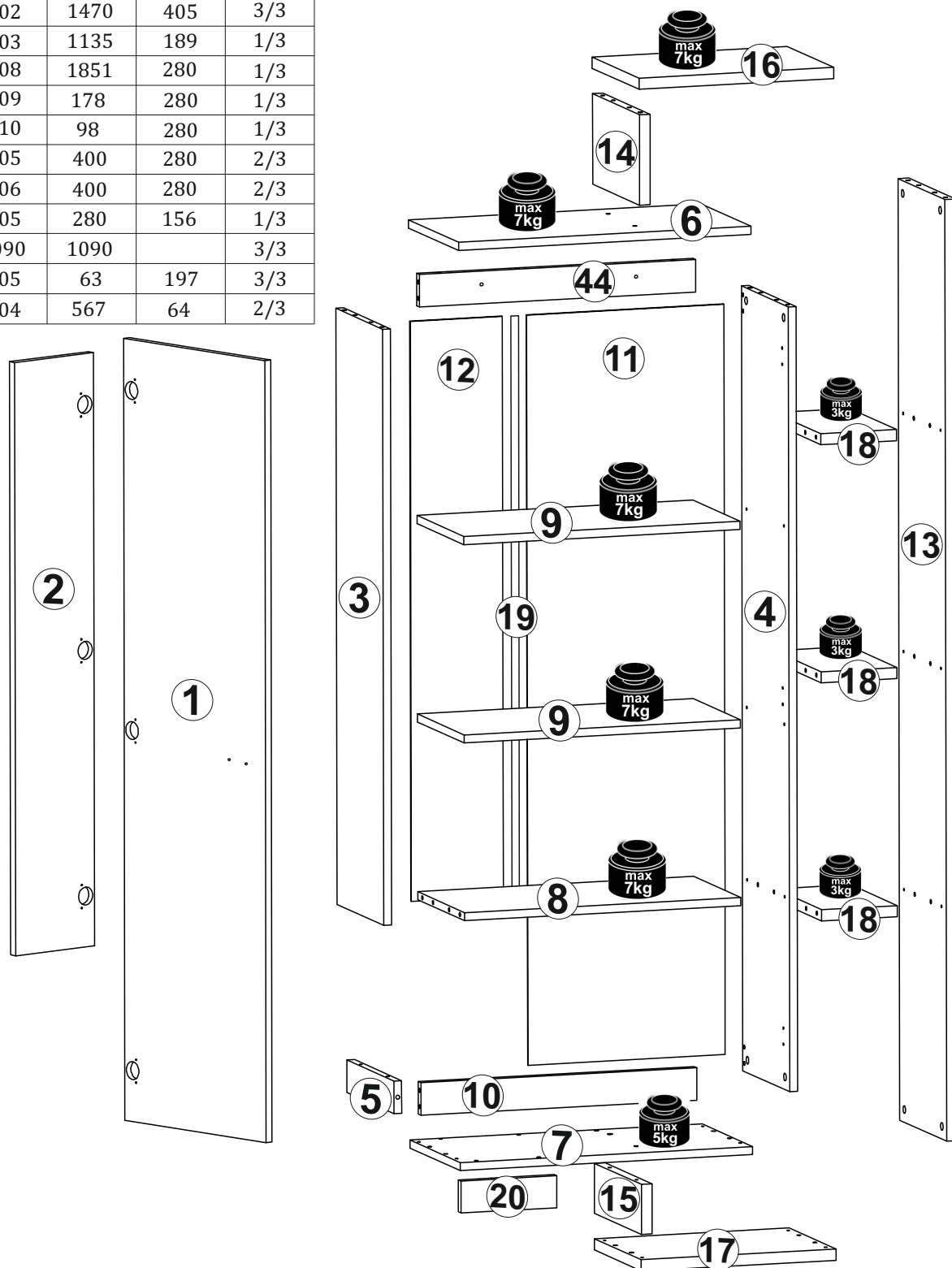


10x a44	10x b19	16x φ7x50 mm e1	8x k22	20x φ3,5x15 mm p51	75x l1
85x φ8x30 mm f1	42x φ15x12mm #16 r1	74x 20/9 r16	4x c812	8x M4x20 mm j1	6x s1
56x φ16 s2	8x φ5x17 mm d1	2x 400 w208/1	2x 400 w208/2	6x Ø3,5x12 mm p140	4x φ5x50 mm e32
1x z1	2x L-230 m48	8x φ3,5x13 mm p1	11x φ3,5x16 mm p38	6x φ6x13 mm e3	2x g2
4x φ5x11 mm e4	32x φ15x15mm #22 r3	2x φ6,3x13 mm e2	x2 x4 x4 		


Деоніс / Deonis

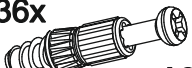



A	B	C		D
1	SJ1-003	1537	395	3/3
2	SJ1-004	1166	197	3/3
3	SJ1-105	1172	280	1/3
4	SJ1-106	1543	280	1/3
5	SJ1-107	64	280	1/3
6	SJ1-203	600	300	2/3
7	SJ1-204	600	300	2/3
8	SJ1-302	567	280	1/3
9	SJ1-303	567	280	2/3
10	SJ1-403	567	64	2/3
11	SJ1-902	1470	405	3/3
12	SJ1-903	1135	189	1/3
13	SJ1-108	1851	280	1/3
14	SJ1-109	178	280	1/3
15	SJ1-110	98	280	1/3
16	SJ1-205	400	280	2/3
17	SJ1-206	400	280	2/3
18	SJ1-305	280	156	1/3
19	LH-1090	1090		3/3
20	SJ1-005	63	197	3/3
44	SJ1-404	567	64	2/3





1 

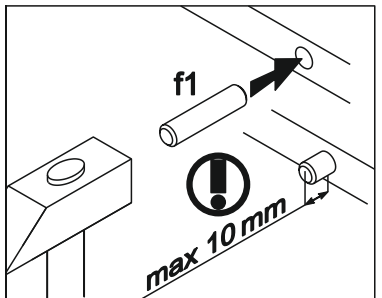
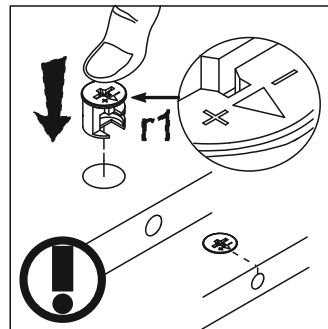
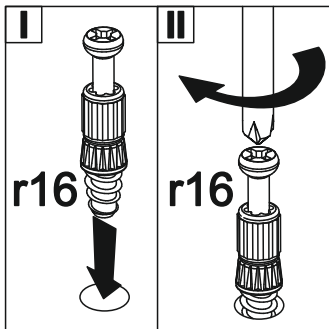
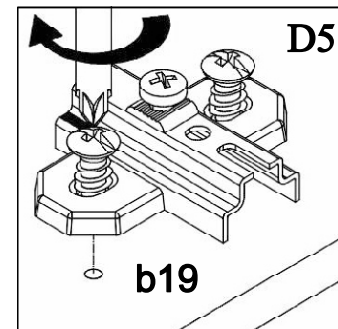
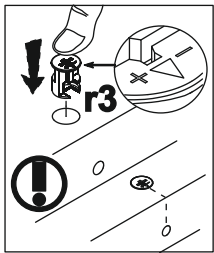
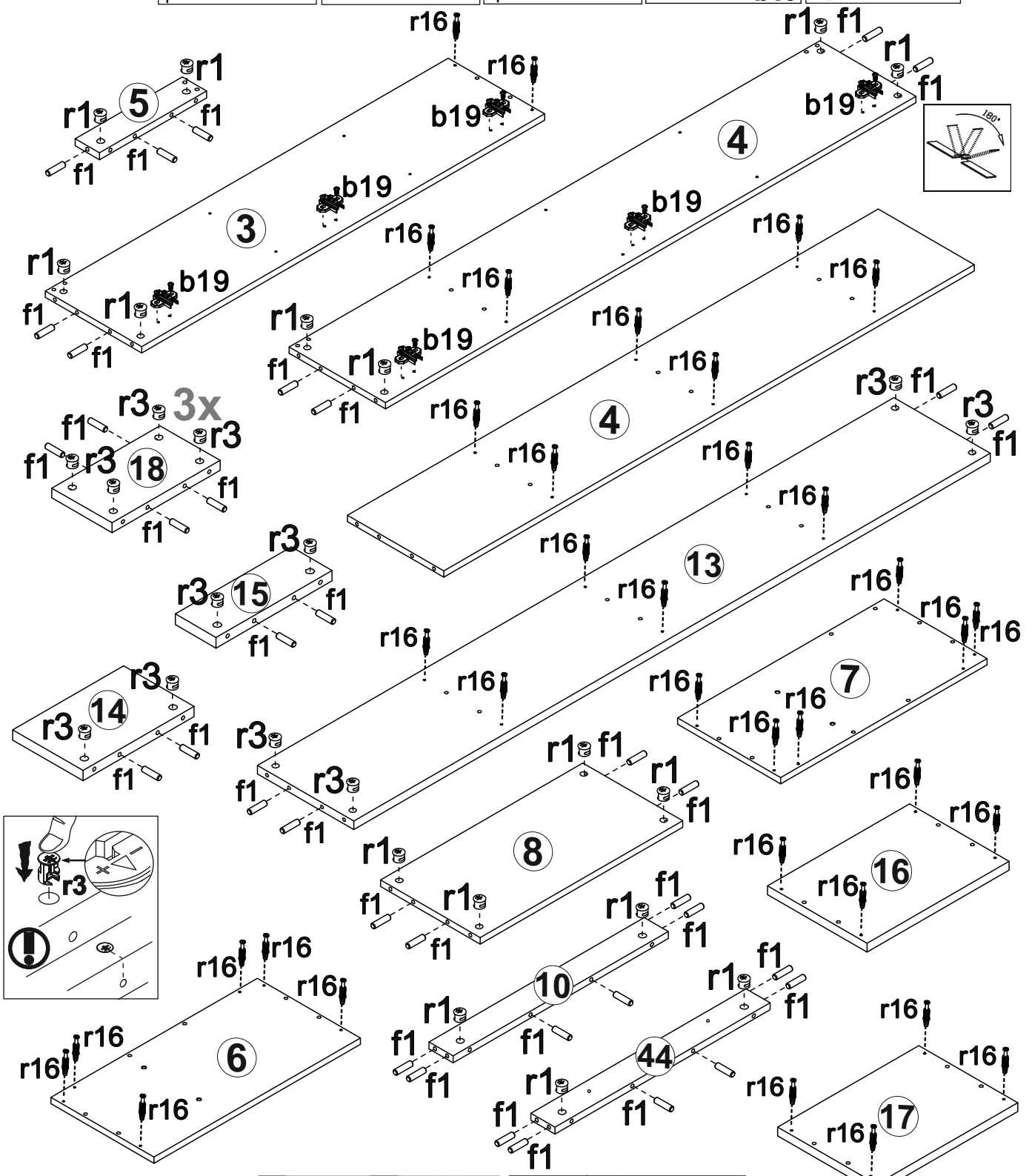
16x  $\phi 15 \times 12 \text{ mm}$ #16 r1

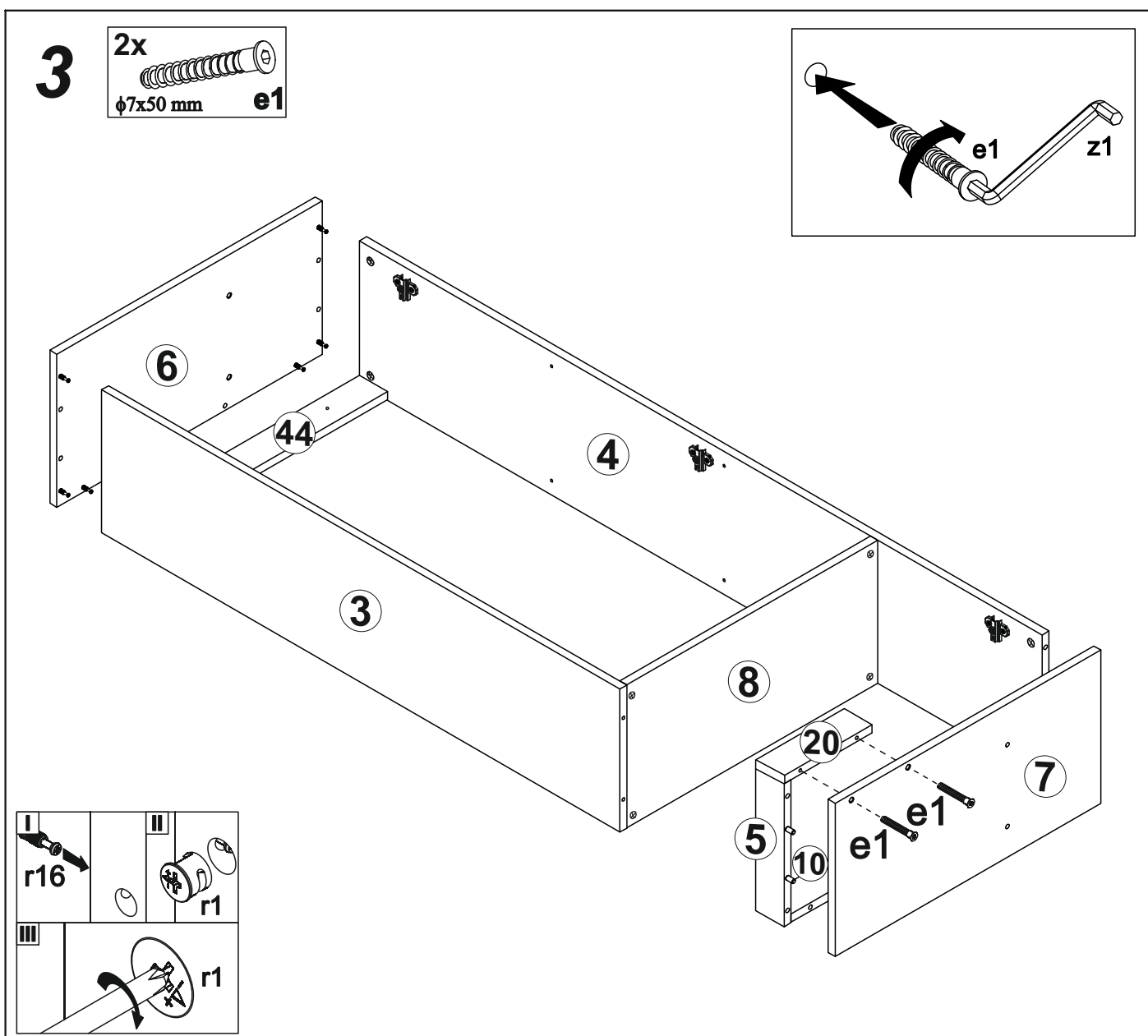
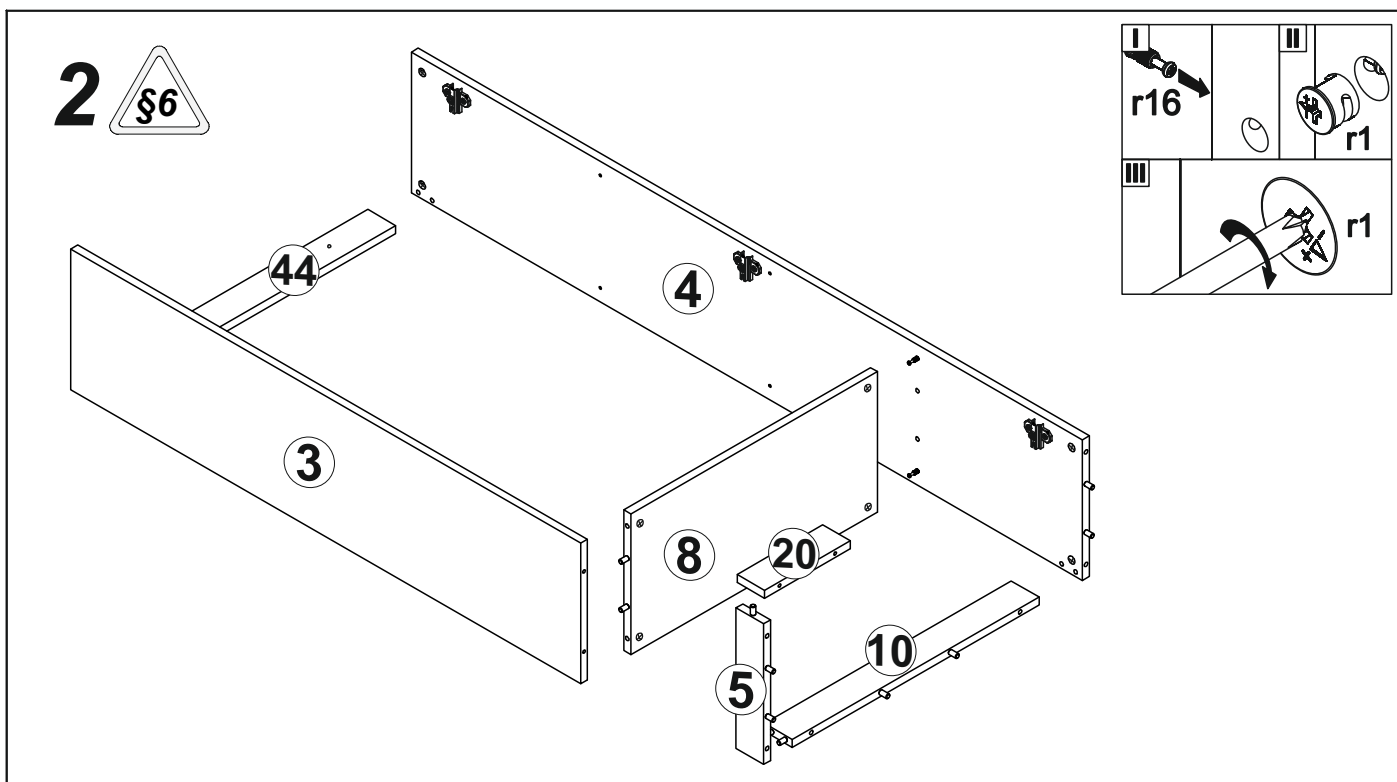
36x  20/9 r16

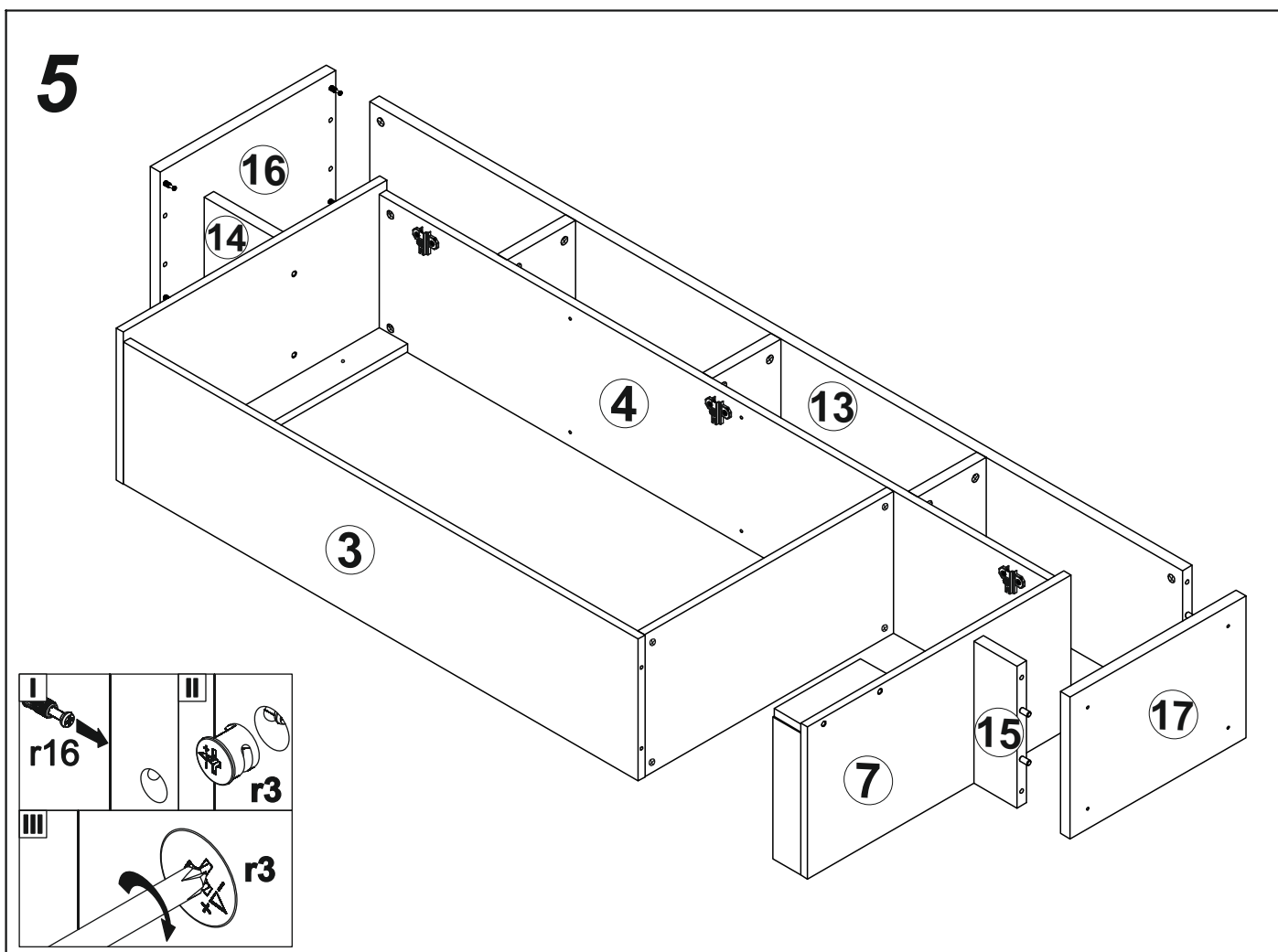
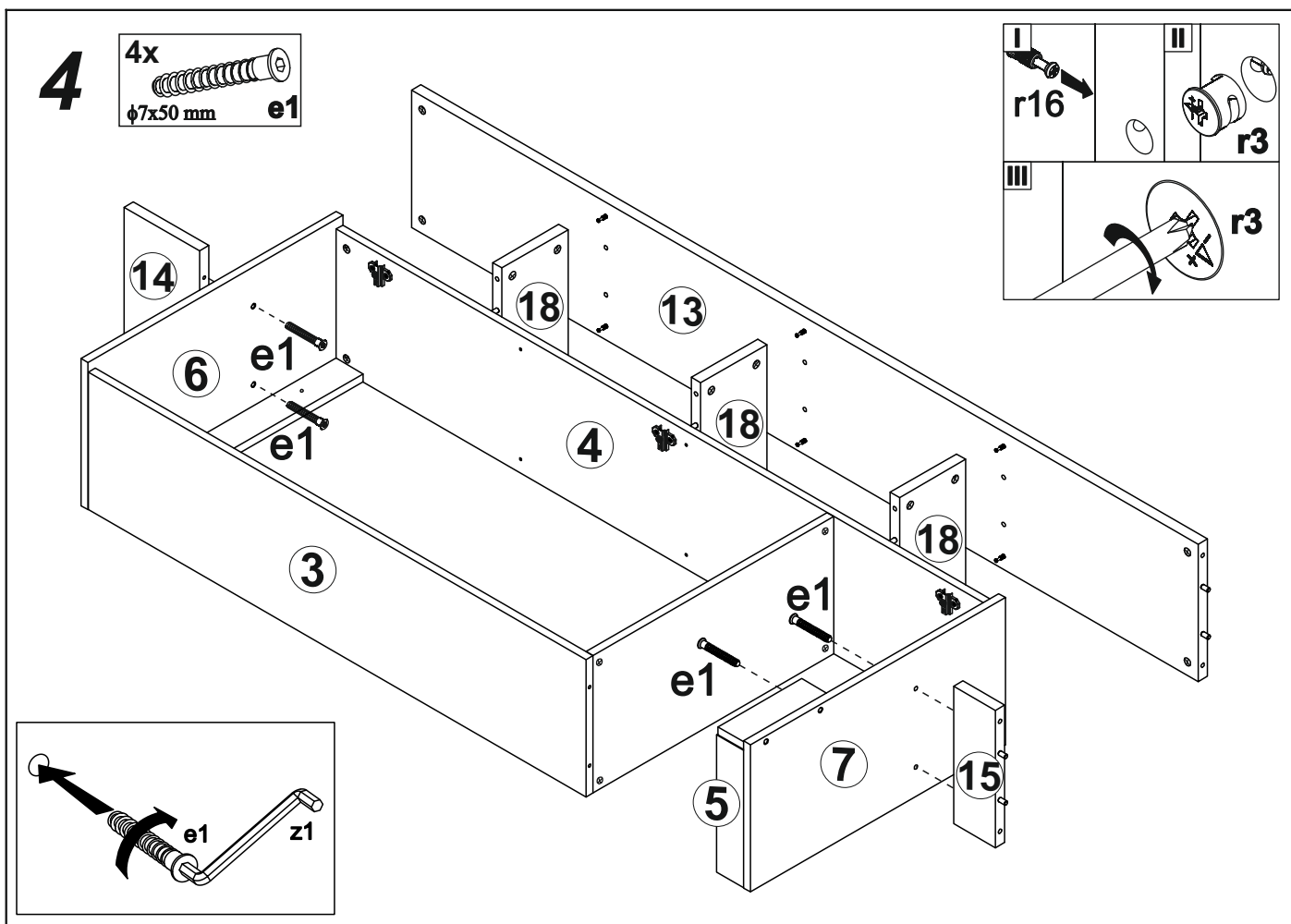
45x  $\phi 8 \times 30 \text{ mm}$ f1

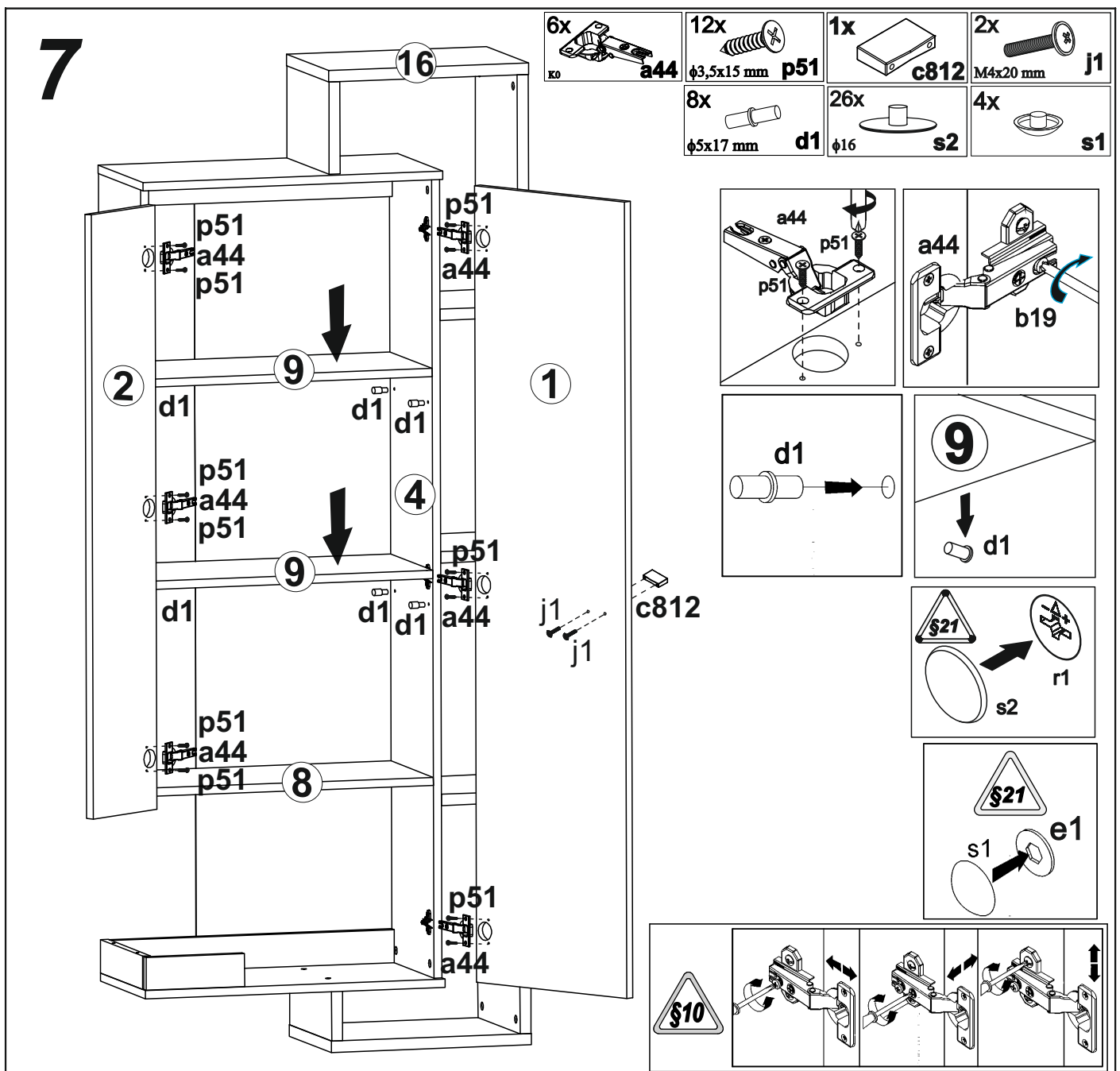
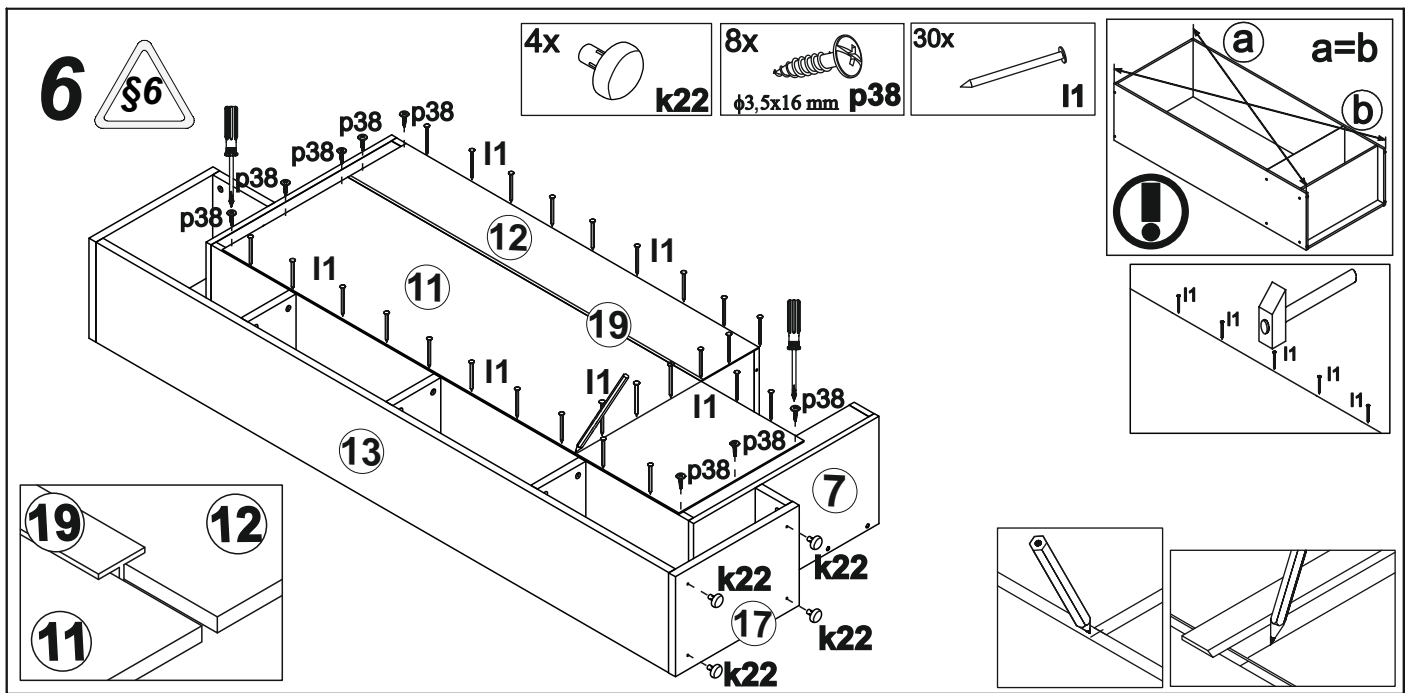
6x  b19

D5  20x $\phi 15 \times 15 \text{ mm}$ #22 r3



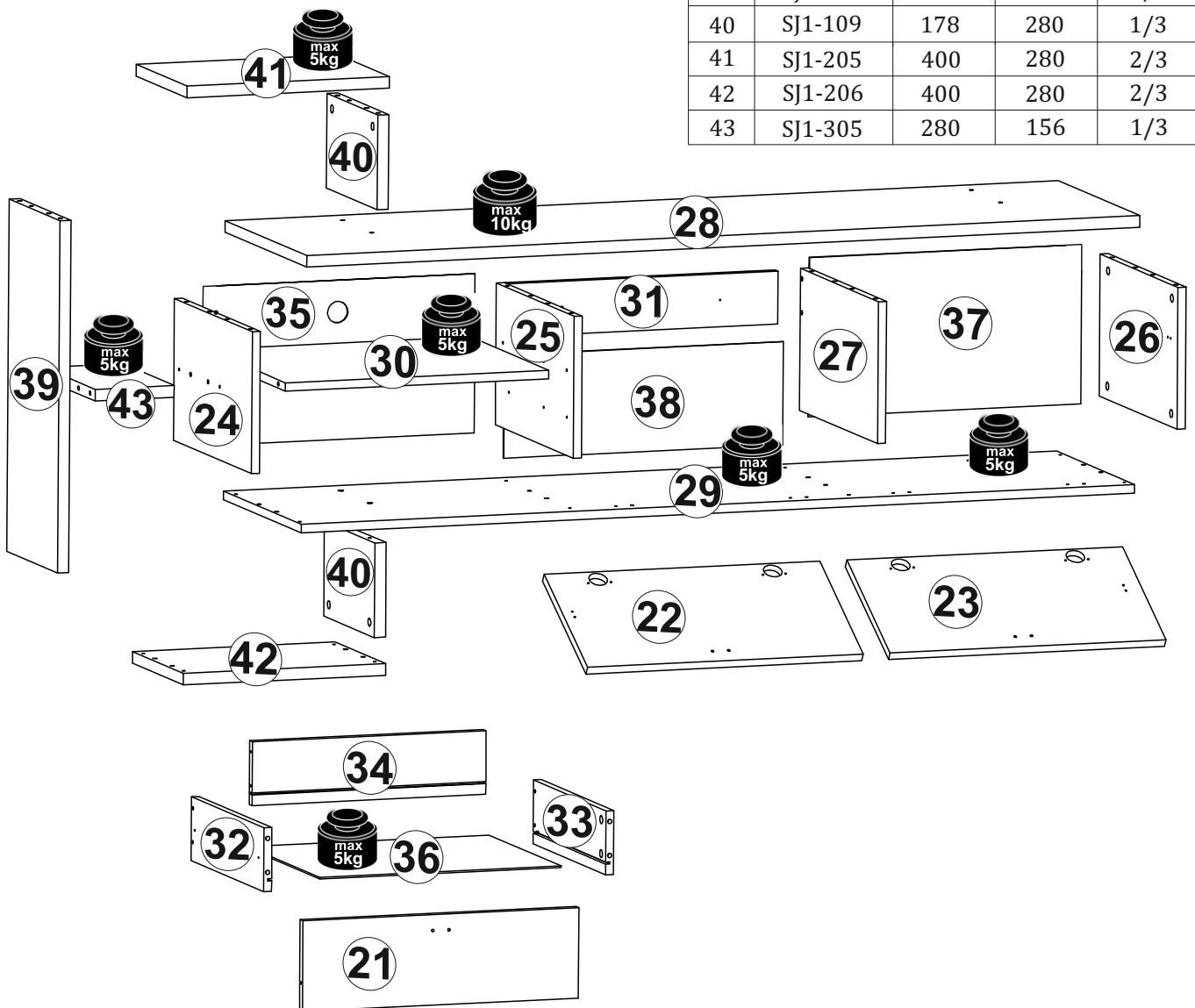









A	B	C	D	
21	SJ1-001	545	170	3/3
22	SJ1-002	545	279	3/3
23	SJ1-006	545	279	3/3
24	SJ1-101	267	430	2/3
25	SJ1-102	267	430	2/3
26	SJ1-103	267	430	2/3
27	SJ1-104	267	430	2/3
28	SJ1-201	1646	450	3/3
29	SJ1-202	1646	430	3/3
30	SJ1-301	520	430	2/3
31	SJ1-402	535	100	2/3
32	SJ1-501	400	120	2/3
33	SJ1-502	400	120	2/3
34	SJ1-503	462	120	2/3
35	SJ1-901	542	300	3/3
36	SJ1-904	399	477	3/3
37	SJ1-905	538	300	3/3
38	SJ1-906	551	194	1/3
39	SJ1-111	663	280	1/3
40	SJ1-109	178	280	1/3
41	SJ1-205	400	280	2/3
42	SJ1-206	400	280	2/3
43	SJ1-305	280	156	1/3



1 

22x  $\phi 15 \times 12 \text{ mm}$ #16 **r1**


34x  20/9 **r16**

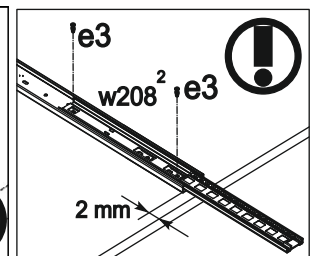
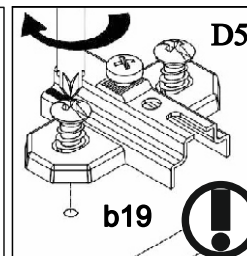
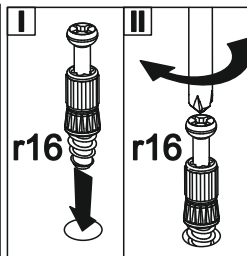
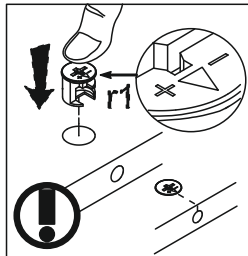
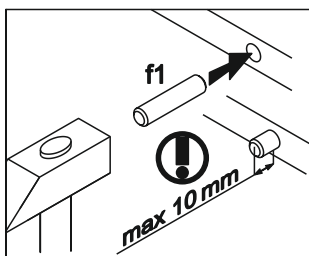
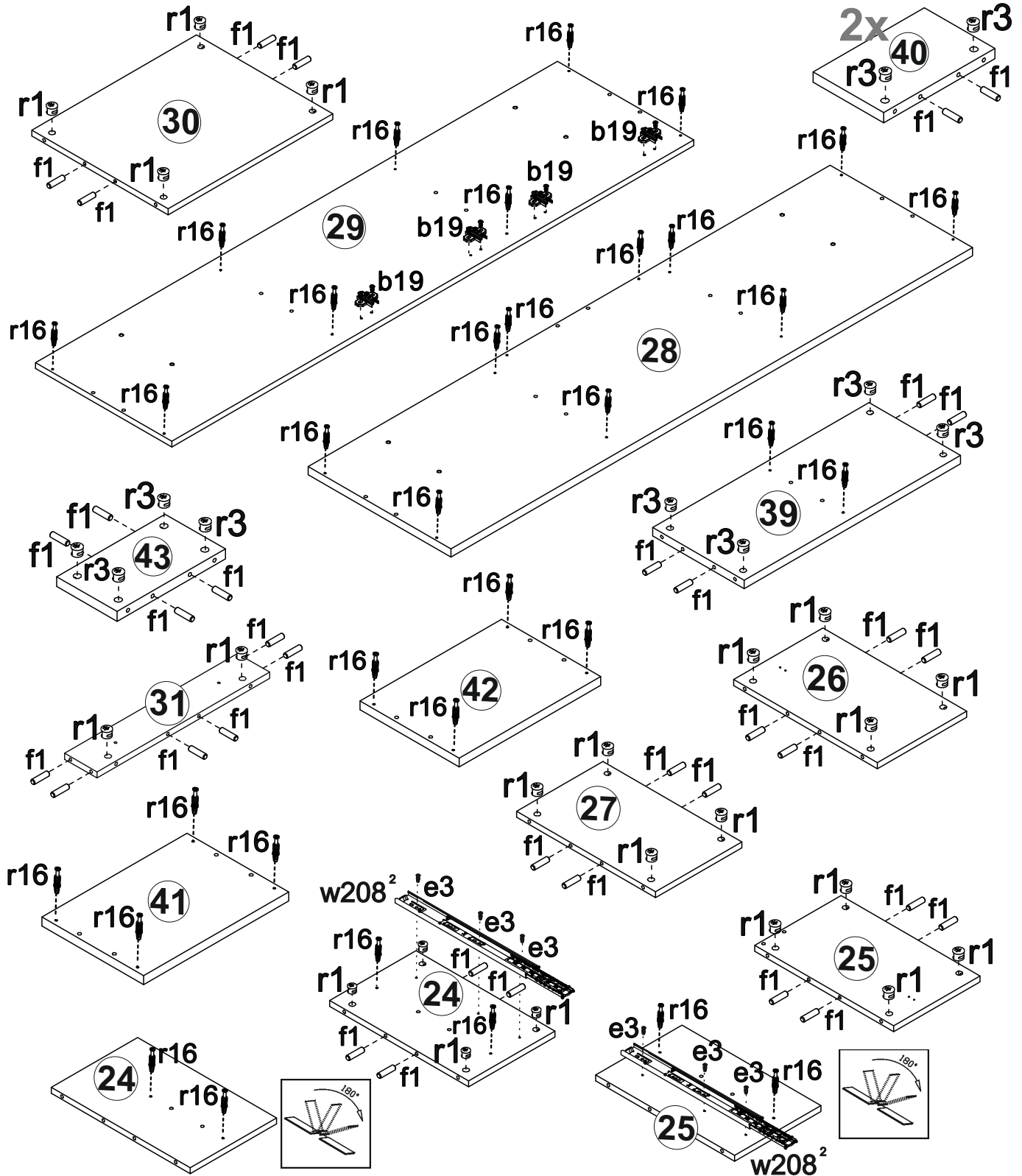
38x  $\phi 8 \times 30 \text{ mm}$ **f1**

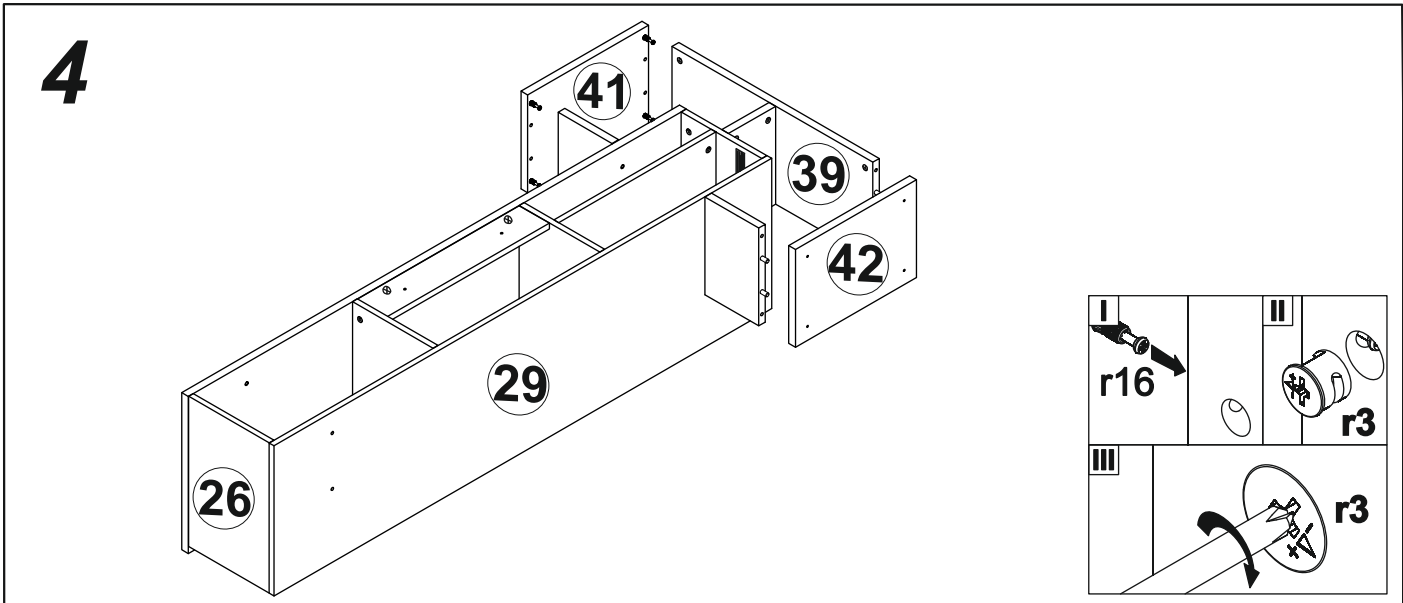
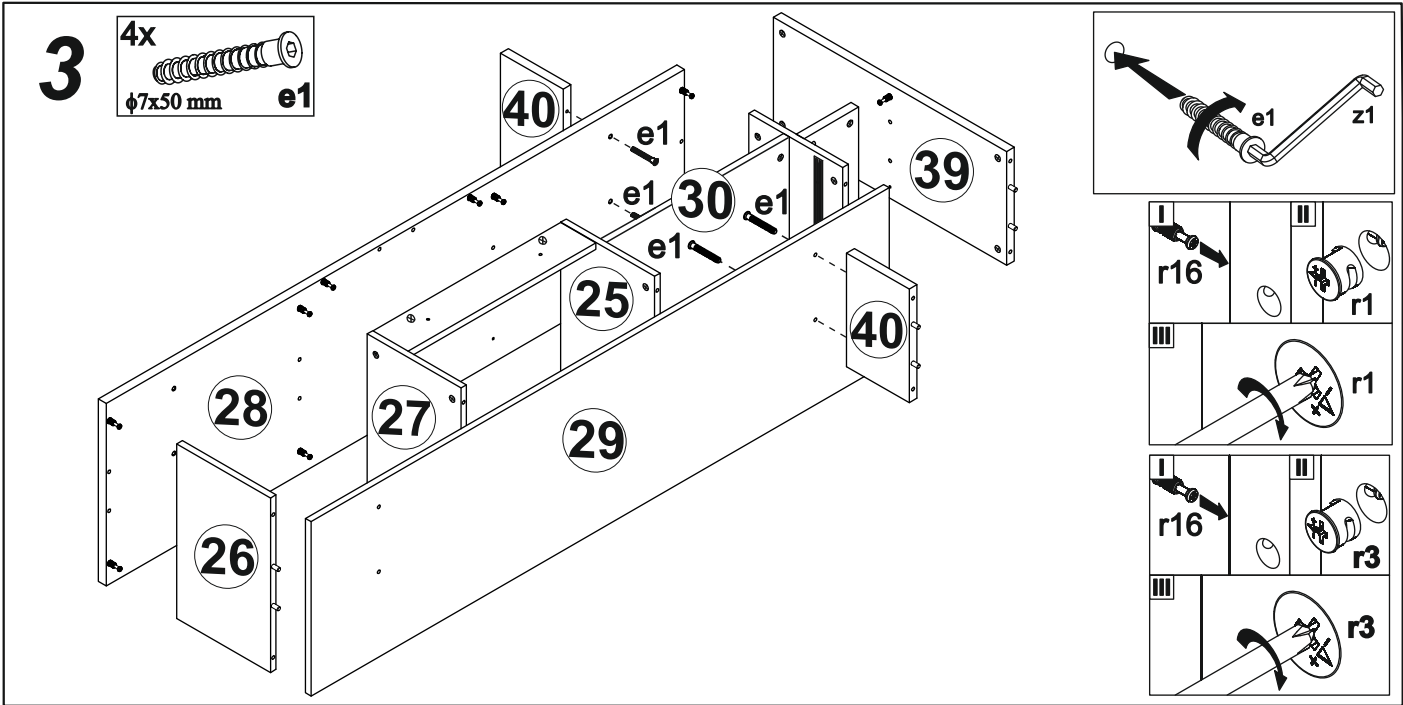
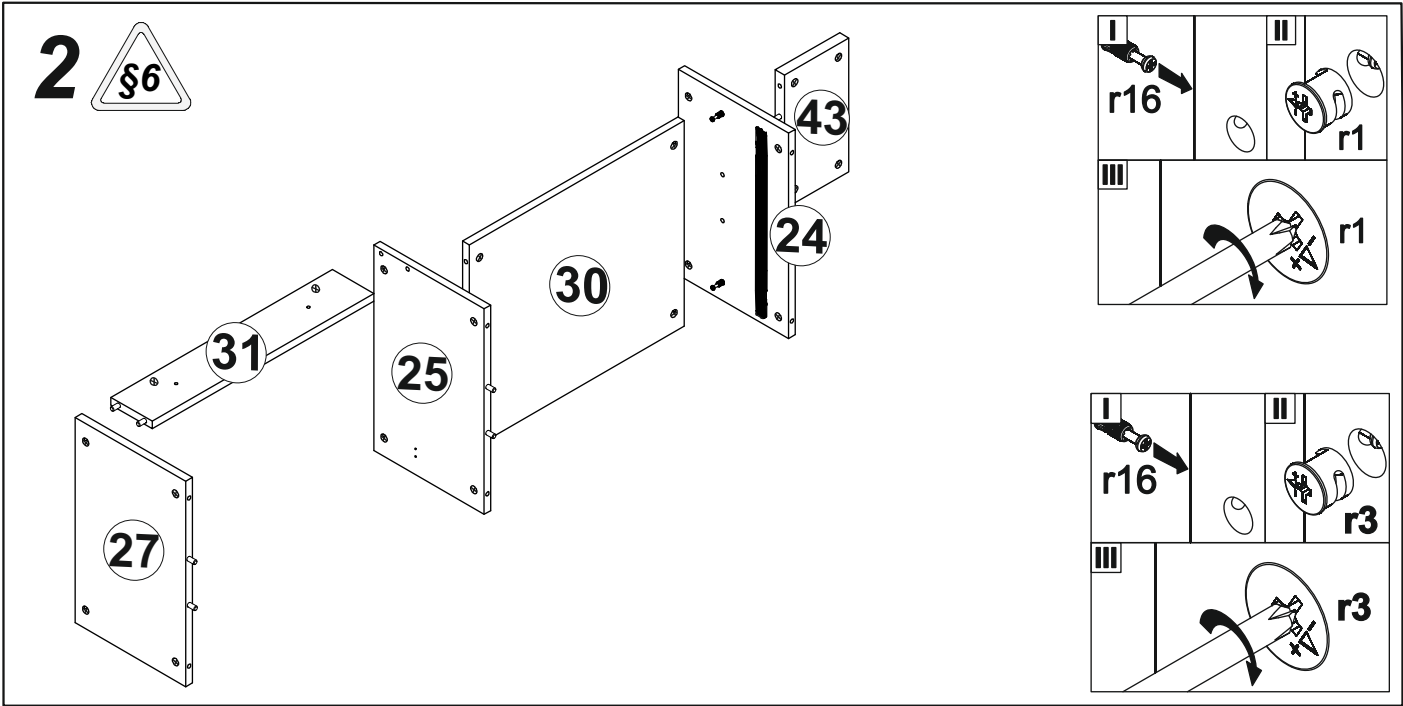
6x  $\phi 6 \times 13 \text{ mm}$ **e3**

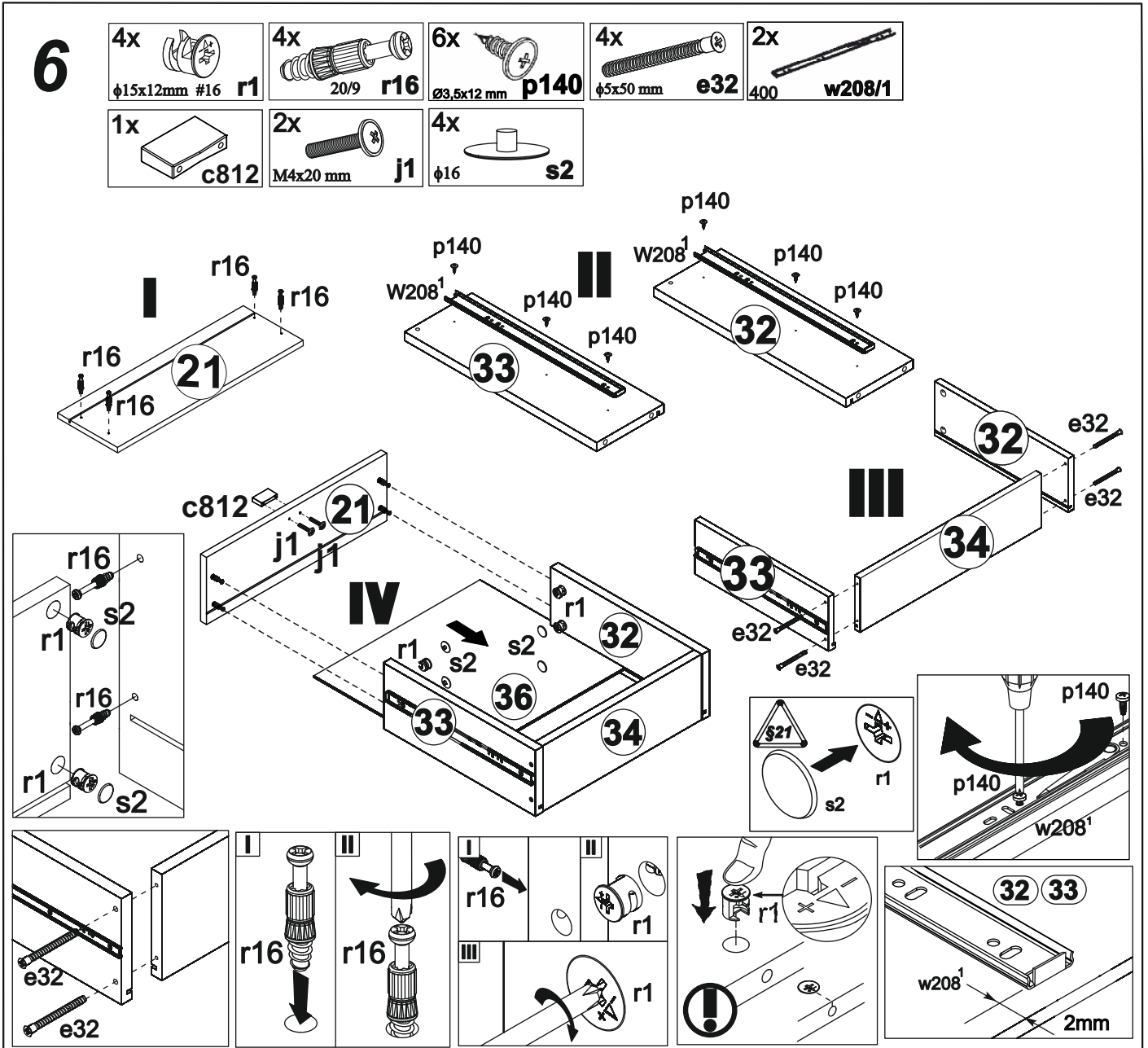
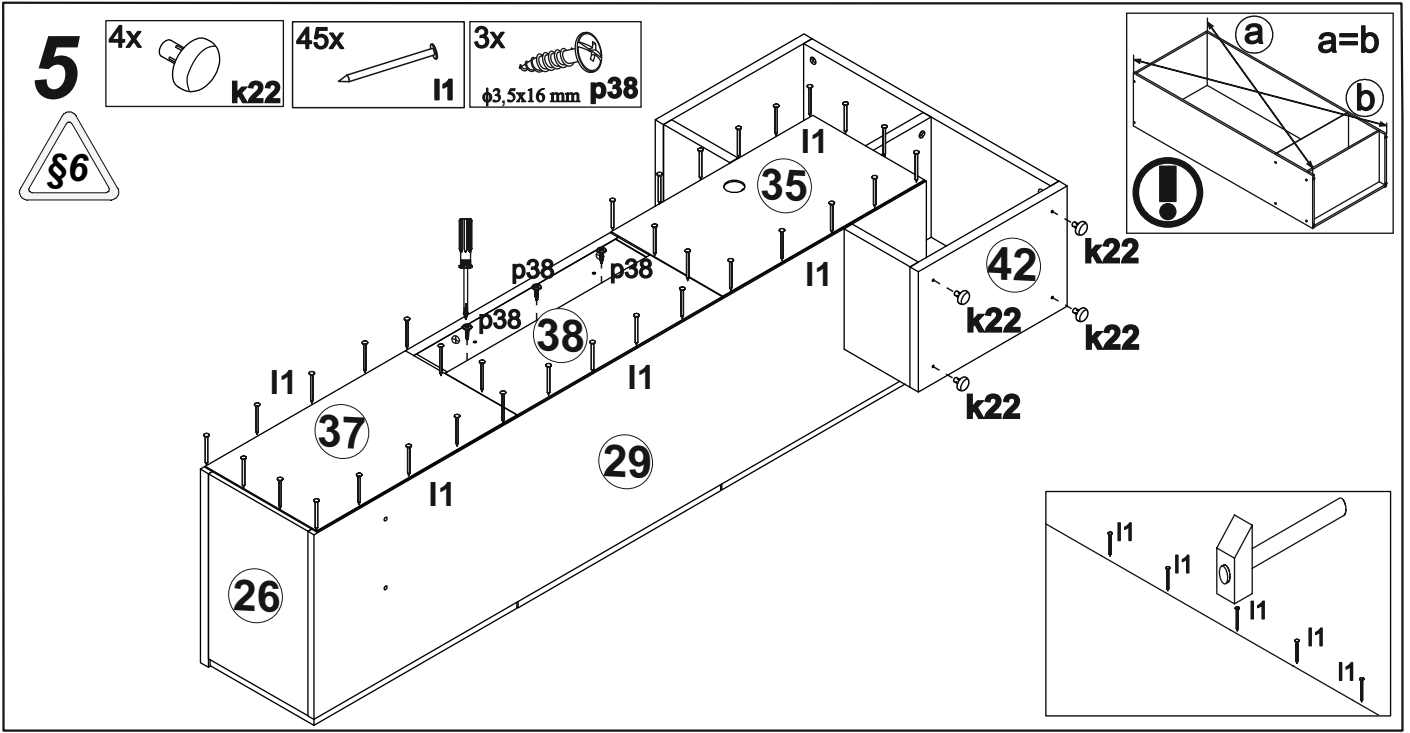
2x  400 **w208/2**

4x  **b19**

D5  12x $\phi 15 \times 15 \text{ mm}$ #22 **r3**

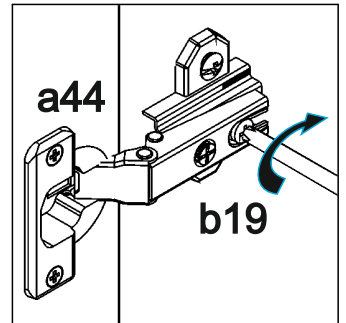
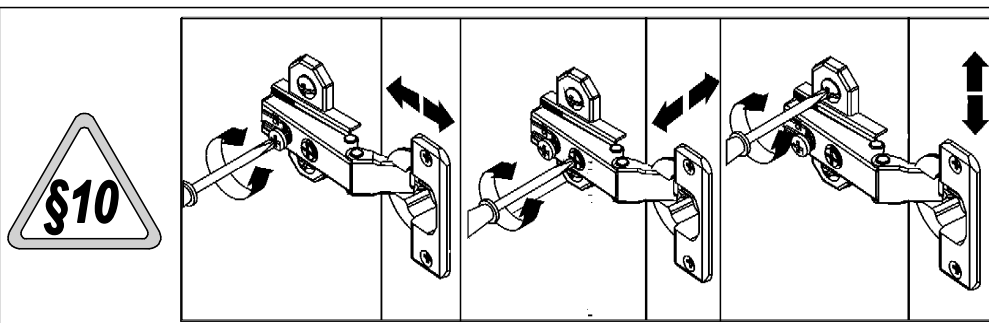
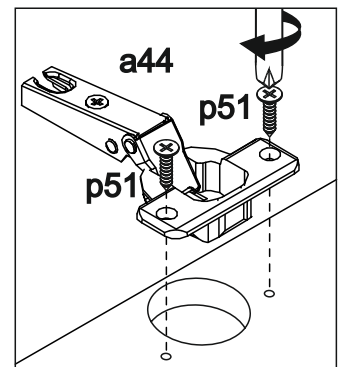
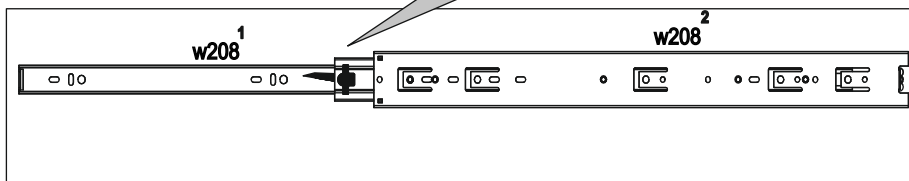
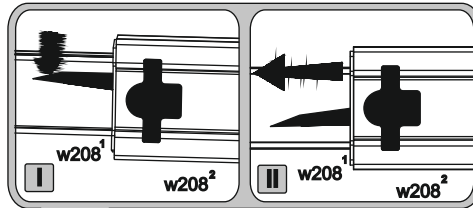
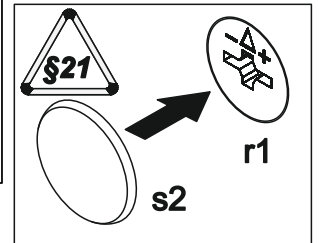
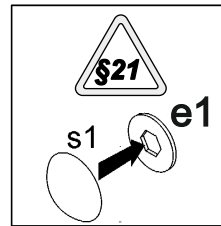
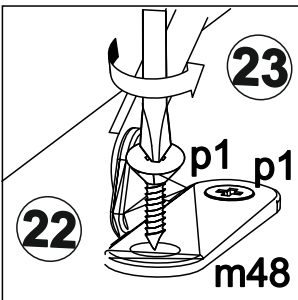
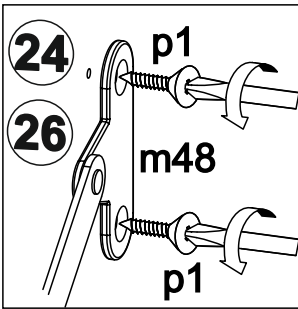
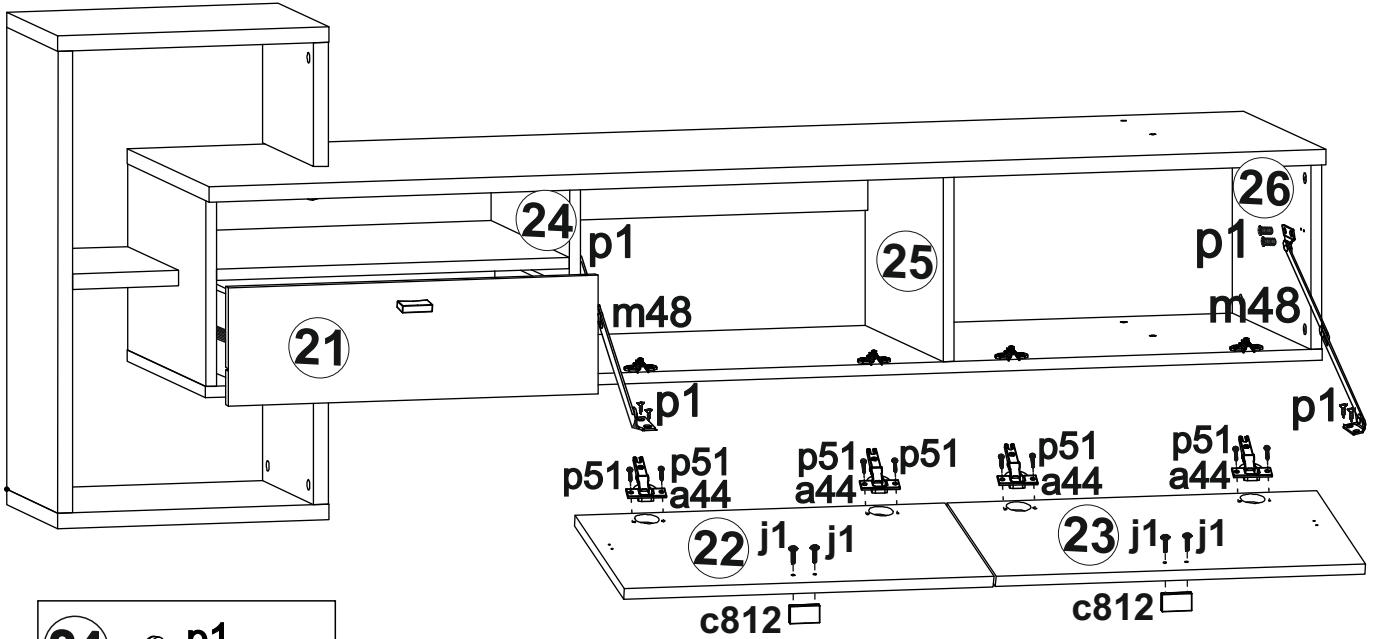






7

- 2x L-230 **m48**
- 8x $\phi 3,5 \times 13$ mm **p1**
- 4x $\phi 3,5 \times 15$ mm **a44**
- 8x $\phi 3,5 \times 15$ mm **p51**
- 2x **s1**
- 26x $\phi 16$ **s2**
- 2x **c812**
- 4x M4x20 mm **j1**

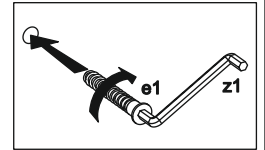
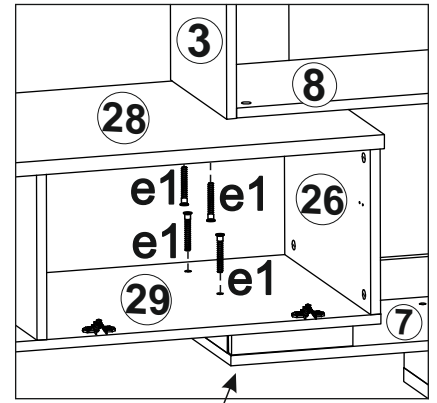
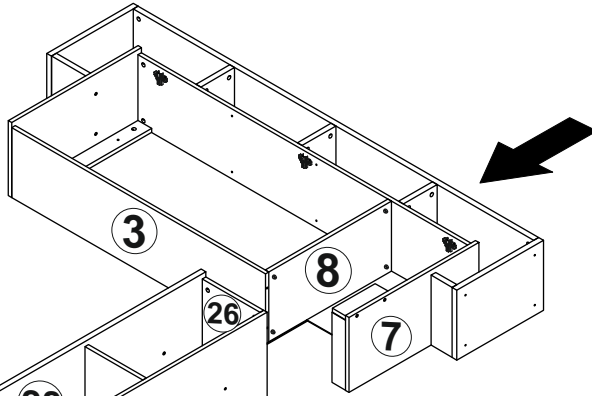


8

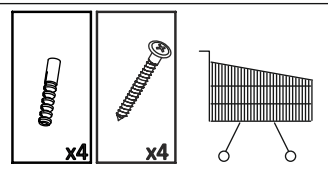
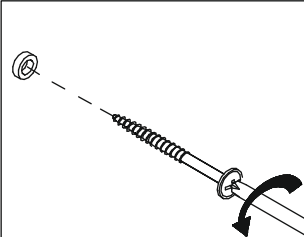
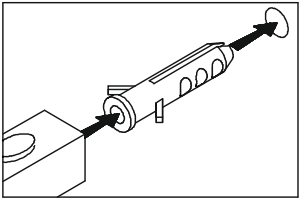
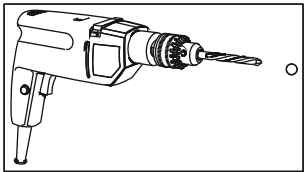
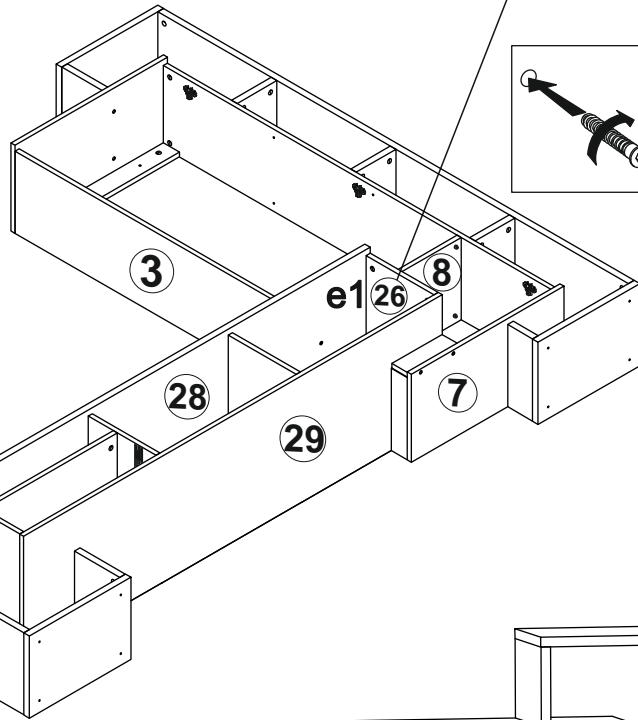


4x
φ7x50 mm e1

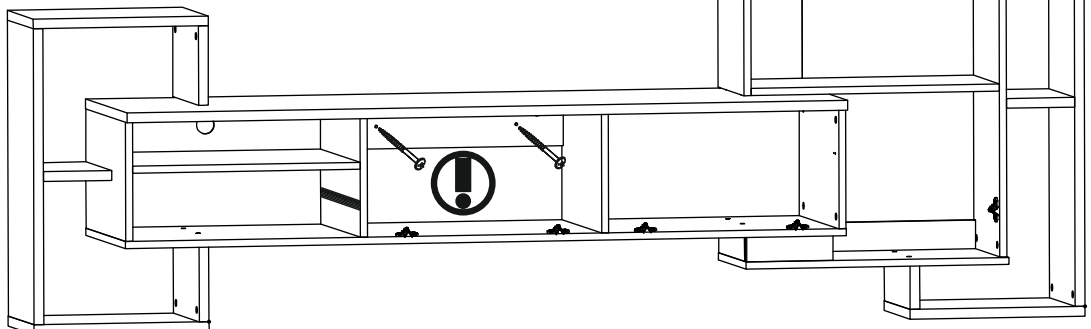
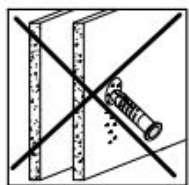
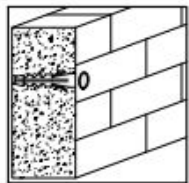
I



II



III





A	B	C	D
44	SJ1-306	1399	150
45	SJ1-401	1400	80

