
















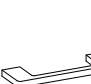
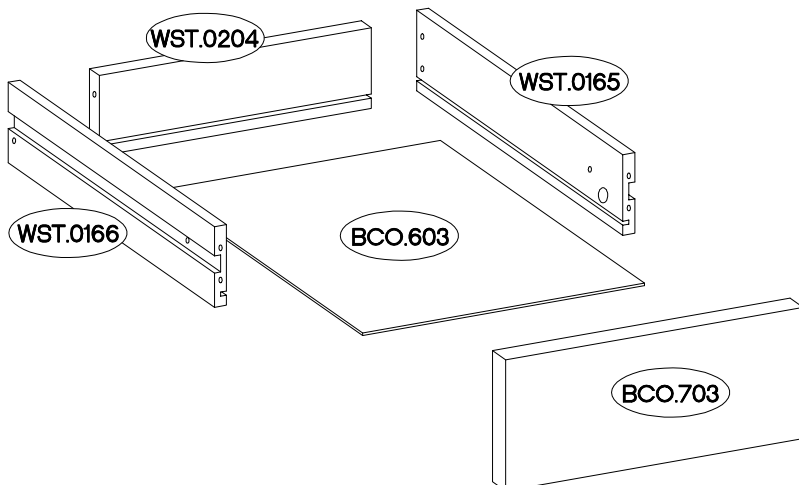
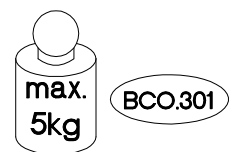
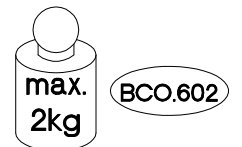
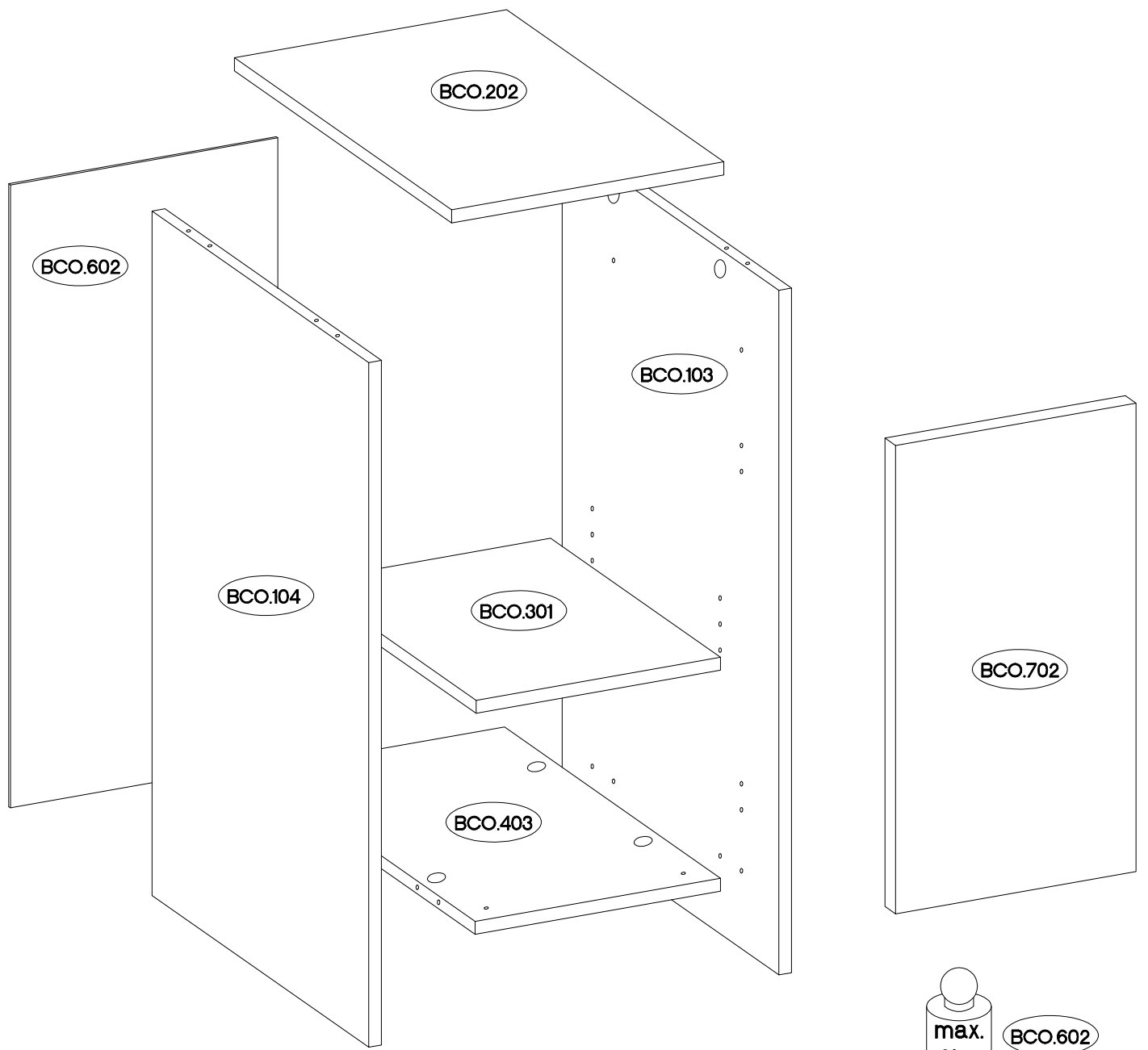

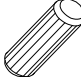
 A 12	 B2 2	 C 8	 C5 2	 D2 10	 E 4	 F4 4	 HG2 2	 I 1	 J3 4	 J12 1	 L9 1
 M 4	 O7 1	 P5 5	 P7 15-20	 R2 4	 U1 2	 S 2					

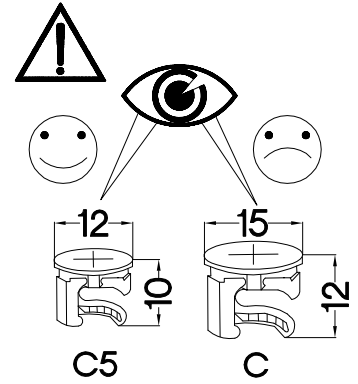
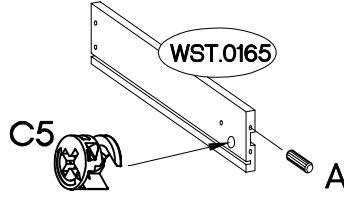
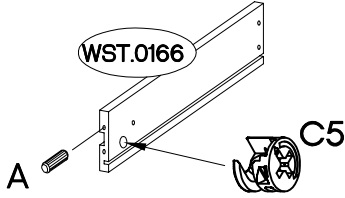
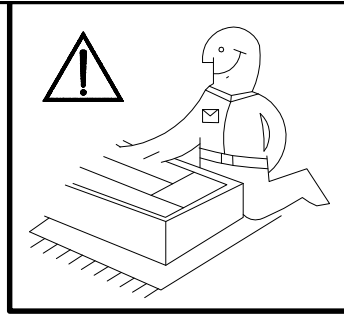
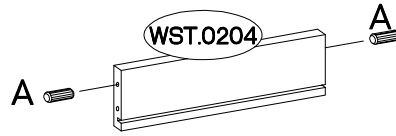
ISM-BCO-02




Colli	Ersatzteil Nummer	Dimension
Colli 1/1	BCO.103	842x325x16
	BCO.104	842x325x16
	BCO.202	340x326x16
	BCO.301	305x255x16
	BCO.403	306x324x16
	BCO.602	766x334x2,5
	BCO.603	284x247x2,5
	BCO.702	576x300x16
	BCO.703	300x153x16
	WST.0165	250x80x12
	WST.0166	250x80x12
	WST.0204	274x80x12

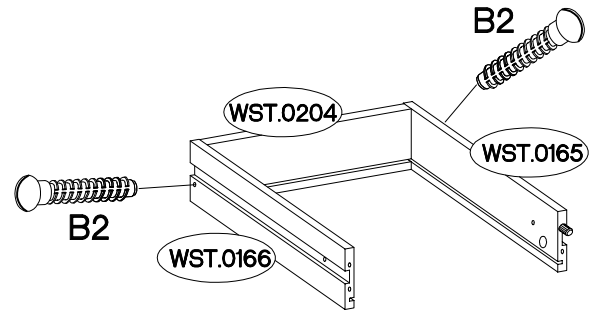
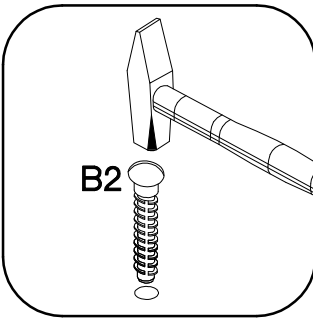
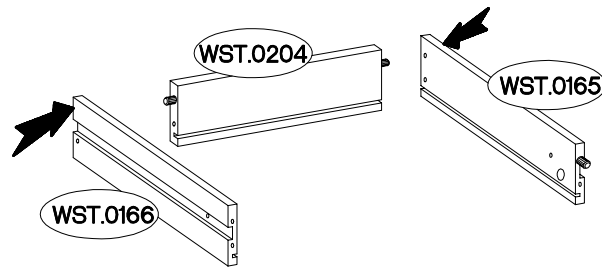
1

±12/10mm  C5 2	±8x30mm  A 4
---	---

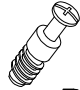


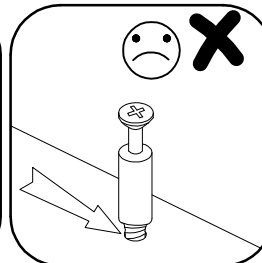
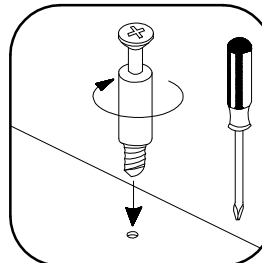
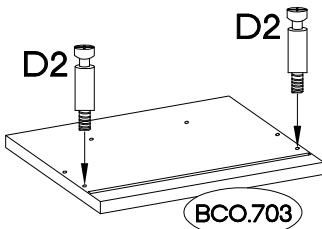
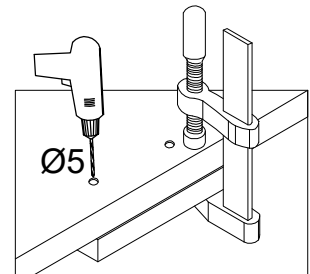
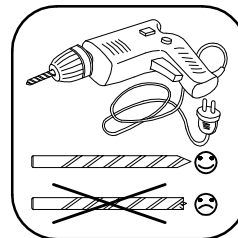
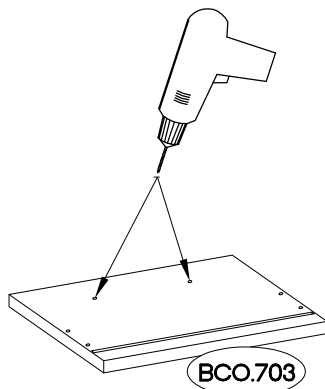
2

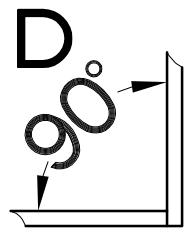
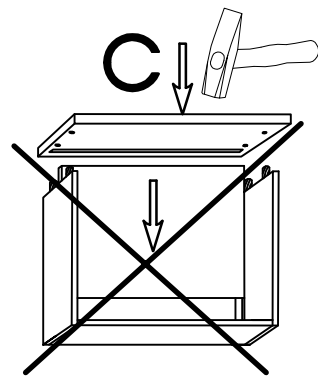
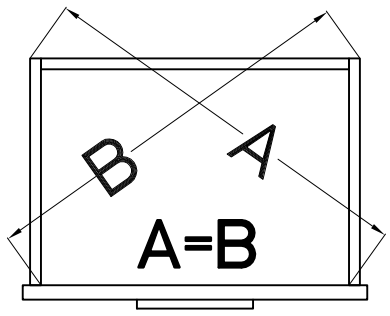
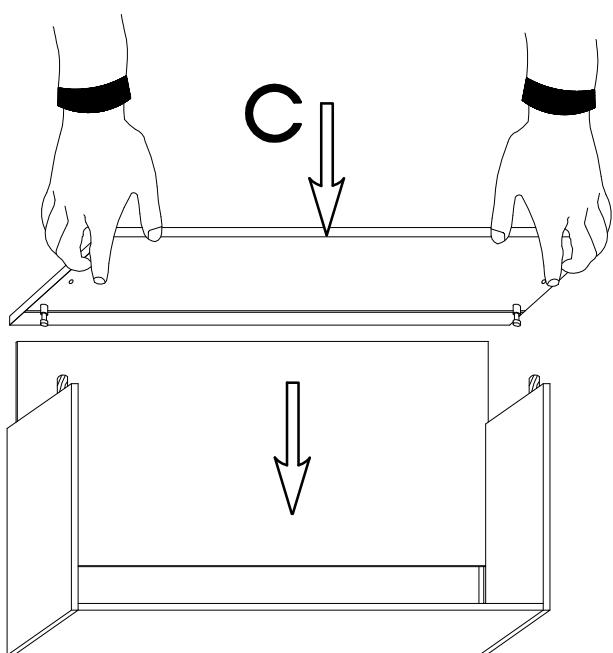
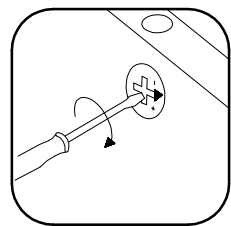
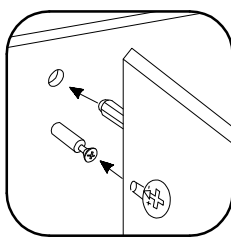
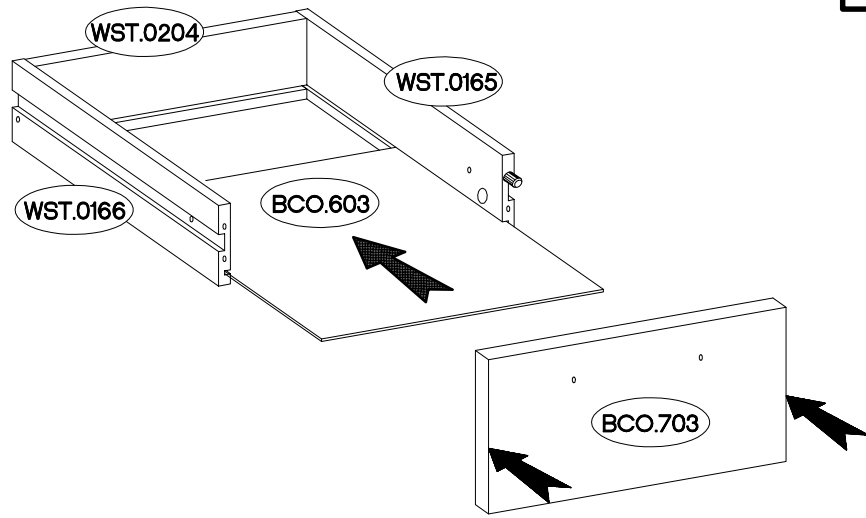
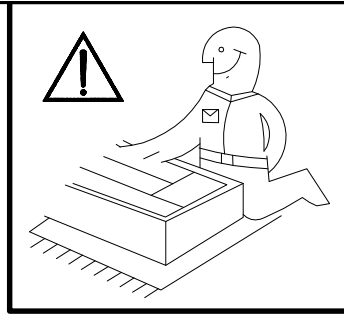
±6x42mm  B2 2

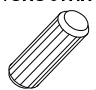







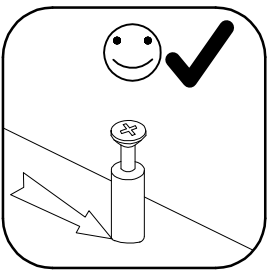
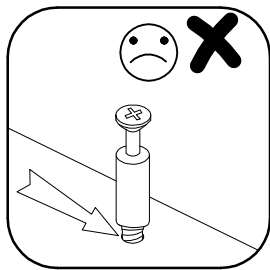
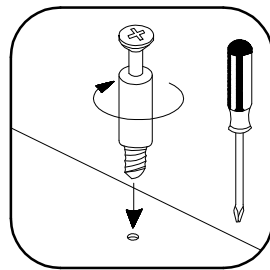
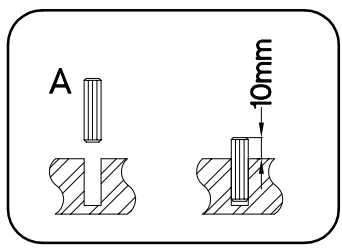
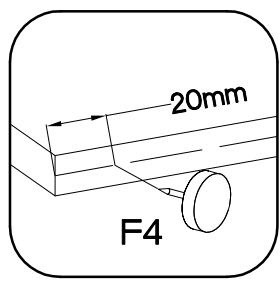
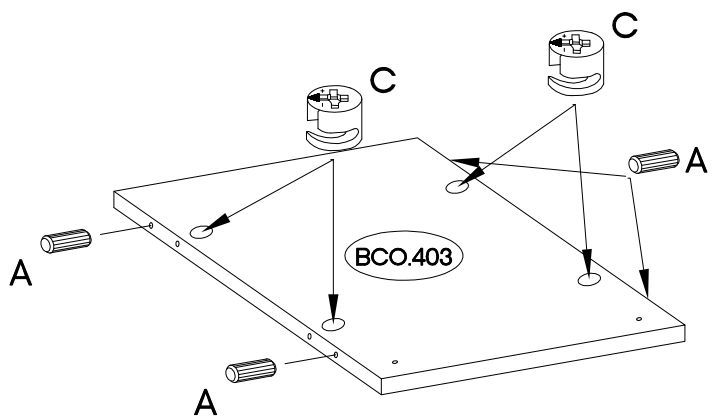
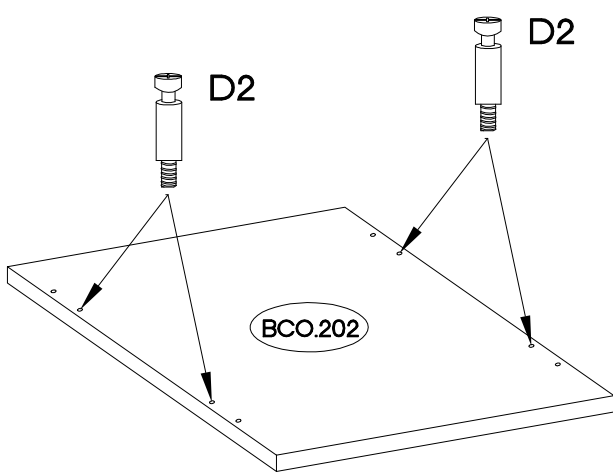
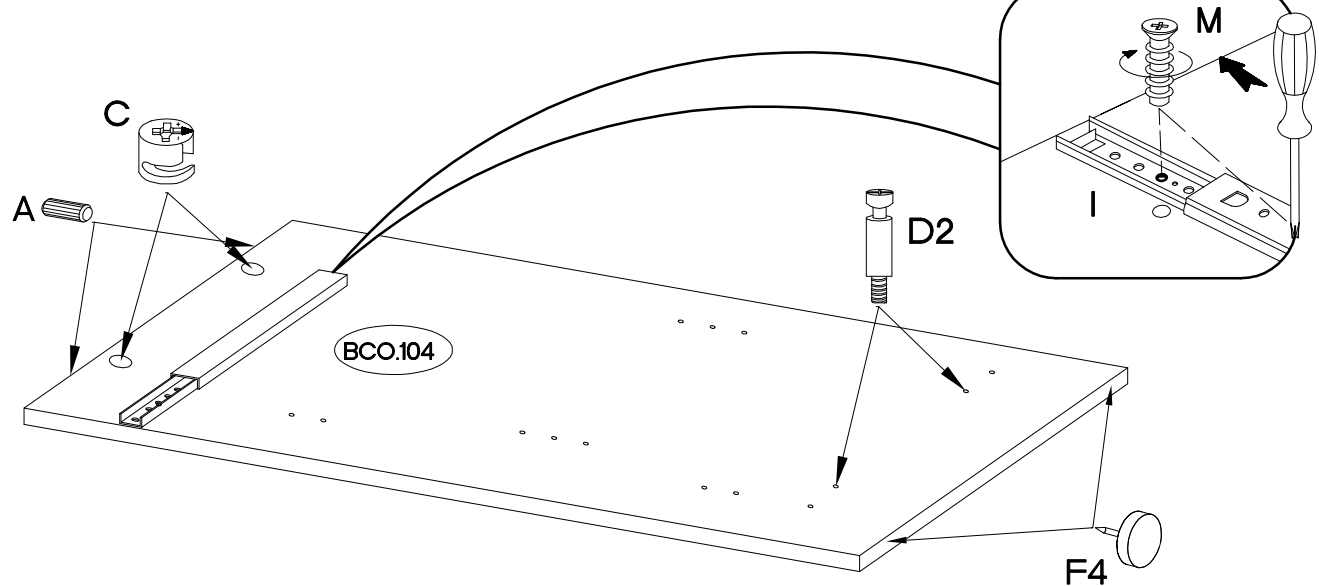
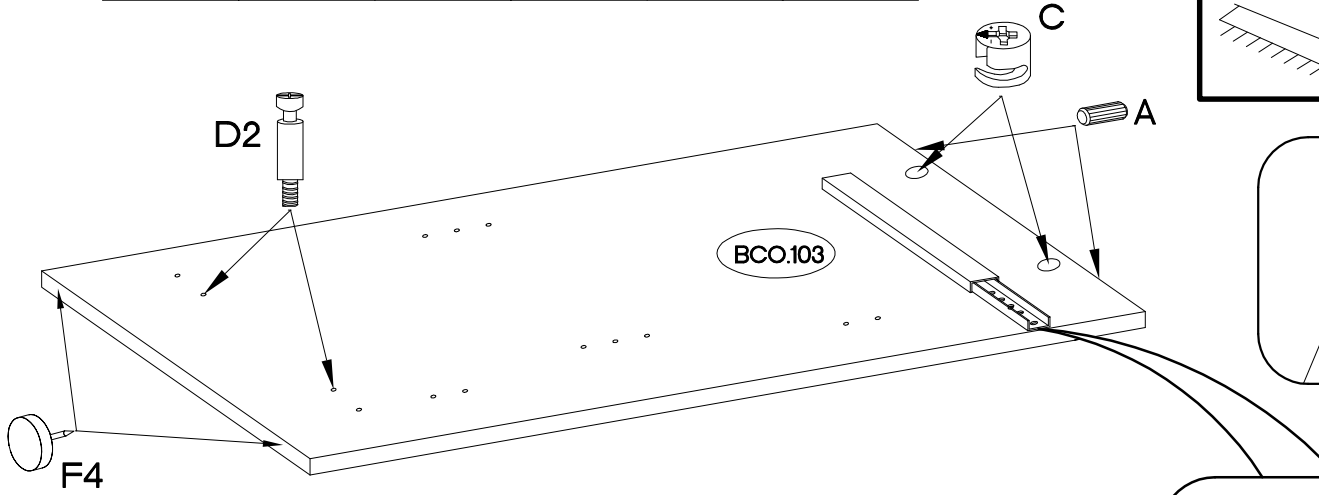
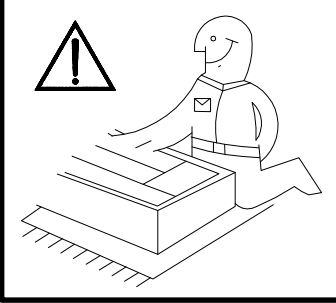
3

L=20mm  D2 2
--

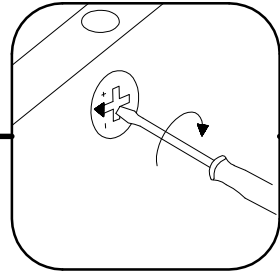
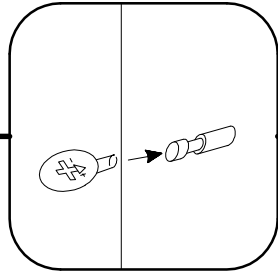
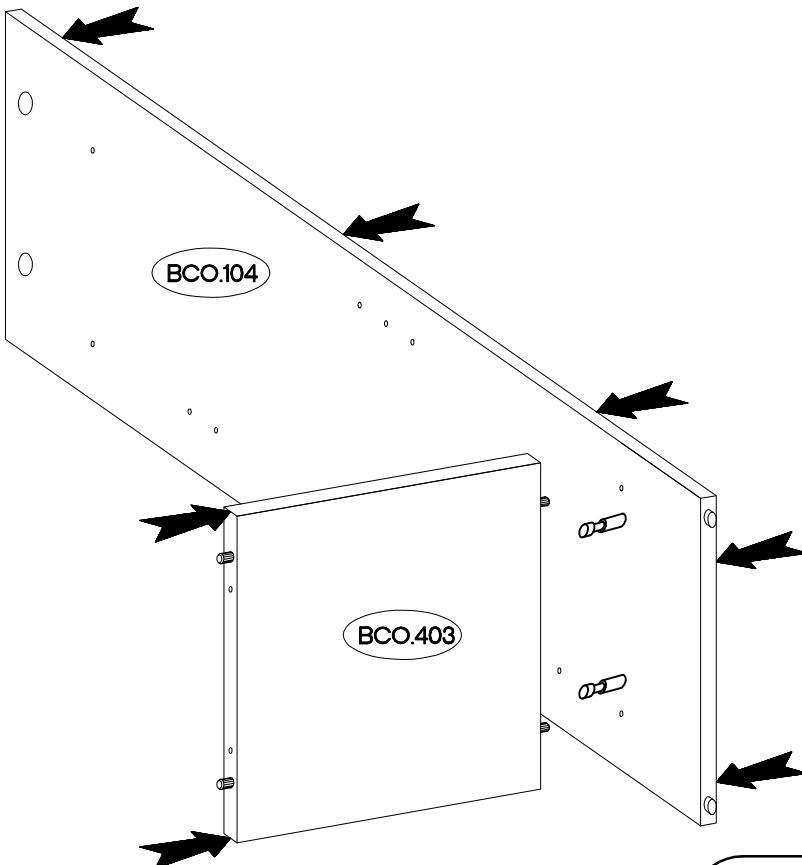
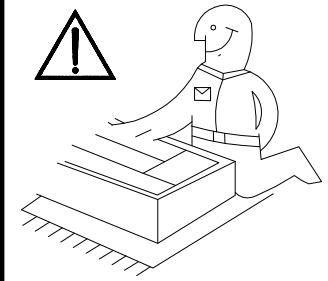




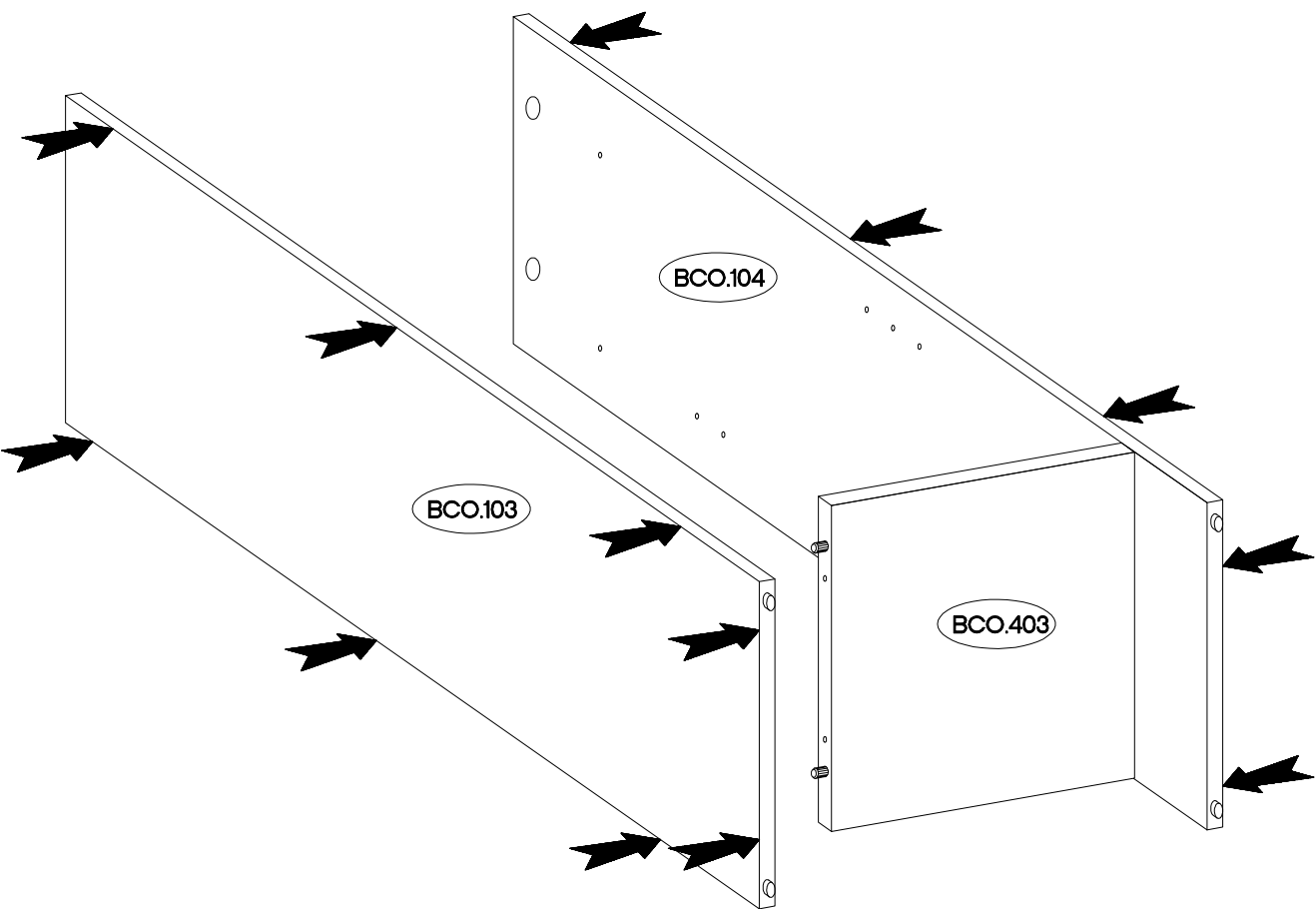
$\varnothing 8 \times 30 \text{mm}$  A 8	$\varnothing 15 / 12 \text{mm}$  C 8	$L = 20 \text{mm}$  D2 8	$\varnothing 15 \times 5 \text{mm}$  F4 4	$17 / 246 \text{mm}$  I 1	$\varnothing 5.0 \times 13 \text{mm}$  M 4
--	--	--	---	---	--



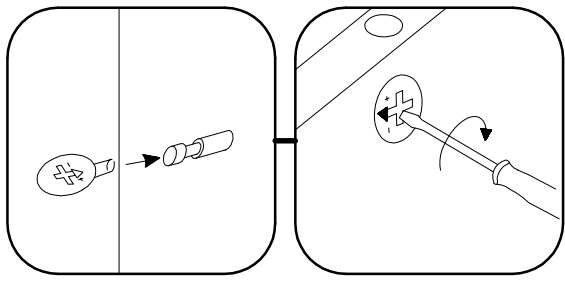
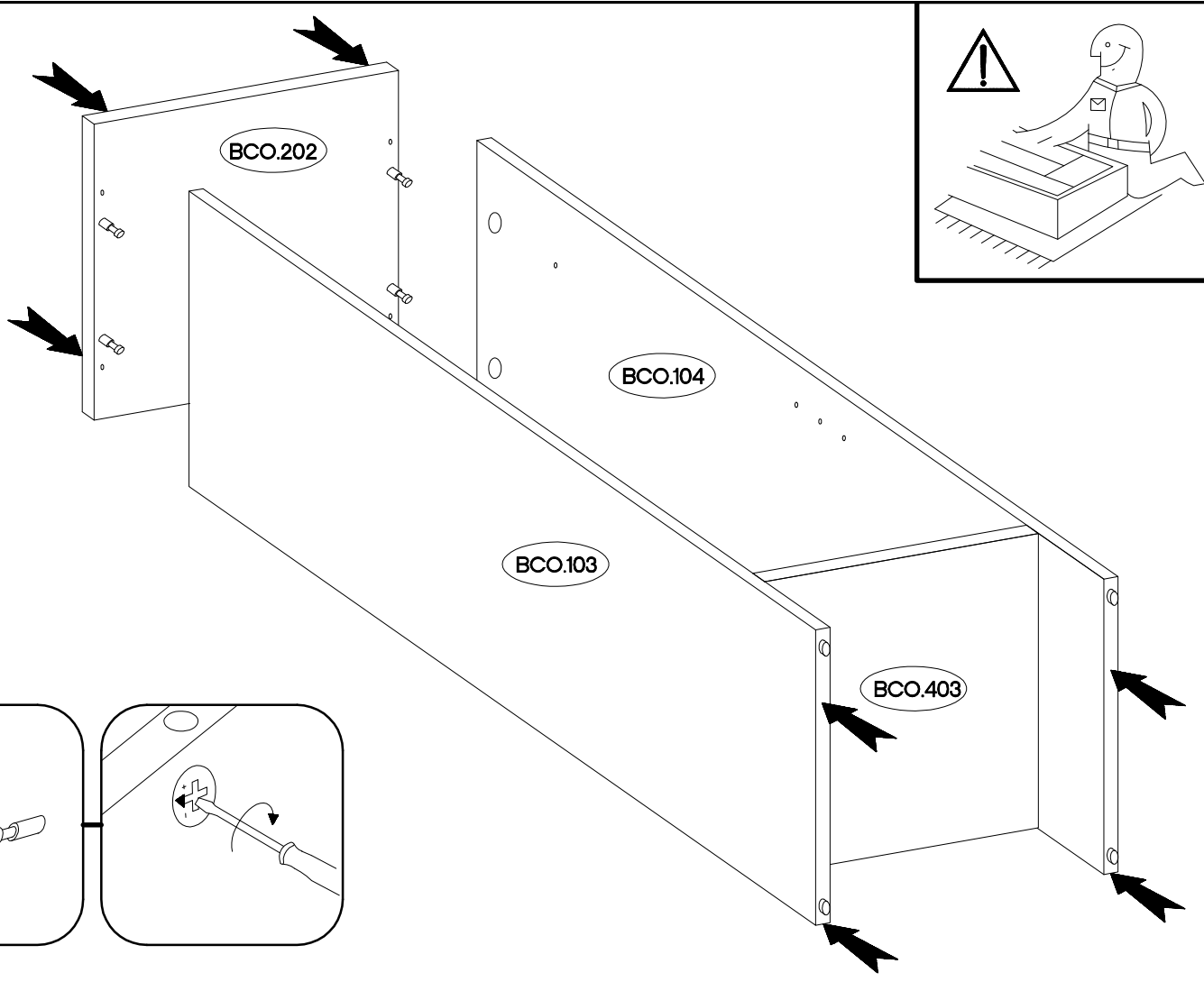
6



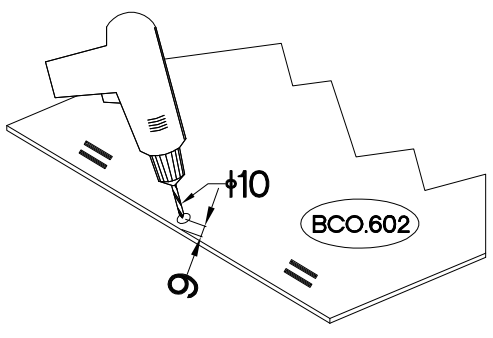
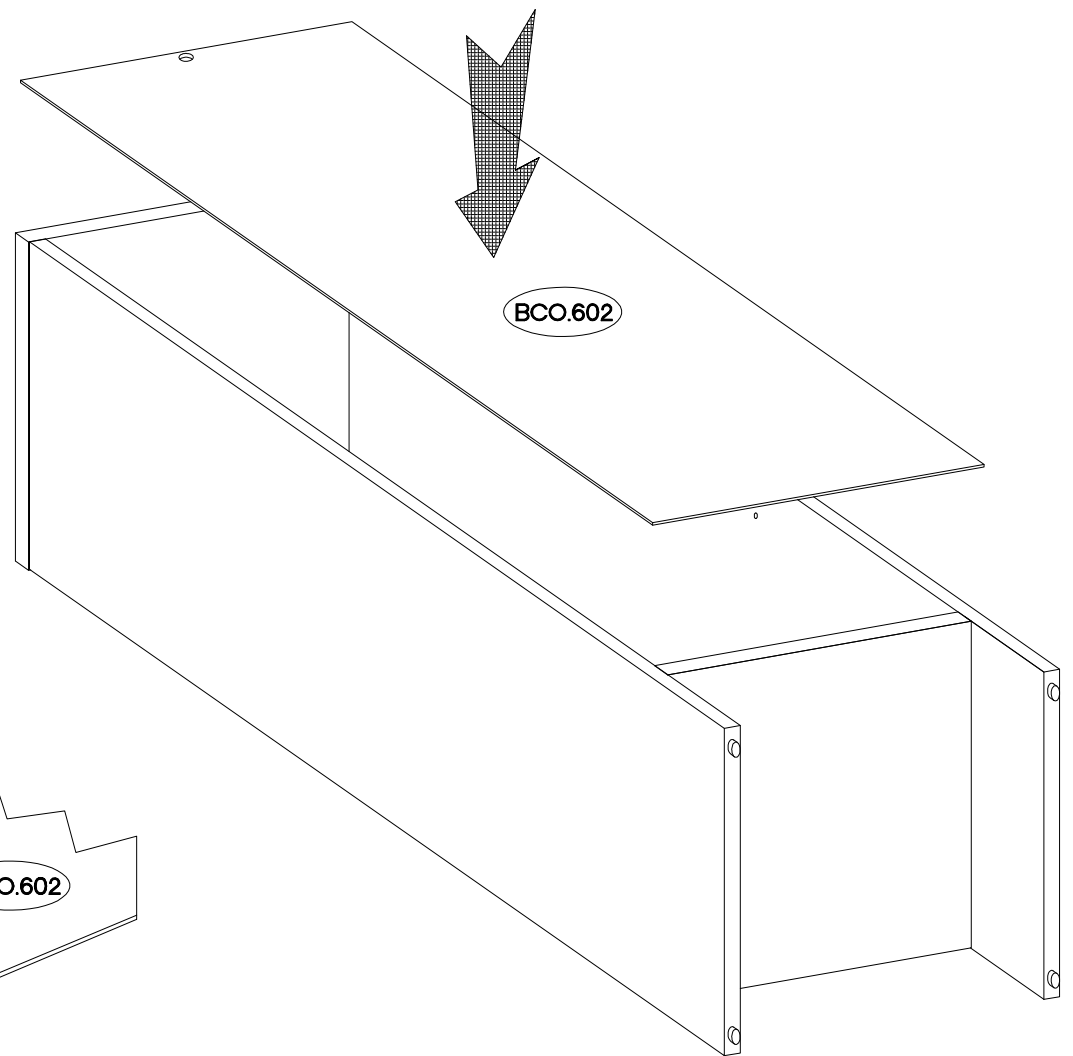
7



8



9

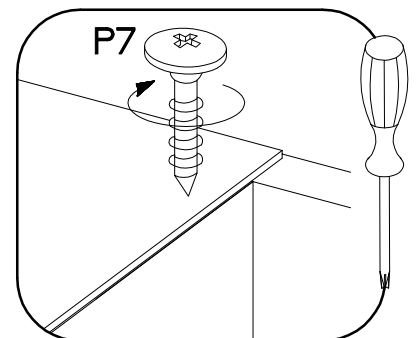
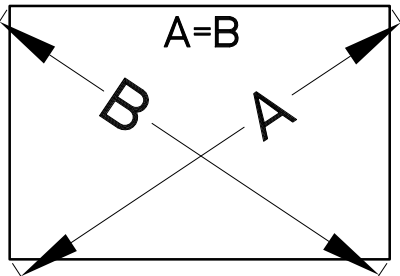
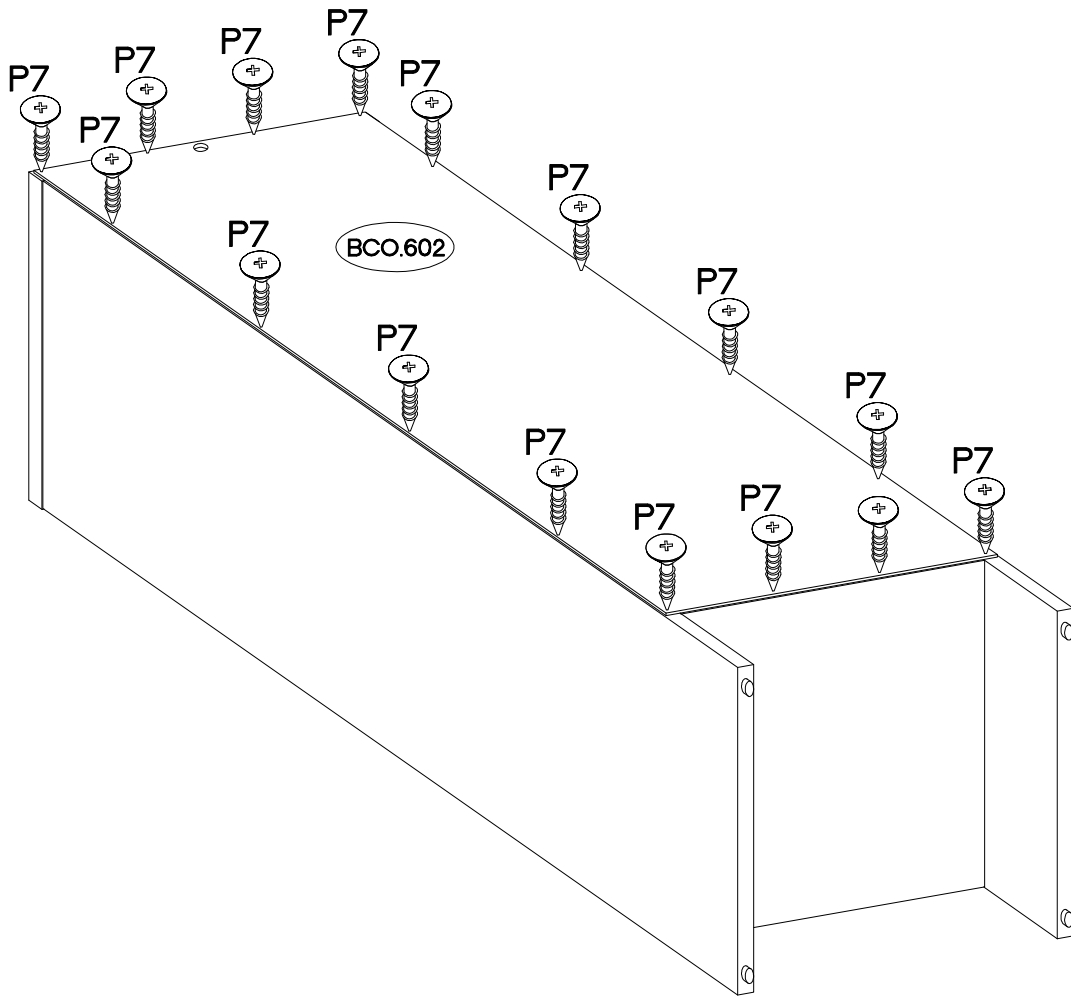
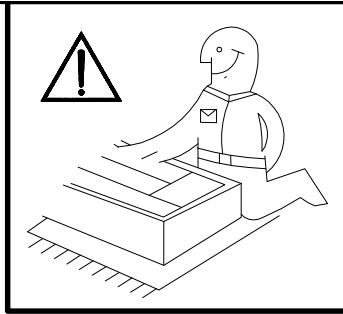





3.0x20mm

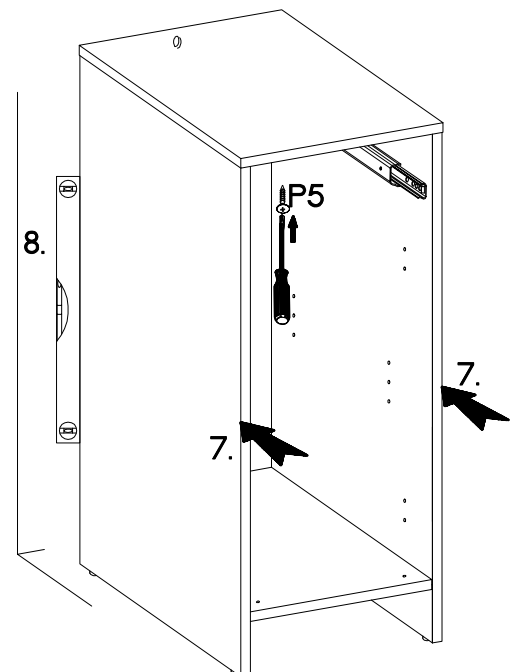
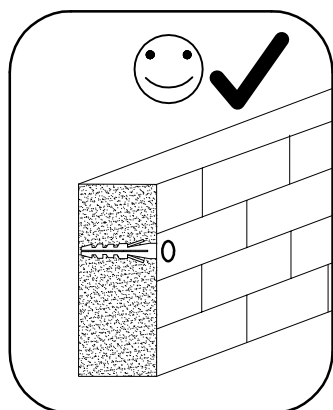
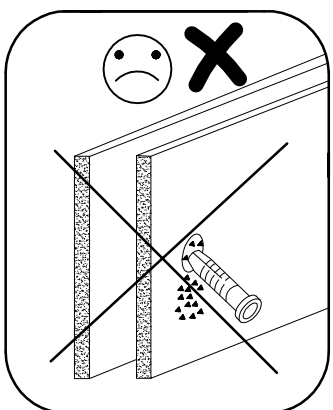
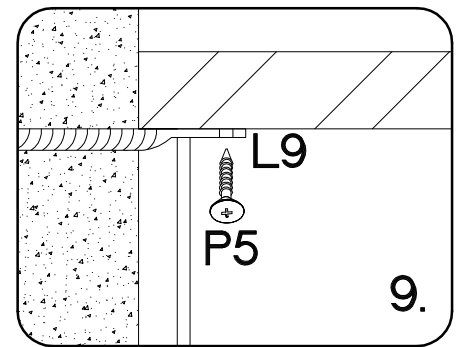
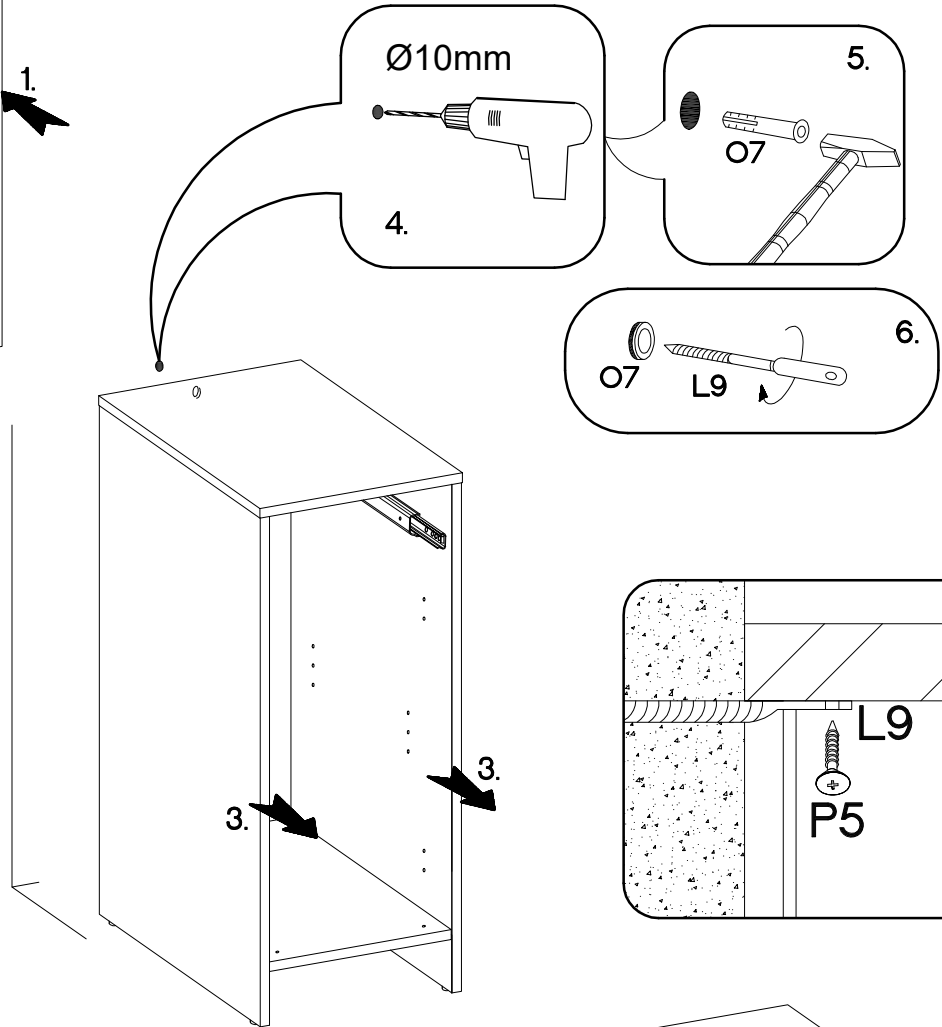
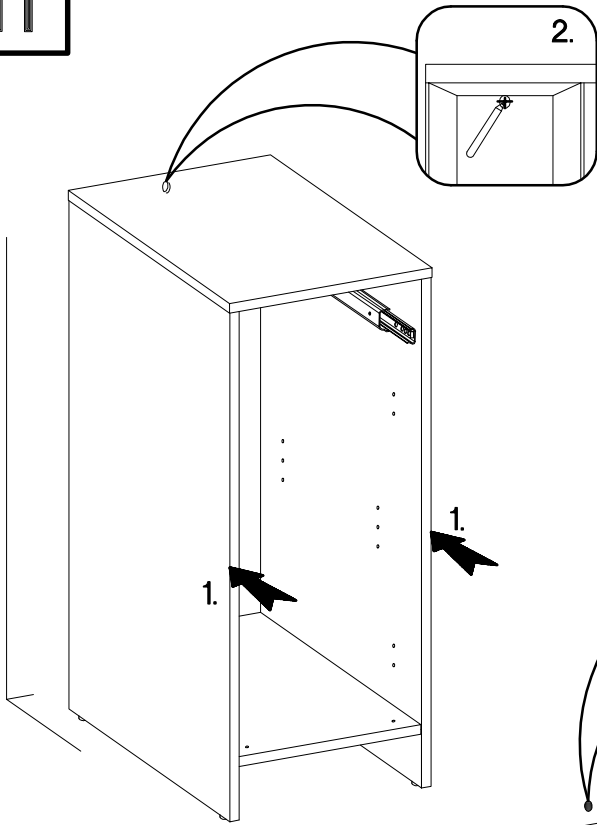


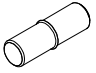




P7

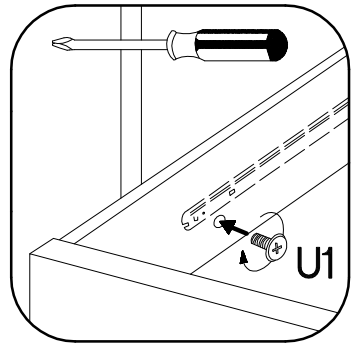
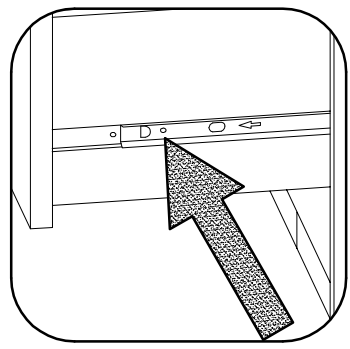
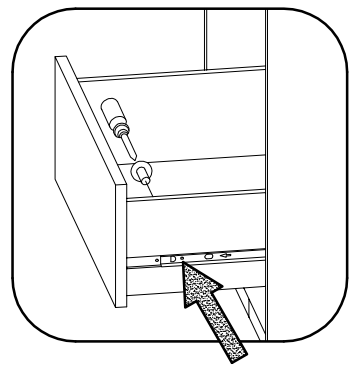
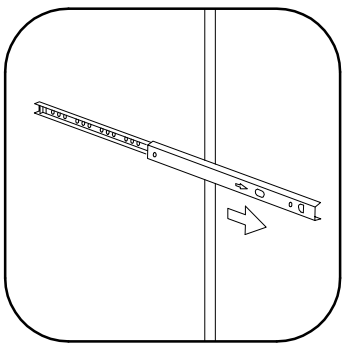
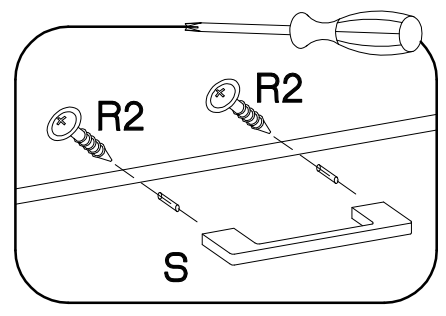
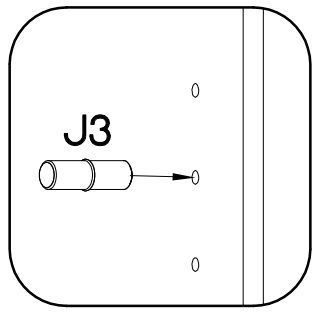
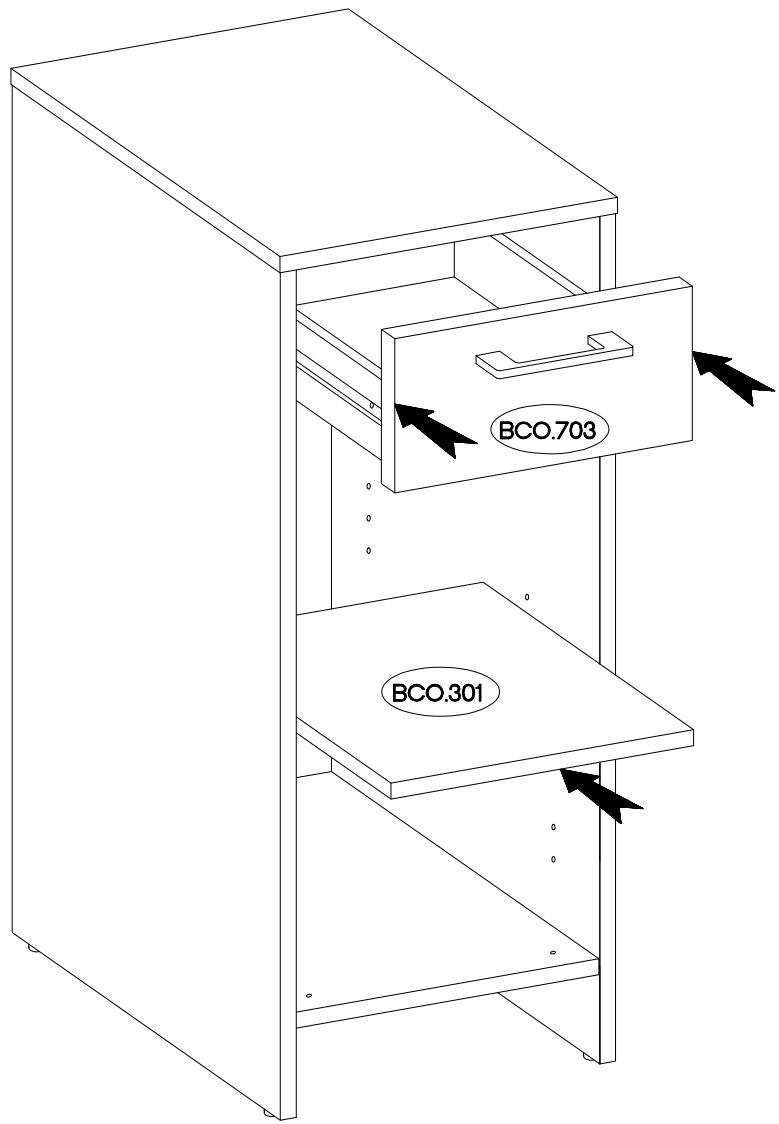
15-20





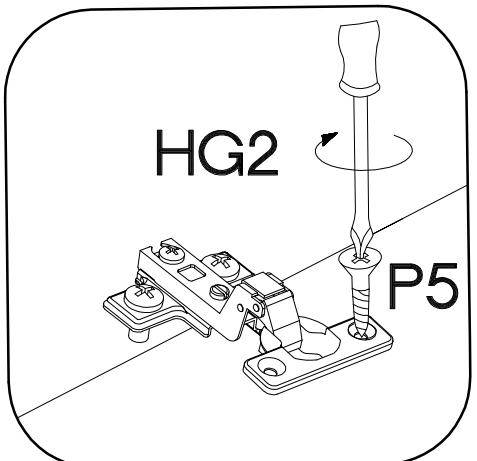
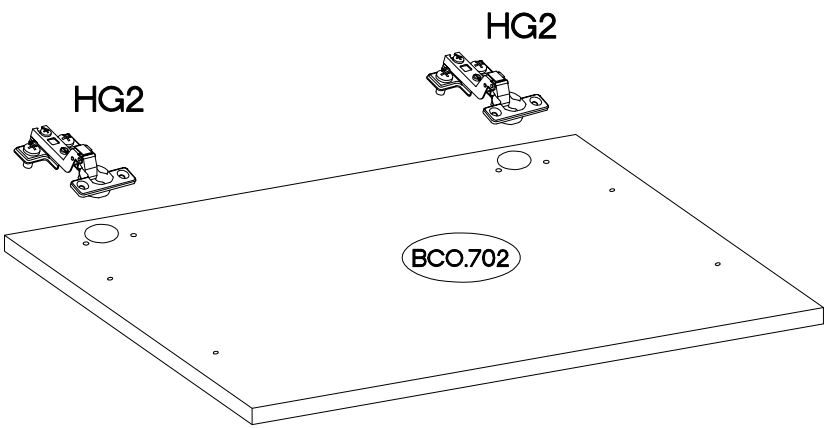
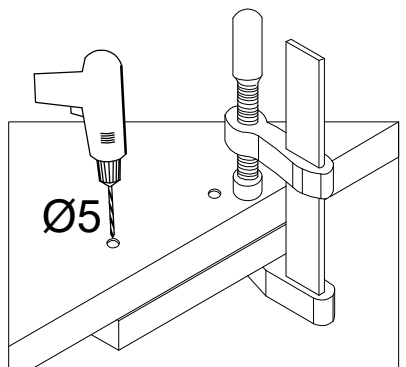
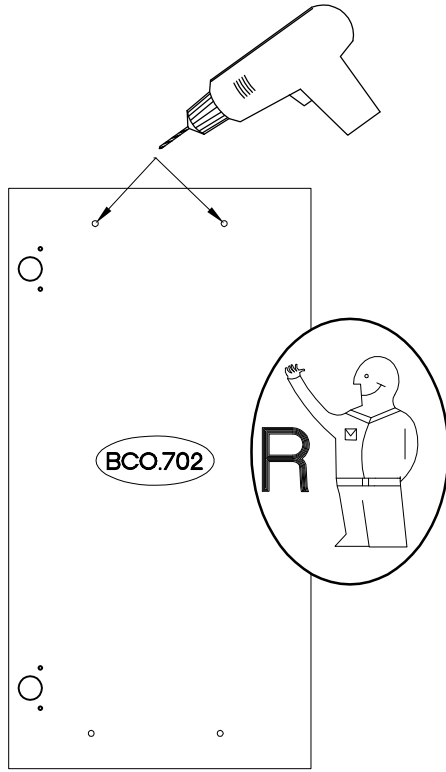
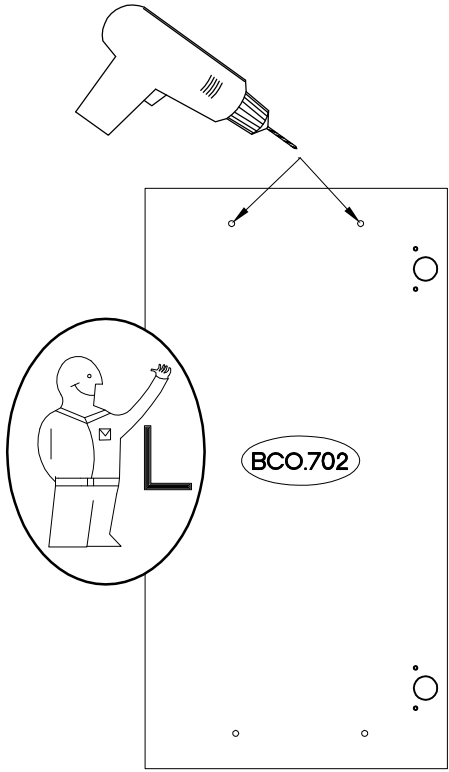
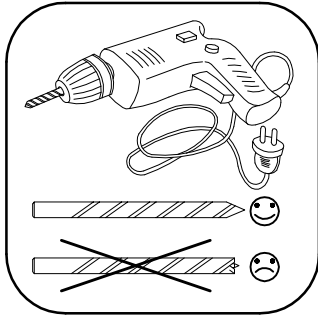
\uparrow 10x50mm  O7 1	 L9 1	\uparrow 3.5x13mm  P5 1
--	--	--

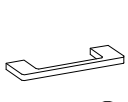




±5/16mm  J3	 E	±4.0x30mm  R2	M4x9mm  U1	 S
4	4	2	2	1



 HG2 2	 P5 4
--	---



	$\pm 4.0 \times 30 \text{mm}$ 	$\pm 5/16 \text{mm}$ 
S	R2	J12
1	2	1

