
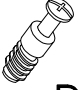



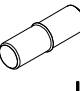
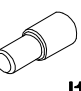

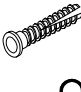



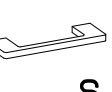
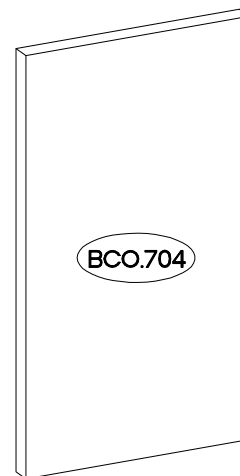
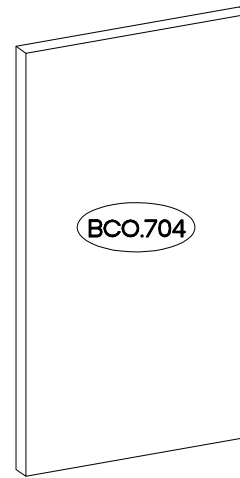
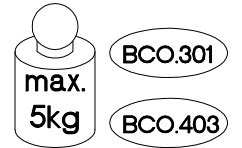
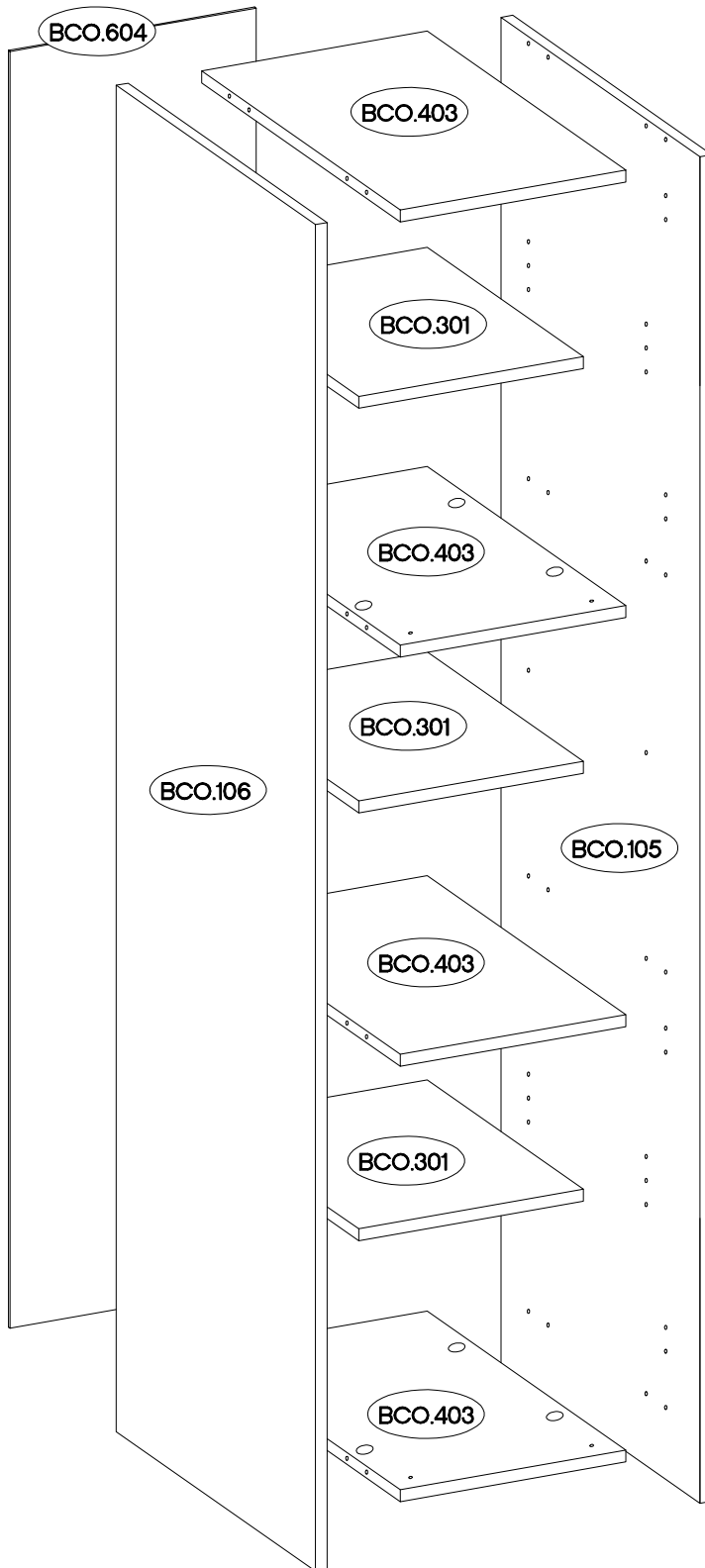
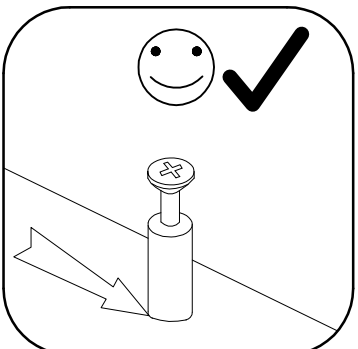
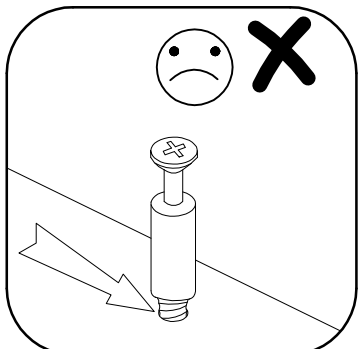
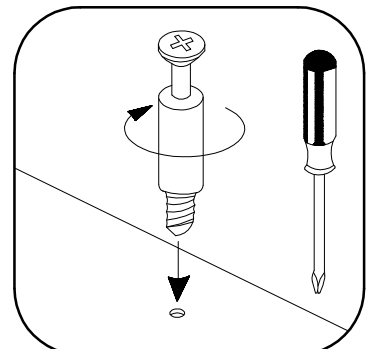
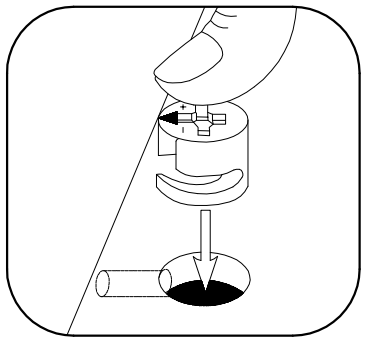
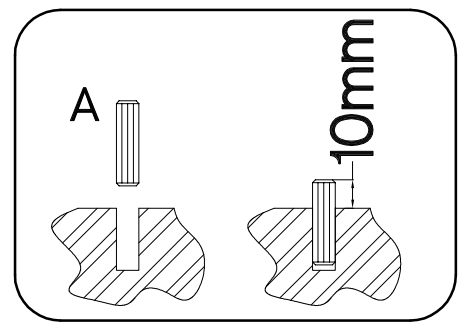
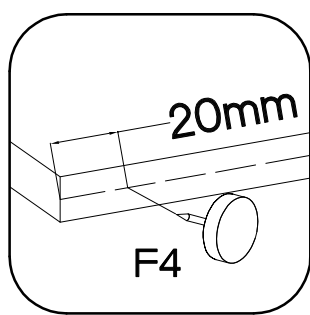
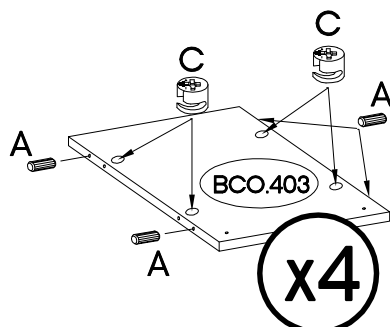
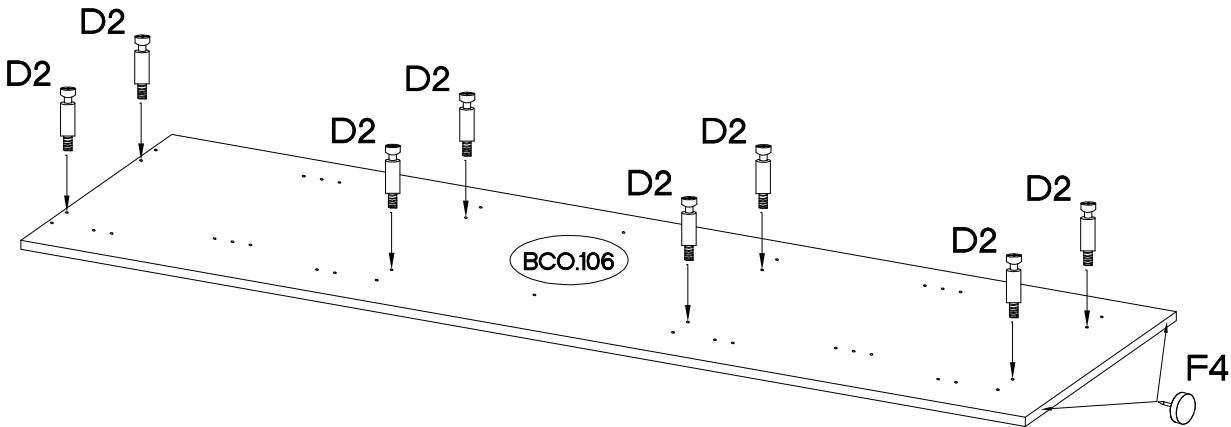
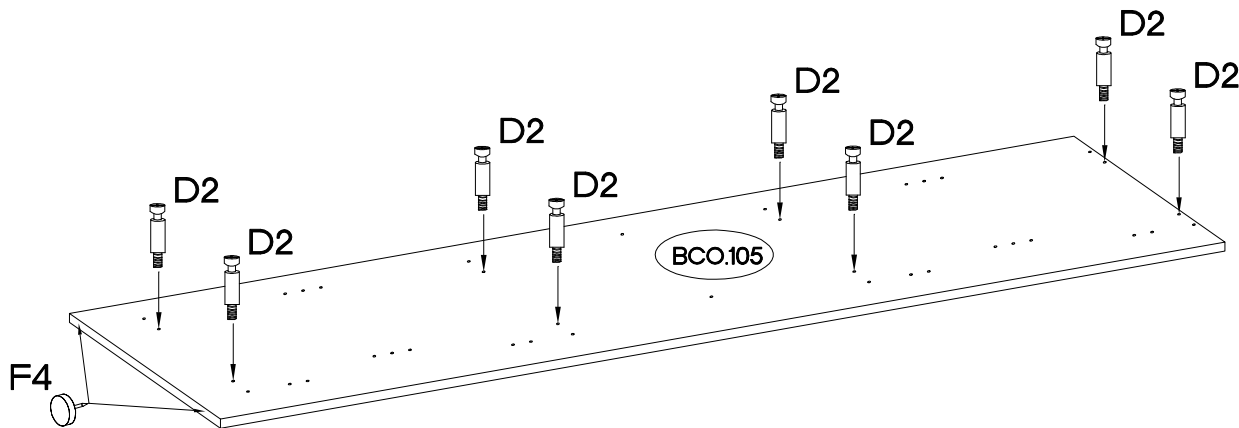
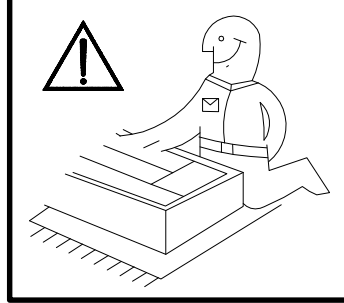
 A	 C	 D2	 E
	16	16	16	16
 F4	 HG2	 J3	 J12	 L9
4	4	12	2	1
 O7	 P5	 P7	 R2	 S
1	9	25-30	4	2

ISM-BCO-03

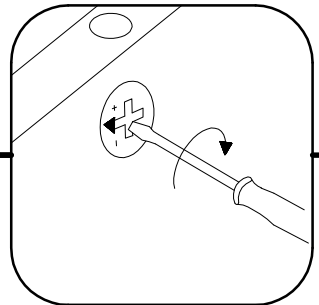
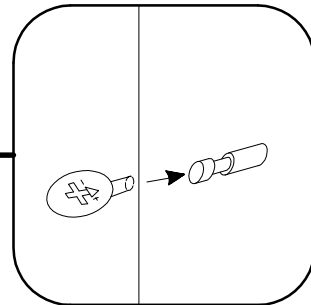
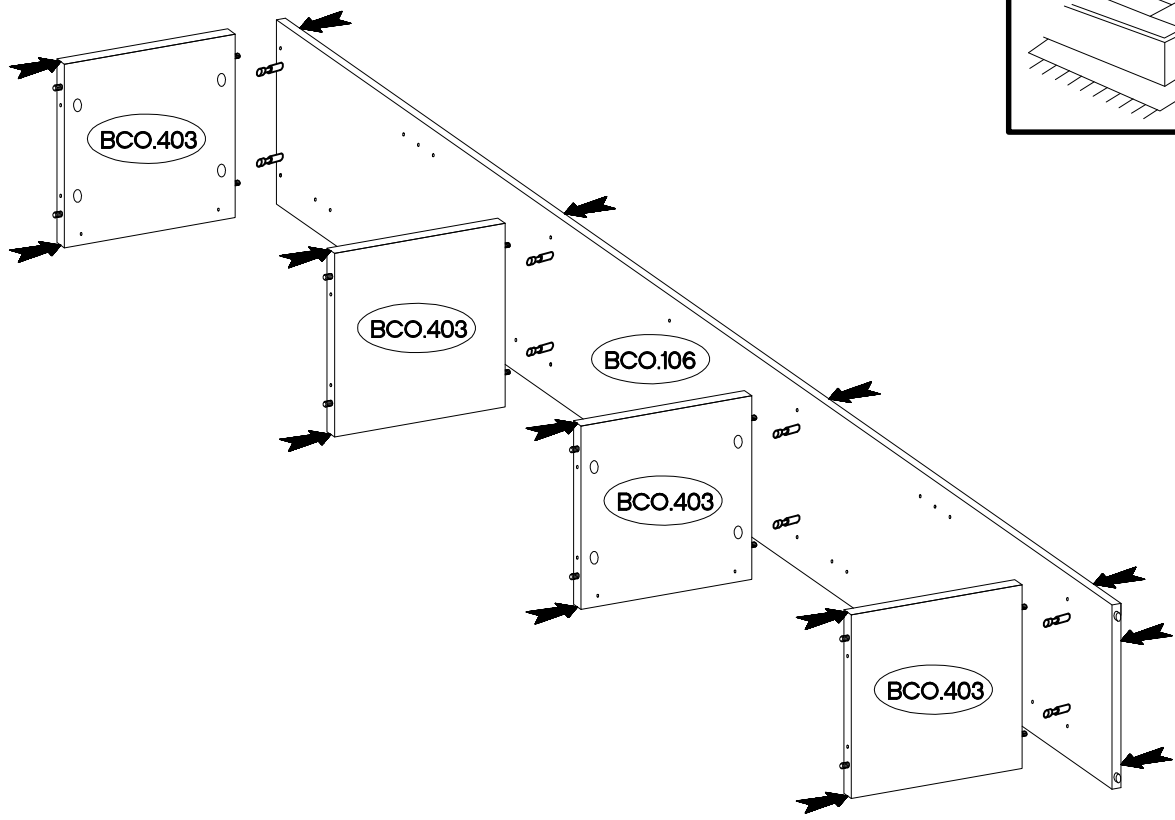
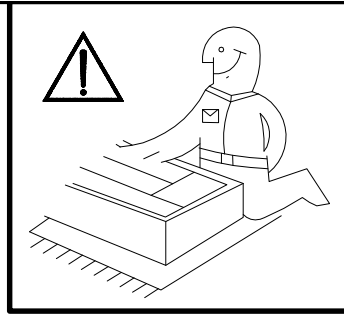
Colli	Ersatzteil Nummer	Dimension
Colli 1/1	BCO.105	1800x325x16
	BCO.106	1800x325x16
	BCO.301 x3	305x255x16
	BCO.403 x4	306x324x16
	BCO.604	1707x334x2,5
	BCO.704 x2	560x300x16



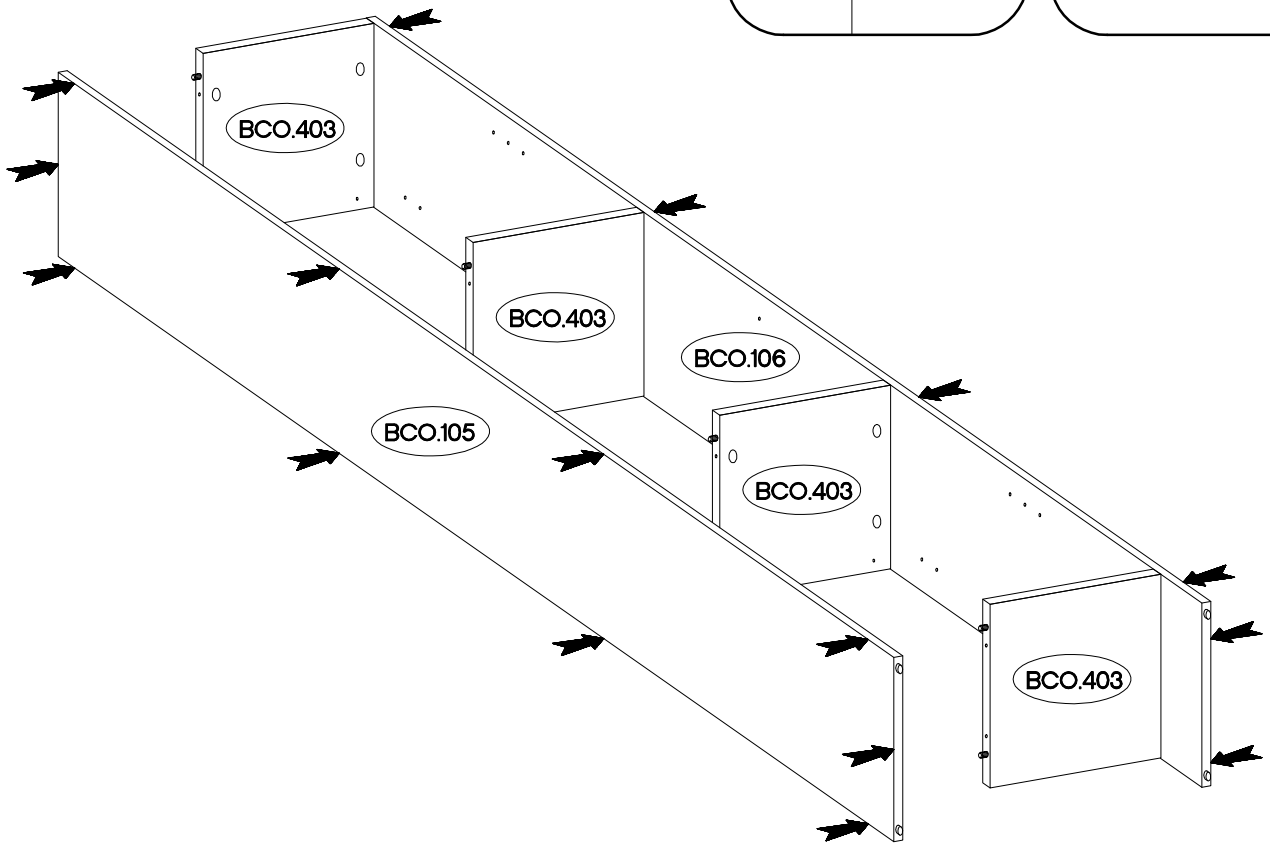
<p>∅8x30mm A</p>	<p>∅15/12mm C</p>	<p>L=20mm D2</p>	<p>∅15x5mm F4</p>
16	16	16	4



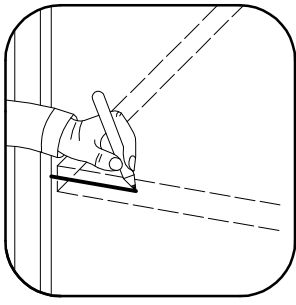
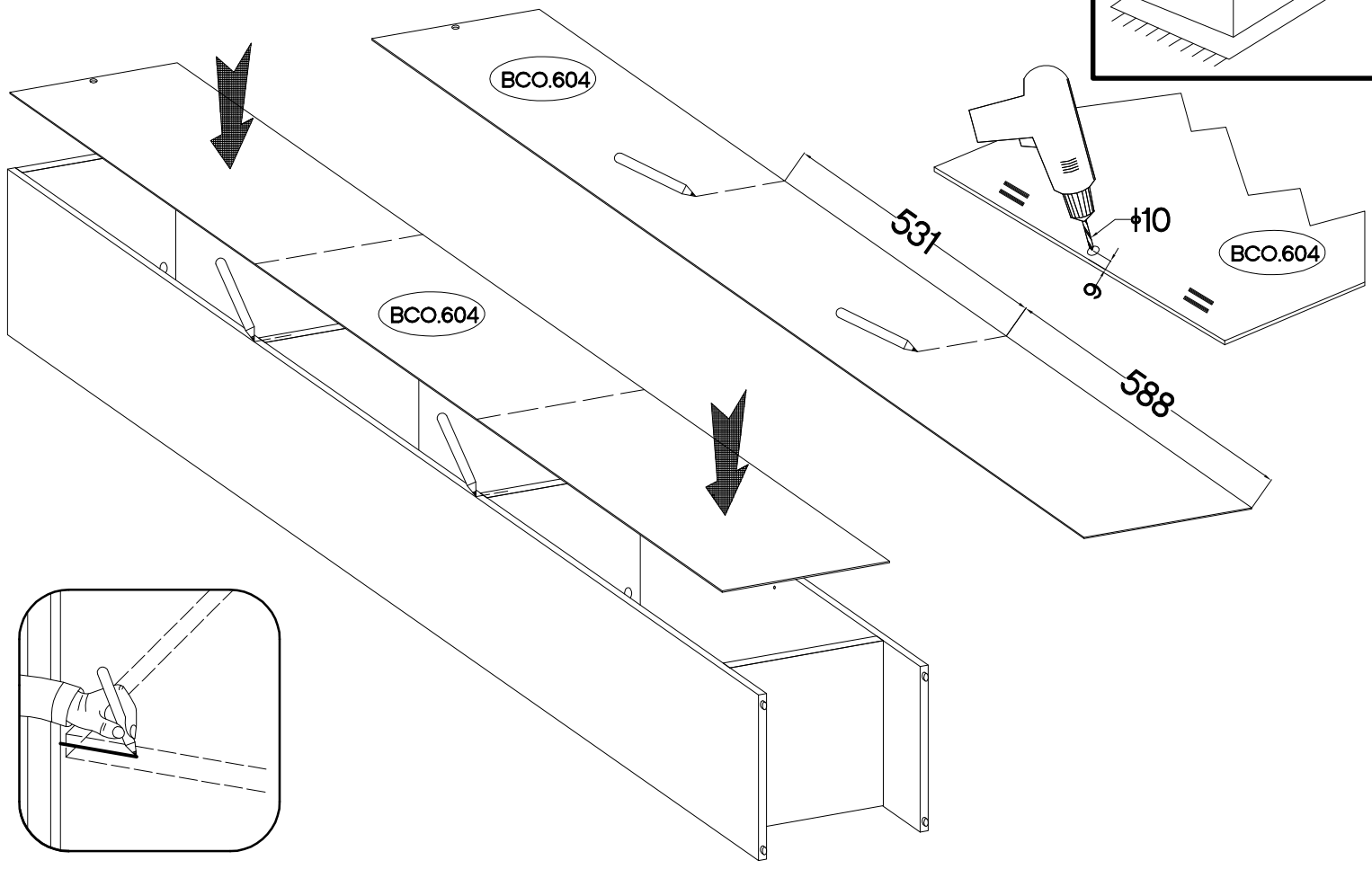
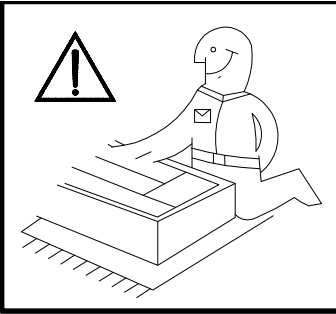
2



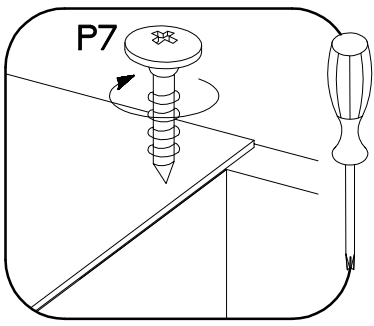
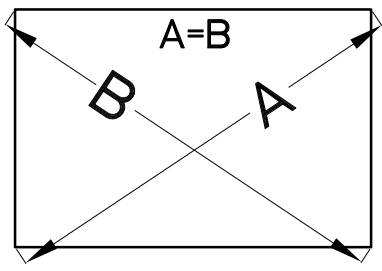
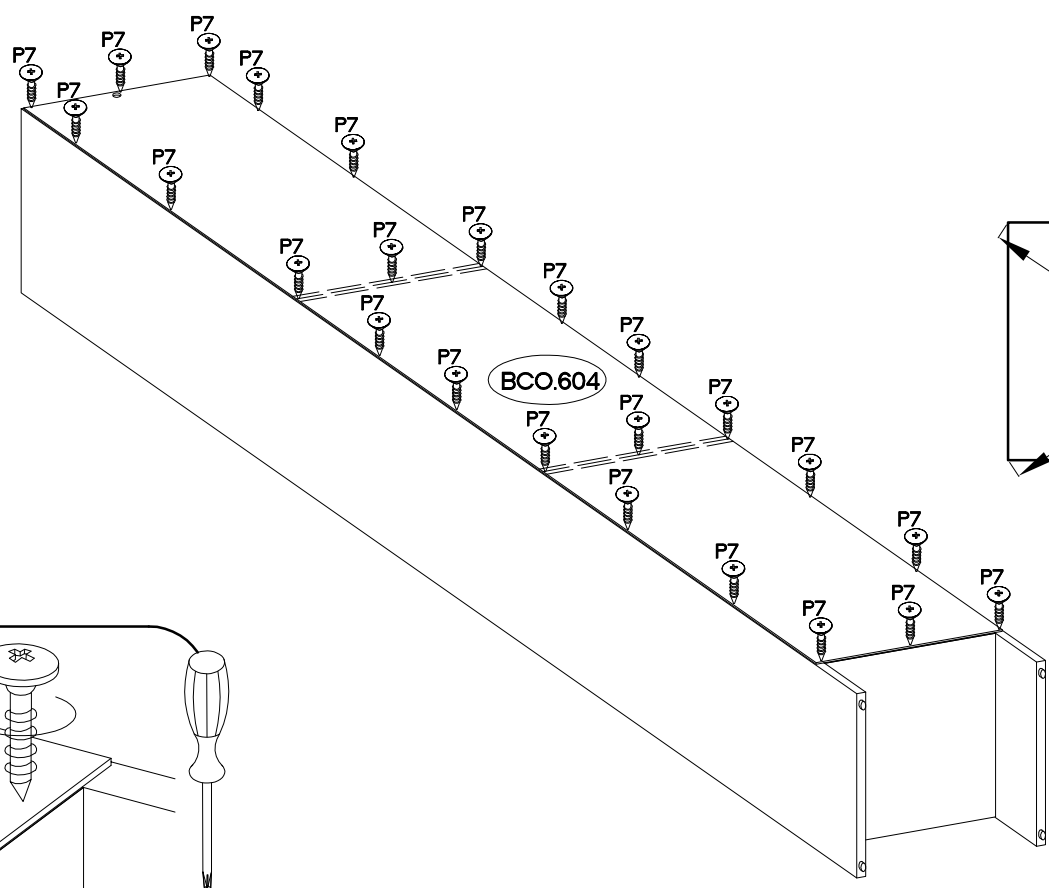
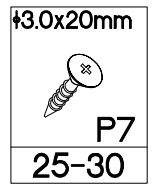
3

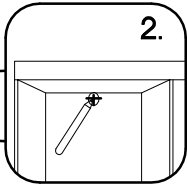


4

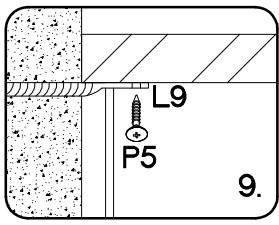
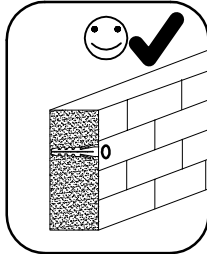
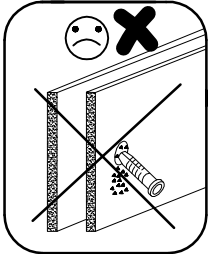
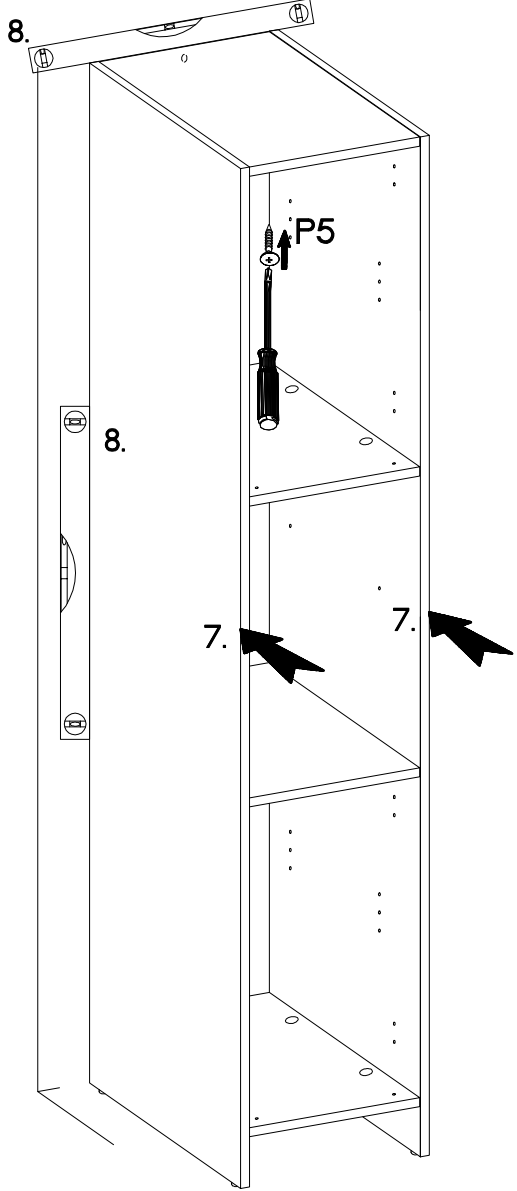
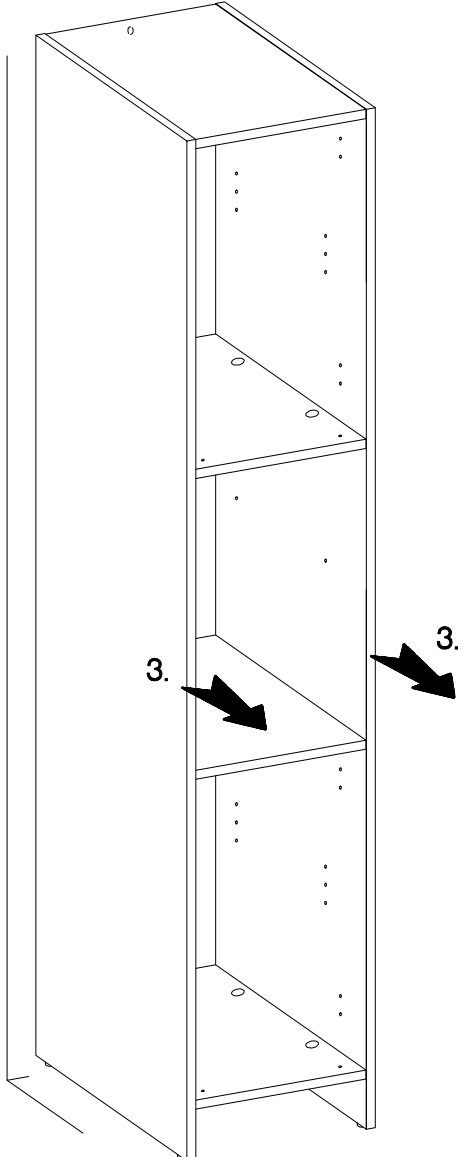
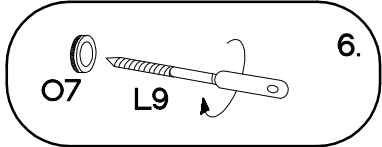
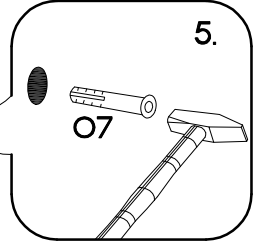
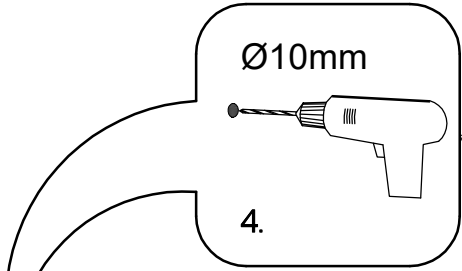
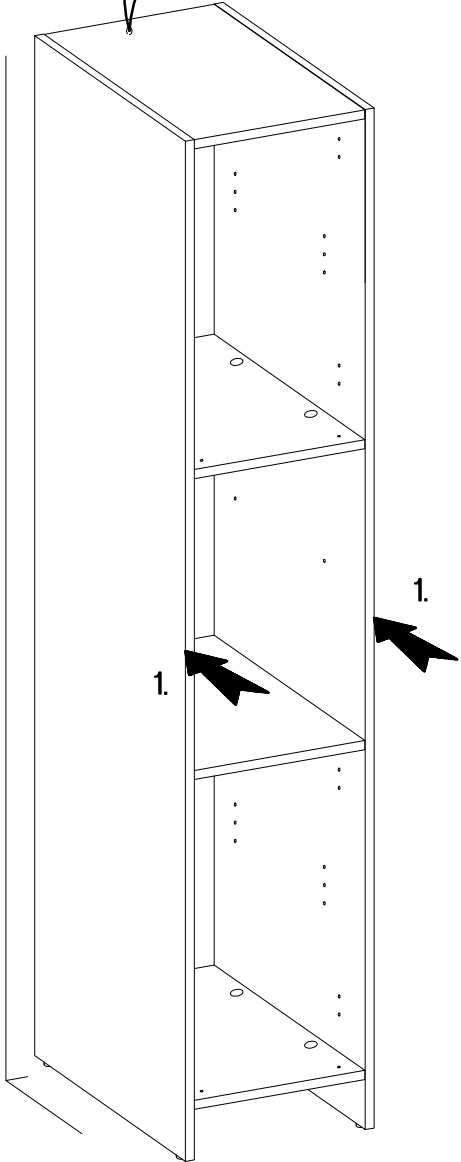


5

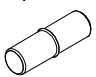



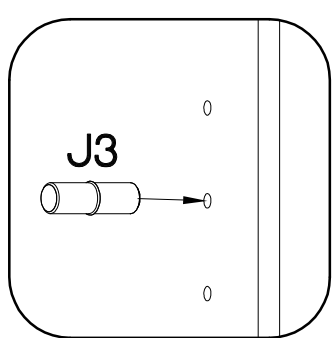
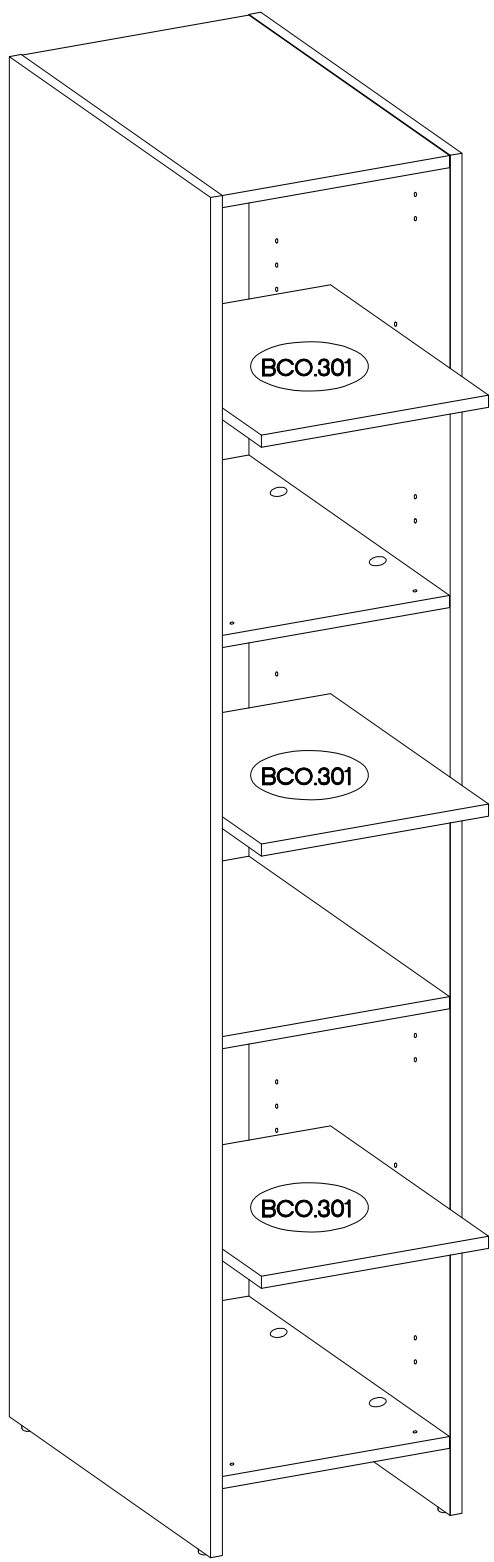
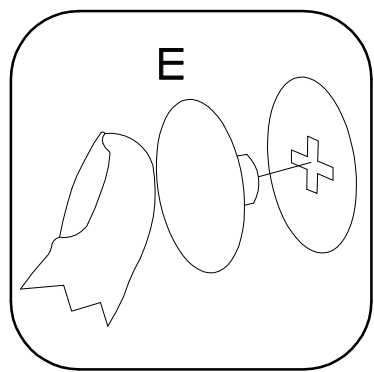




$\pm 10 \times 50 \text{mm}$  <b>O7</b> 1	$\pm 3.5 \times 13 \text{mm}$  <b>P5</b> 1
 <b>L9</b> 1	 <b>P5</b> 1

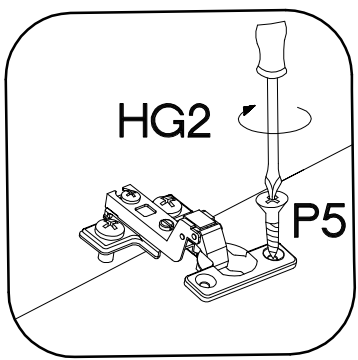
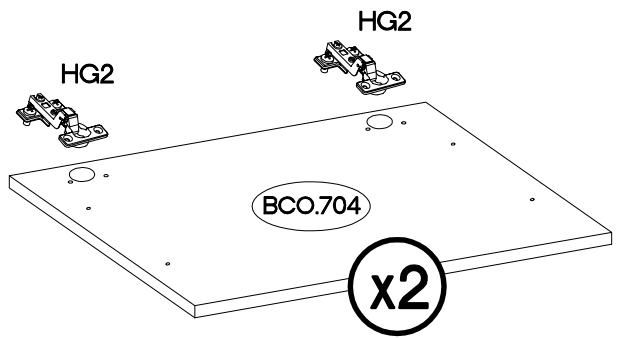
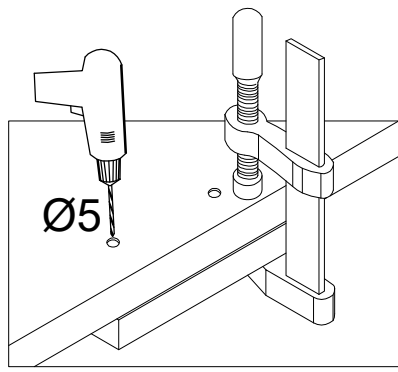
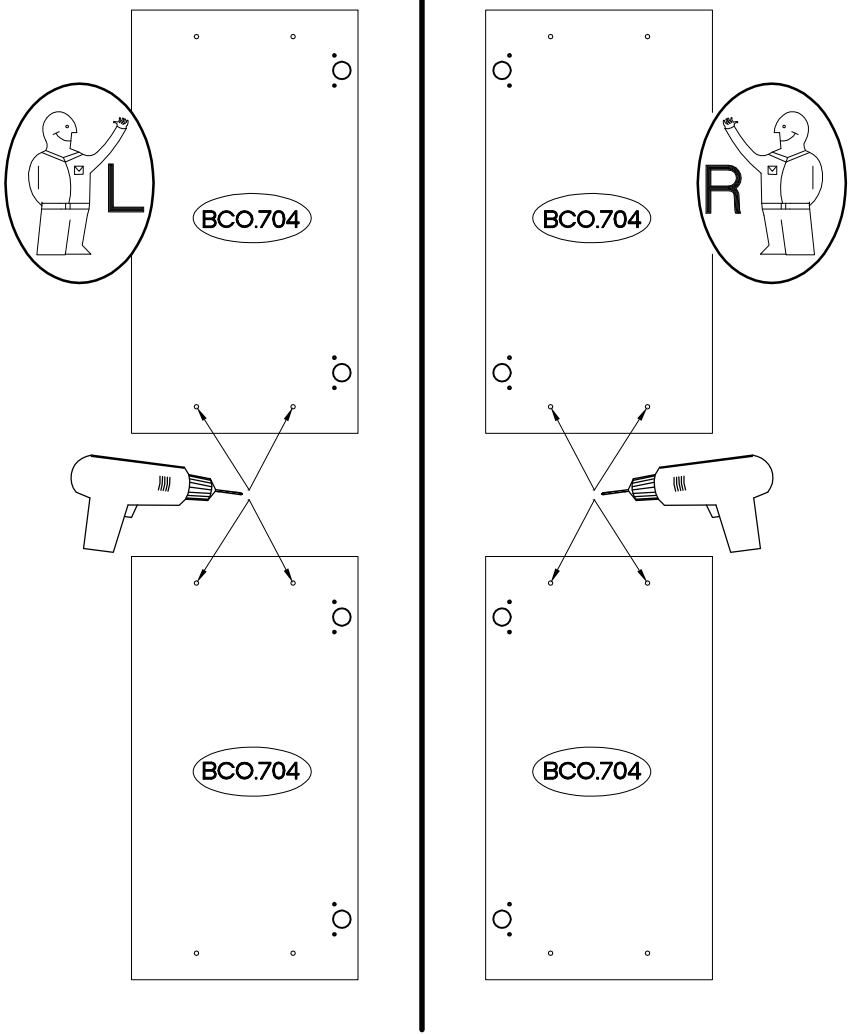
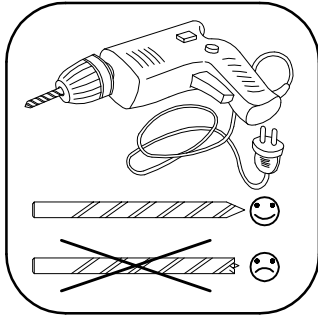


7

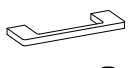

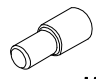
$\varnothing 5/16\text{mm}$  J3	 E
12	16



 HG2 4	 P5 8
--	---





	±4.0x30mm	±5/16mm
<b>S</b>		
2	4	2

