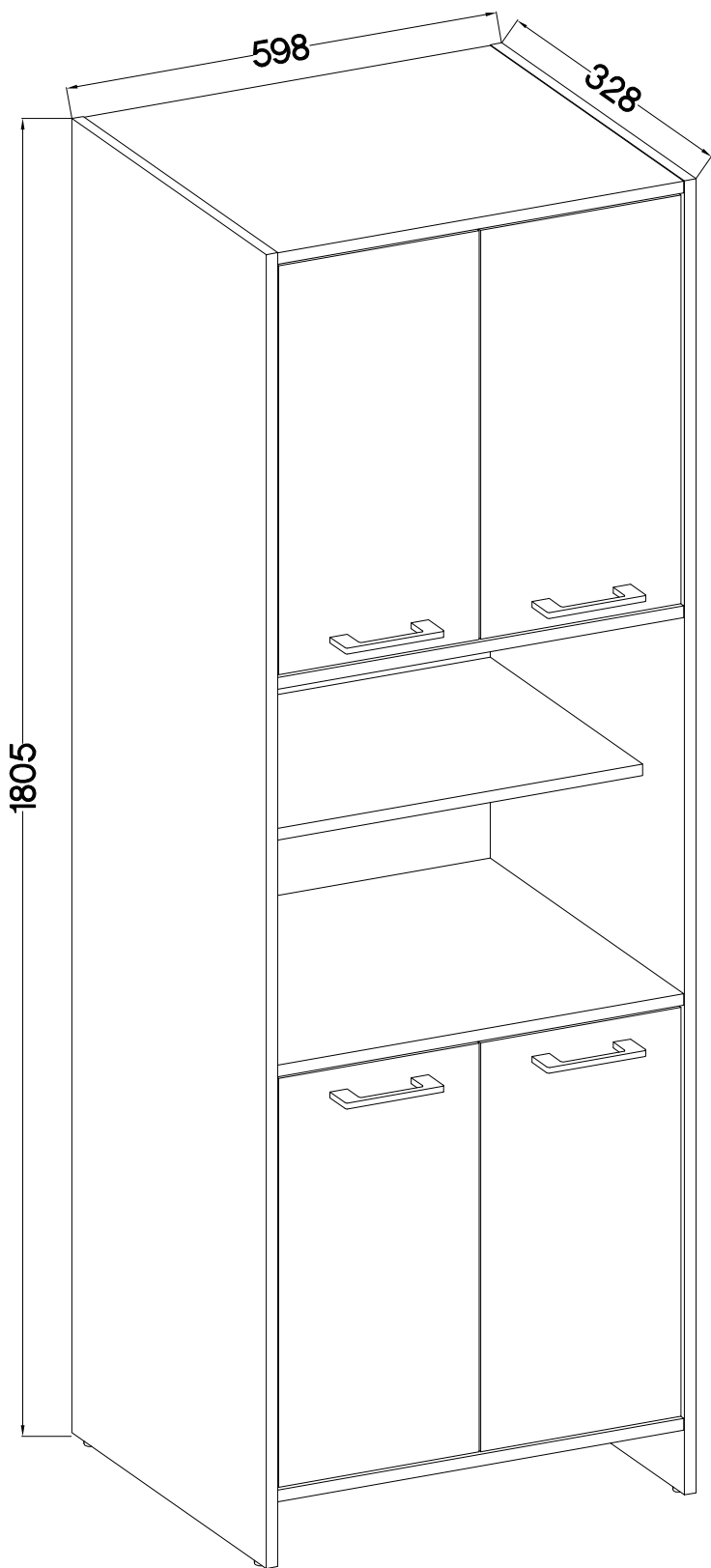
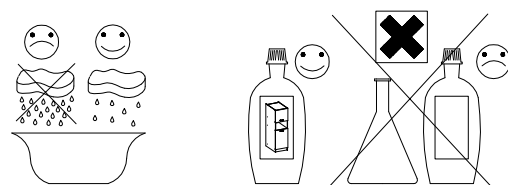
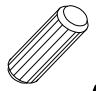

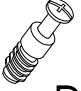



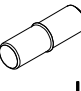
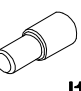

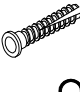



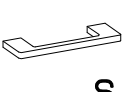


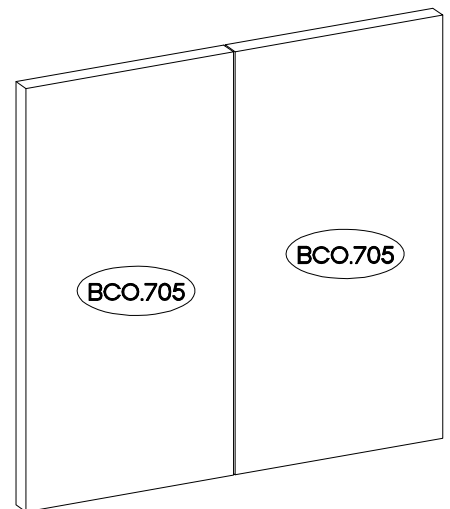
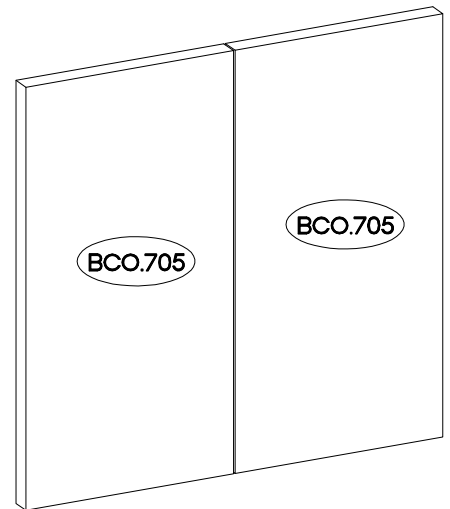
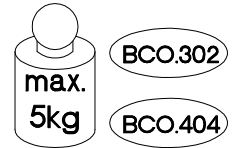
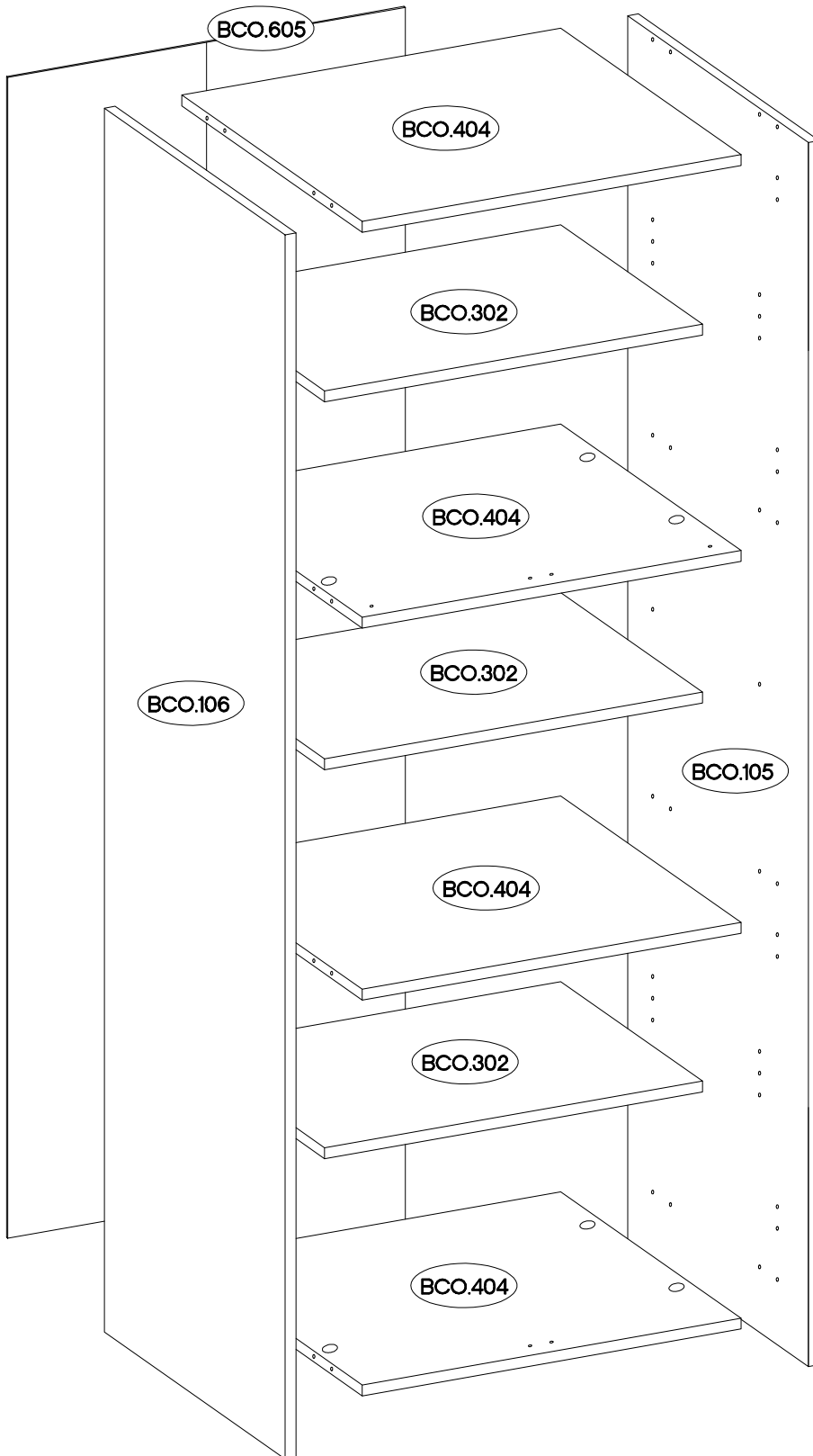
60 min

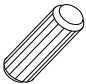
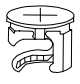




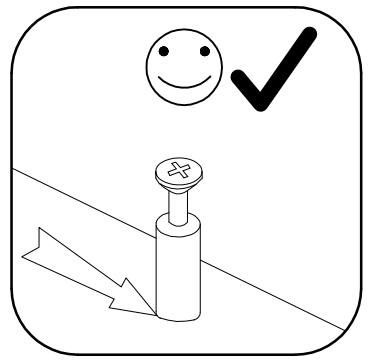
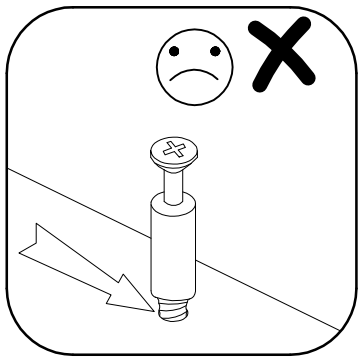
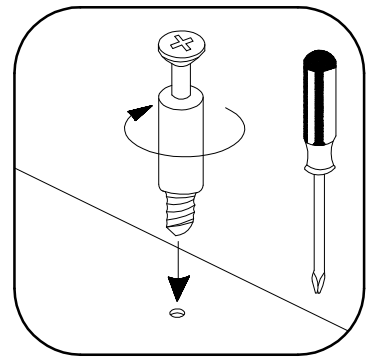
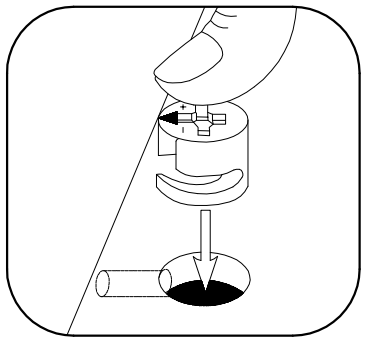
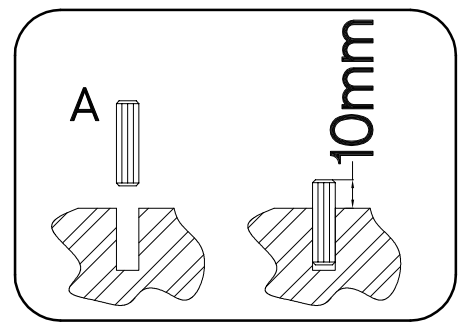
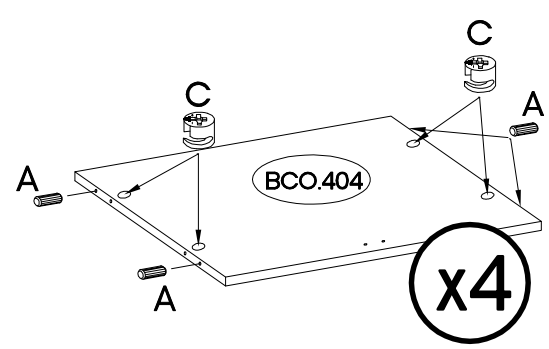
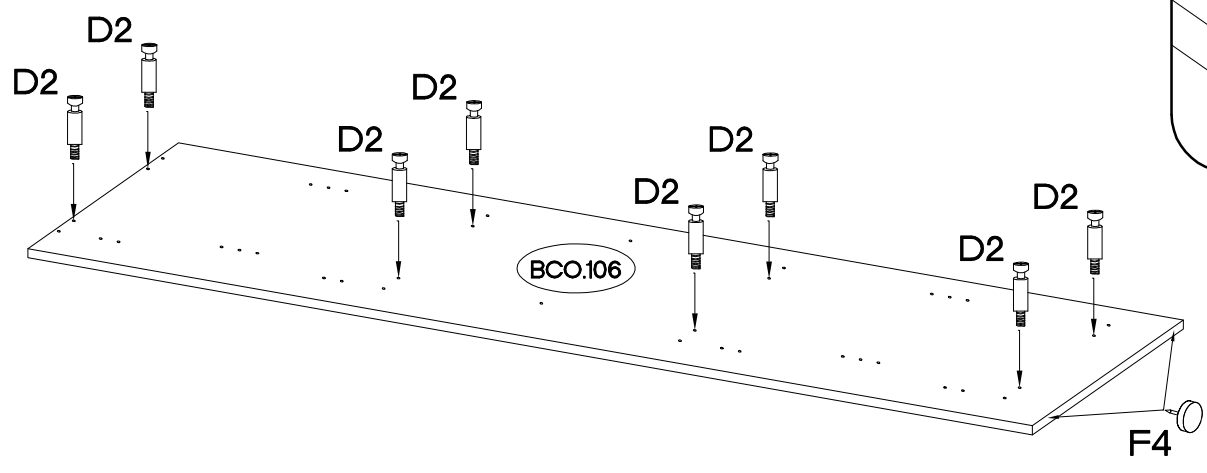
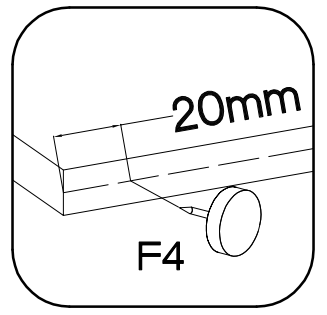
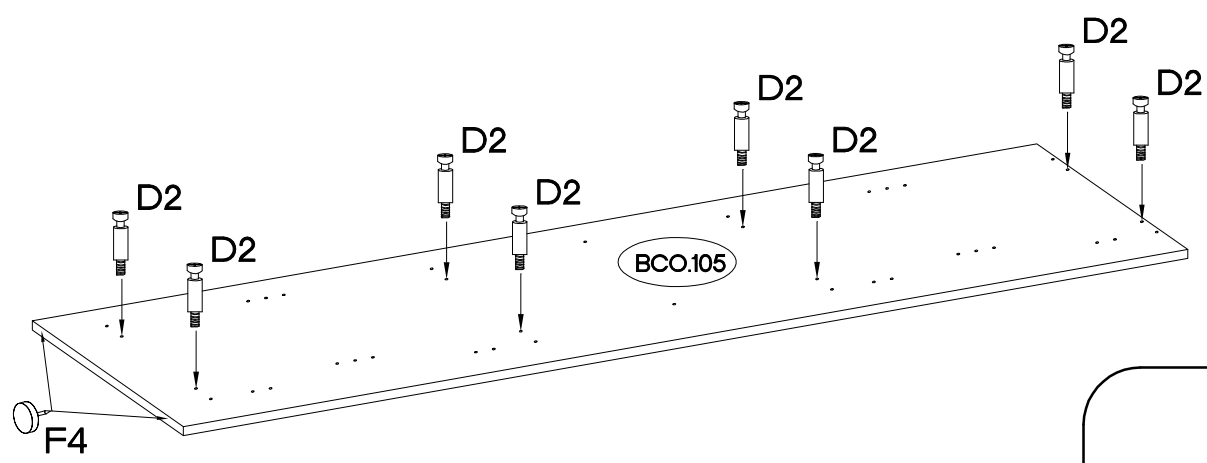
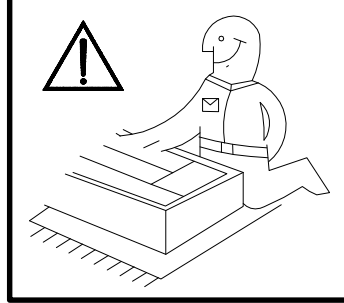
	 A	 C	 D2	 E
	16	16	16	16
 F4	 HG2	 J3	 J12	 L9
4	8	12	4	1
 O7	 P5	 P7	 R2	 S
1	17	30-35	8	4

ISM-BCO-04

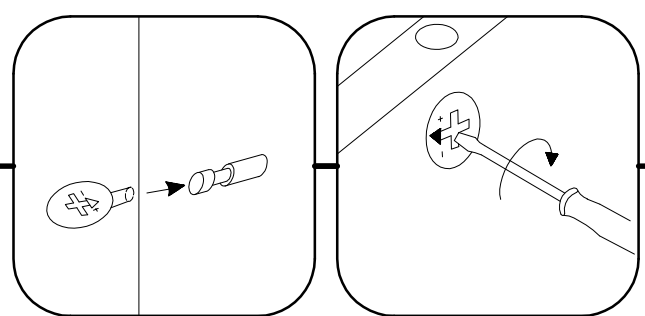
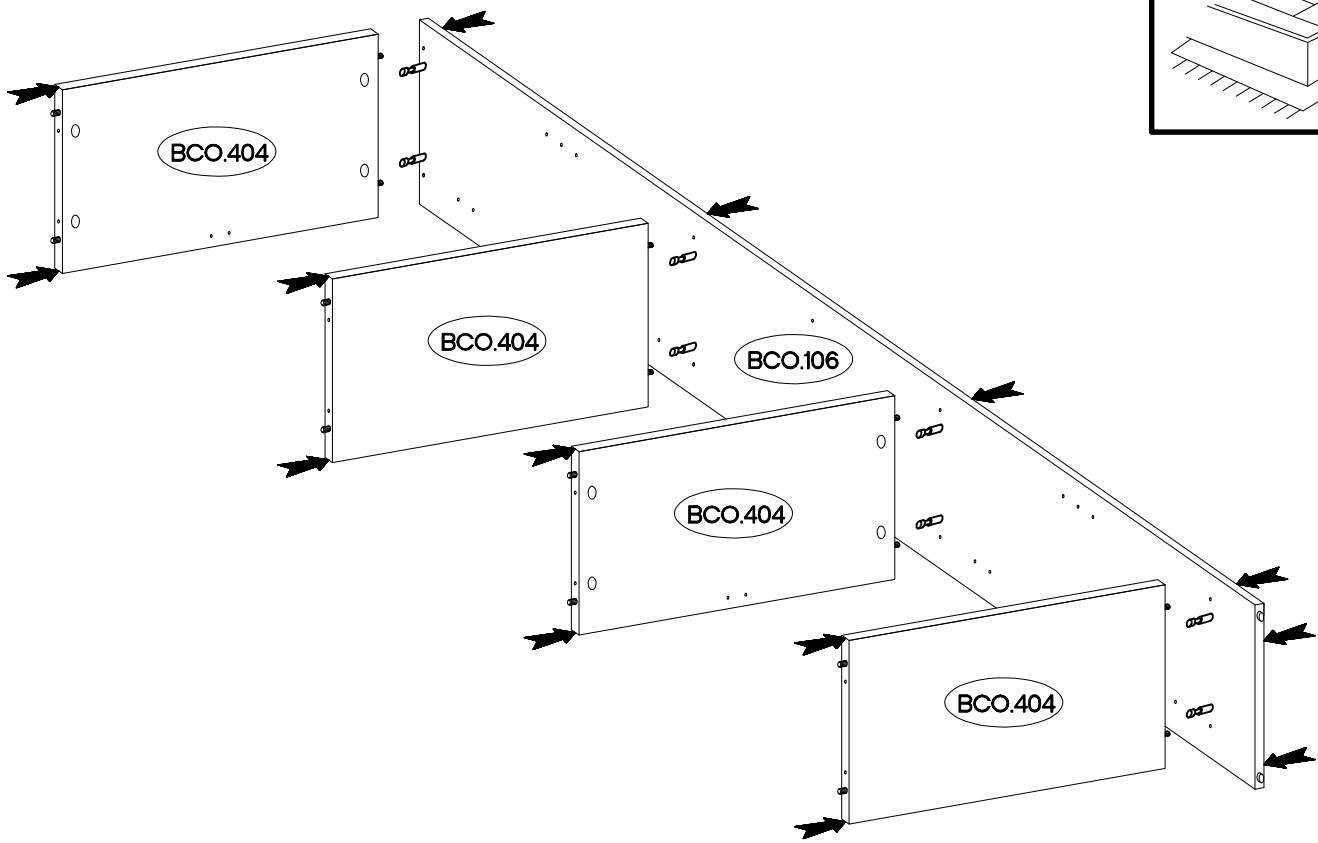
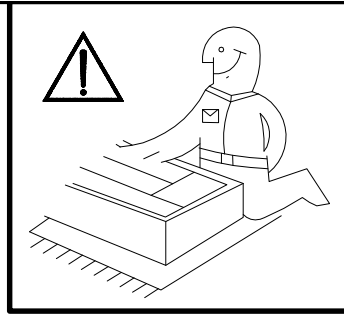
Colli	Ersatzteil Nummer	Dimension
Colli 1/1	BCO.105	1800x325x16
	BCO.106	1800x325x16
	BCO.302 x3	565x255x16
	BCO.404 x4	566x324x16
	BCO.605	1707x594x2,5
	BCO.705 x4	560x279x16



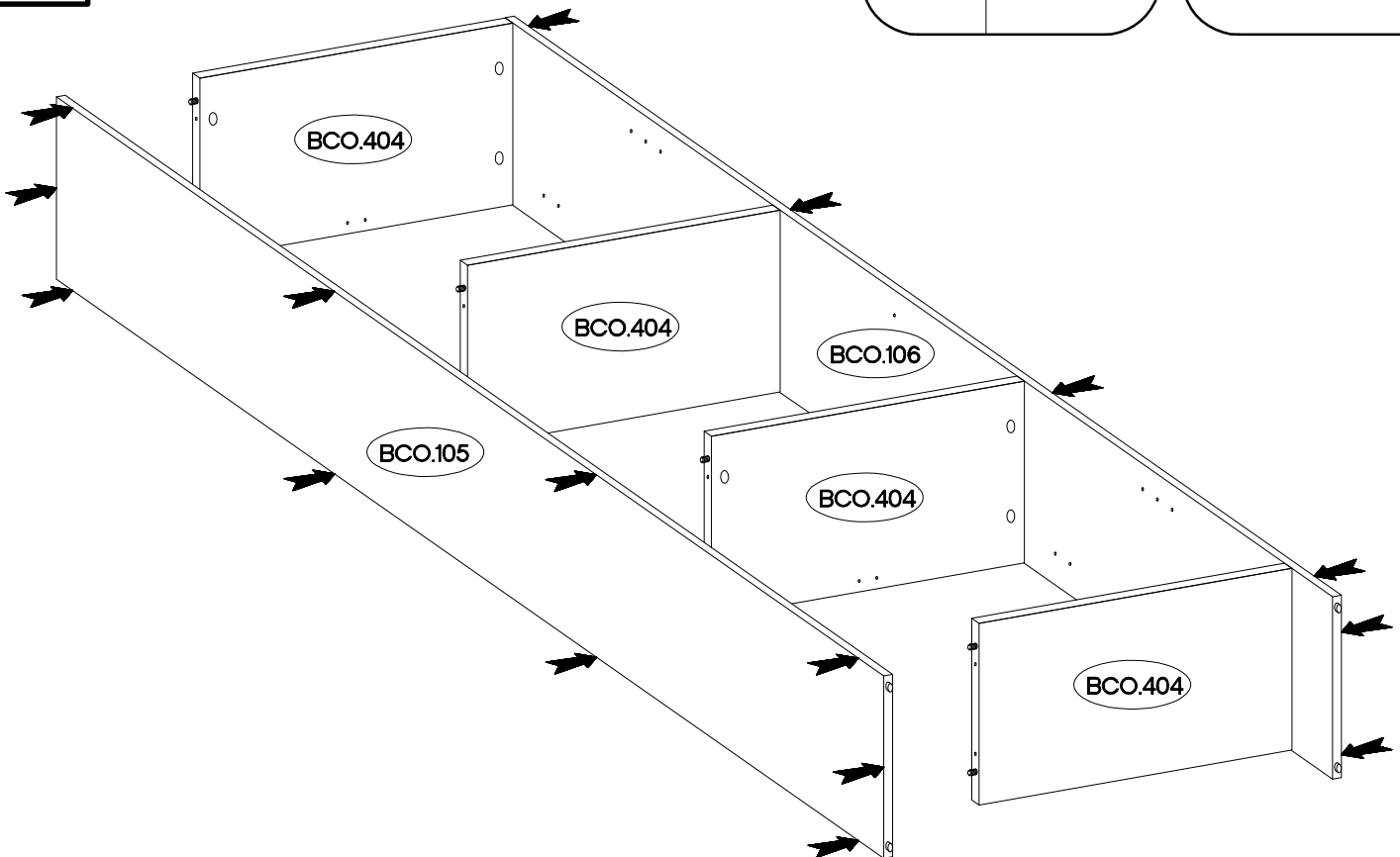
$\varnothing 8 \times 30 \text{mm}$  A 16	$\varnothing 15/12 \text{mm}$  C 16	$L=20 \text{mm}$  D2 16	$\varnothing 15 \times 5 \text{mm}$  F4 4
---	---	---	---



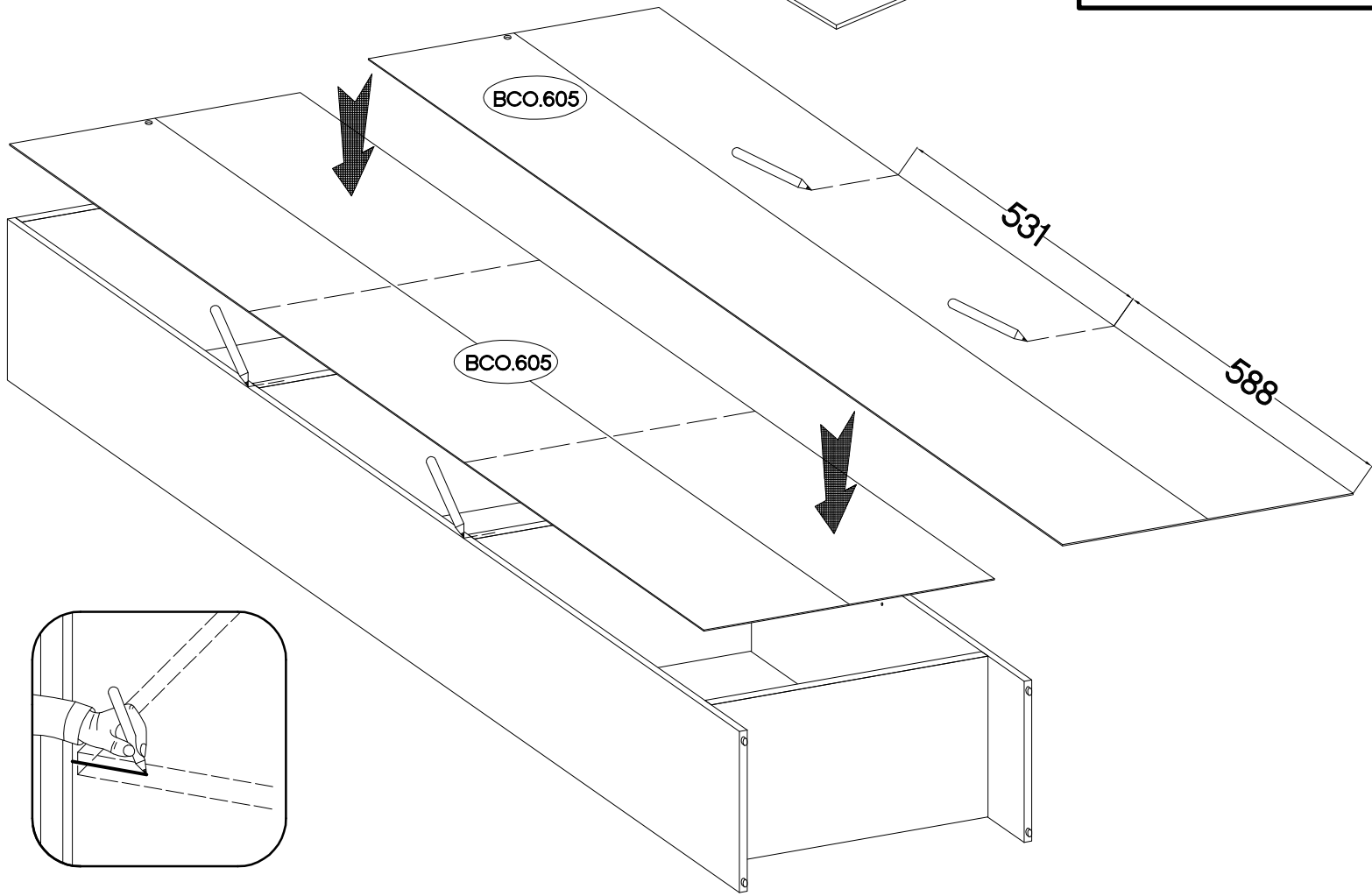
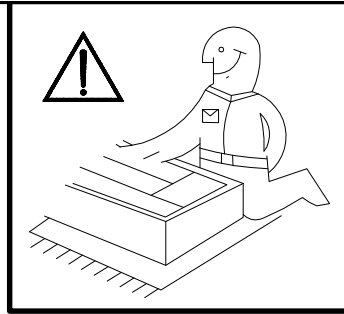
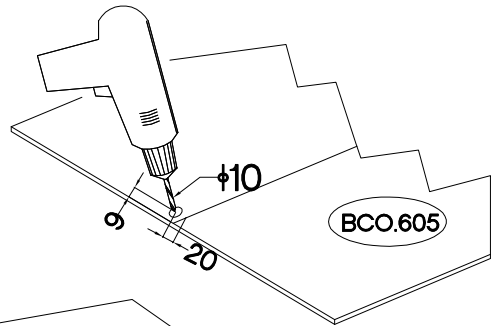
2



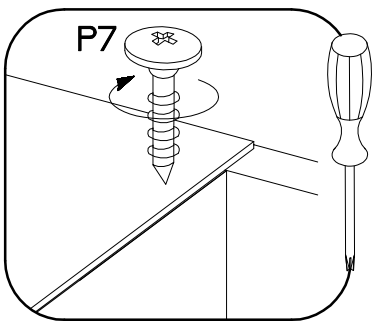
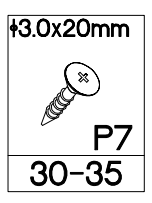
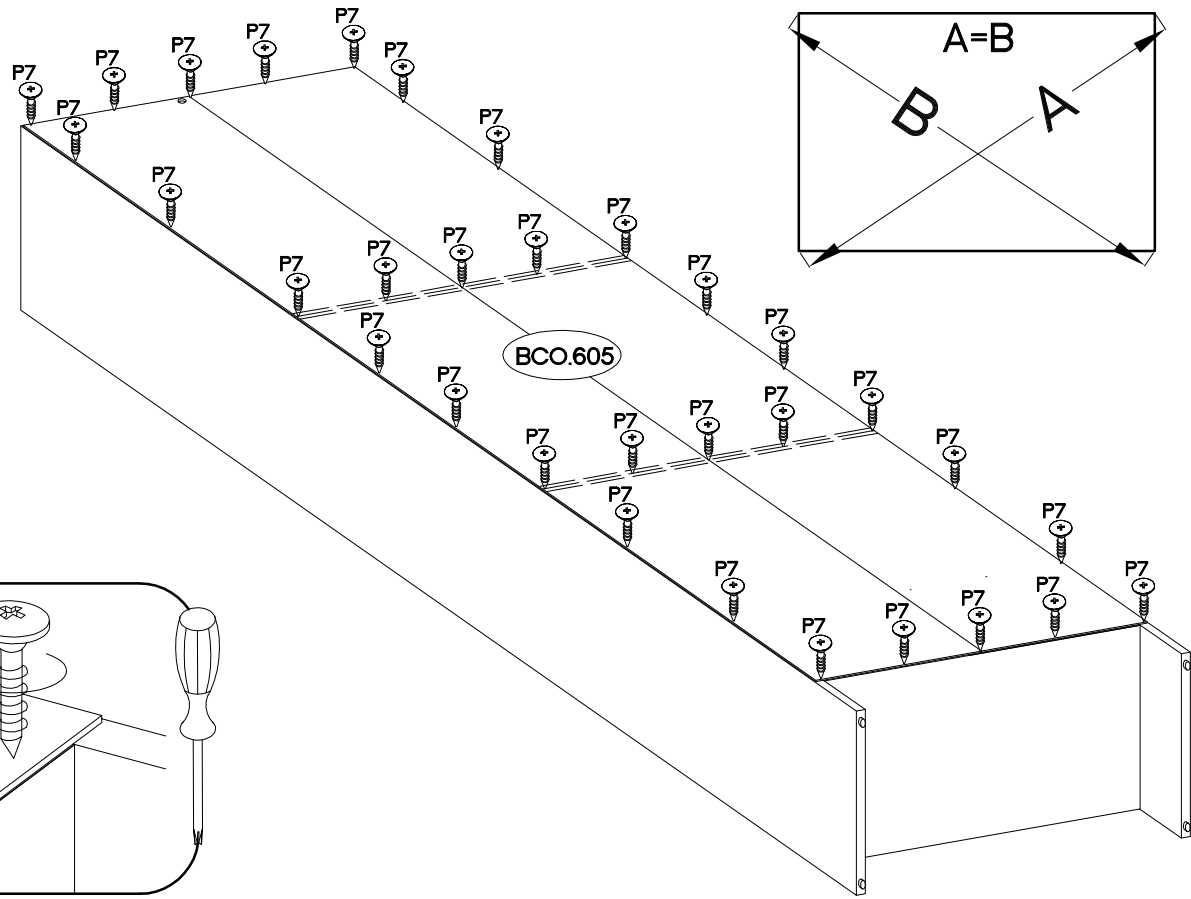
3






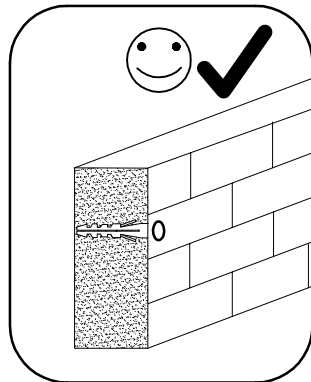
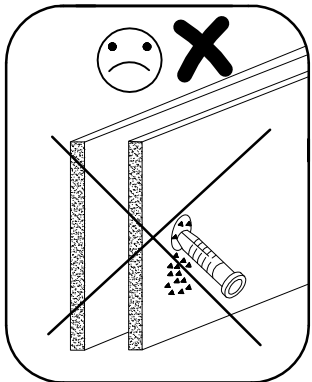
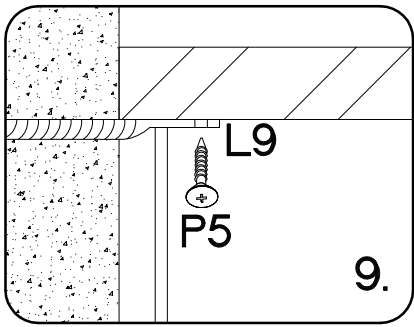
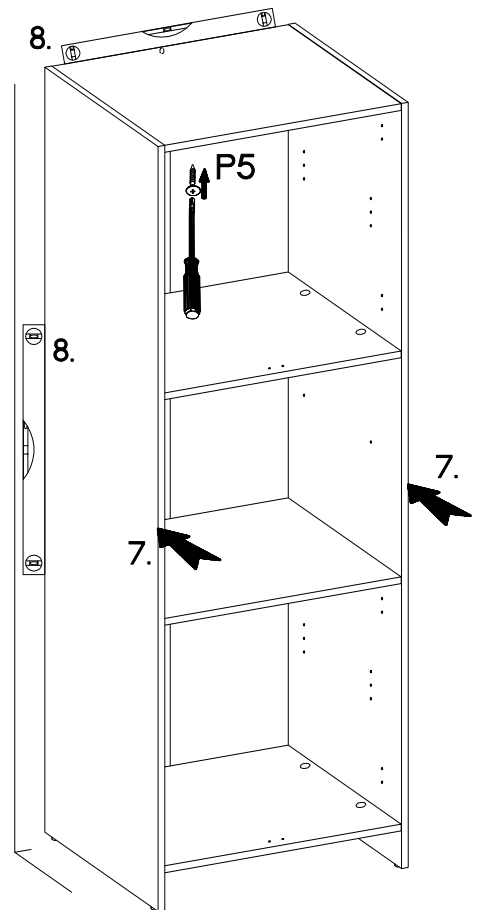
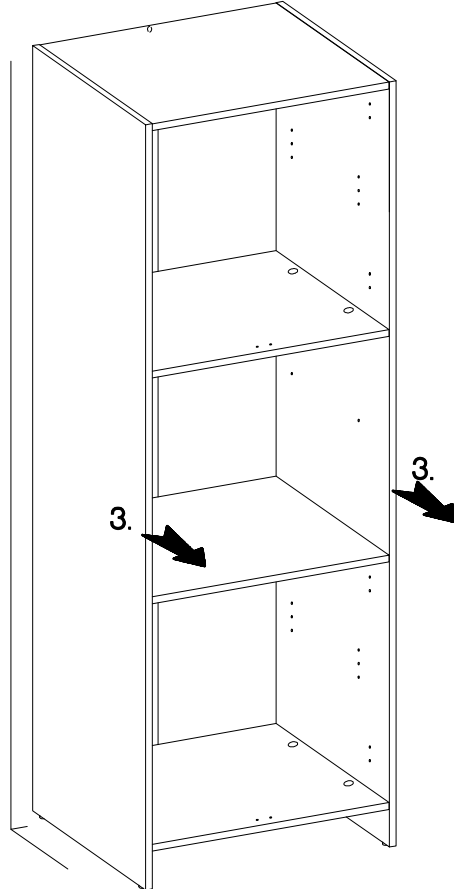
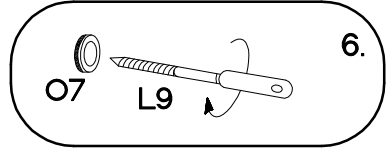
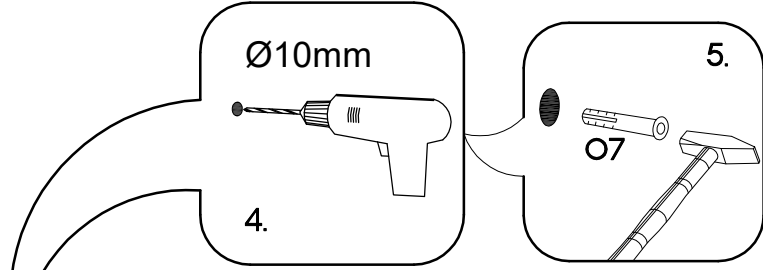
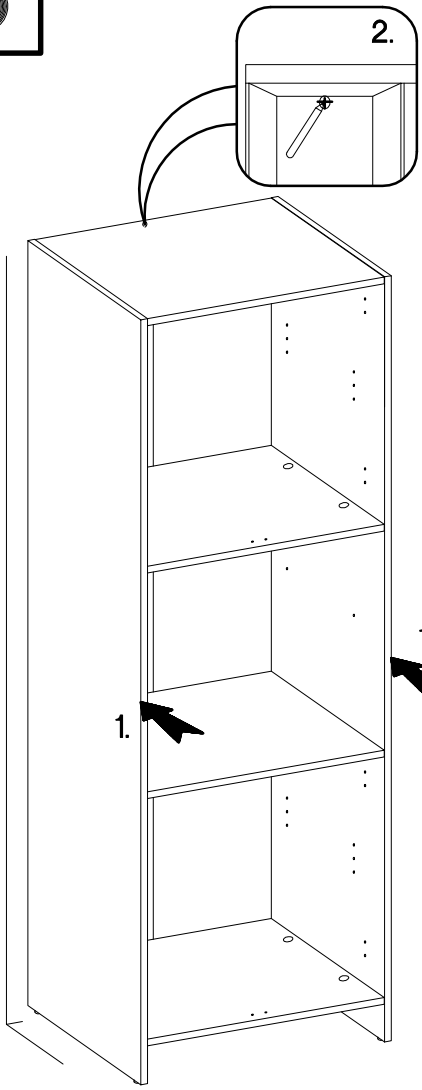
4



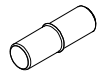

5

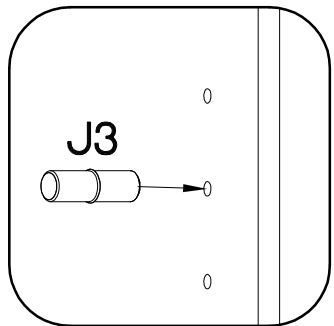
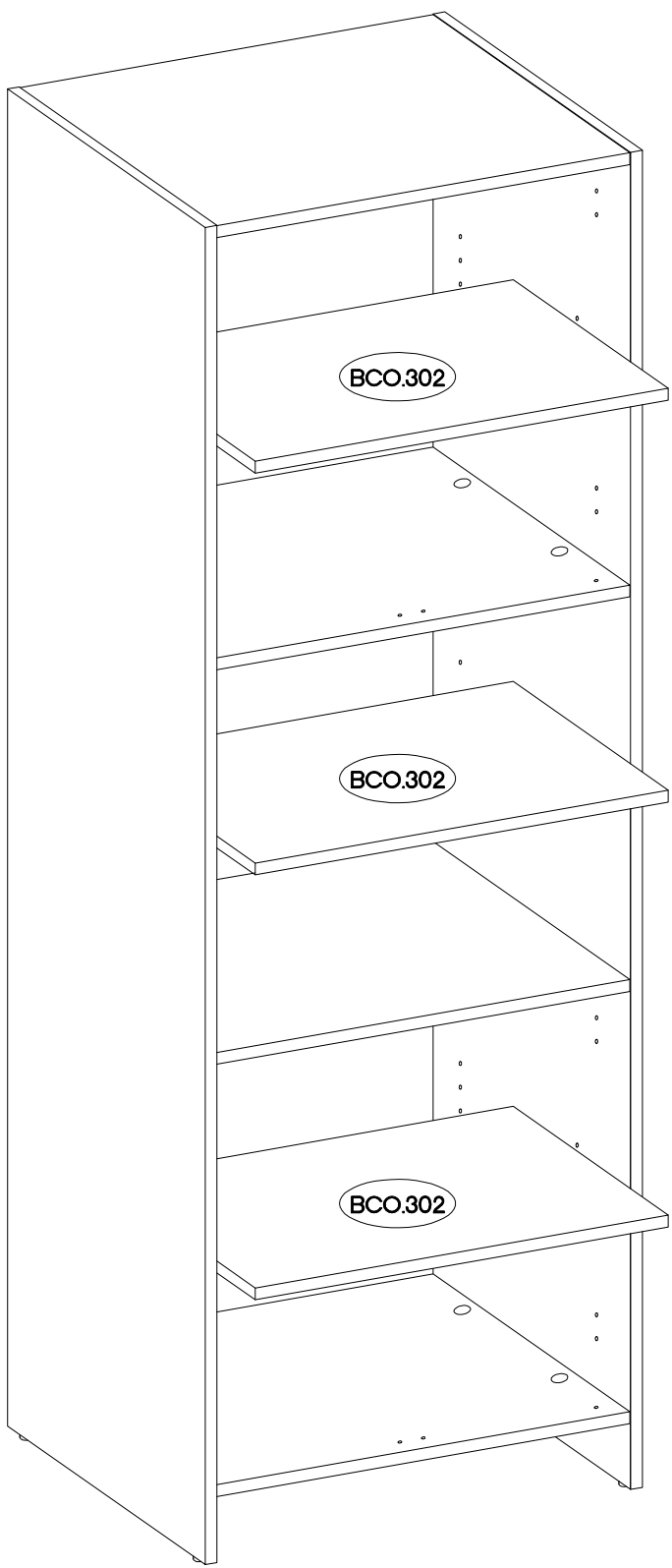
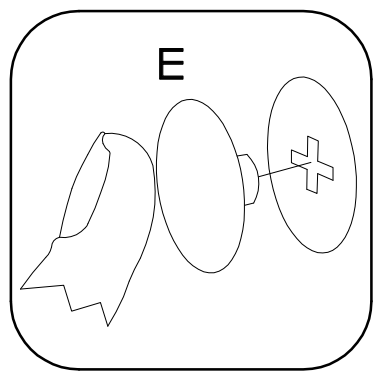


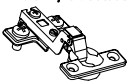

$\varnothing 10 \times 50 \text{mm}$  O7 1	$\varnothing 10 \text{mm}$  L9 1	$\varnothing 3.5 \times 13 \text{mm}$  P5 1
--	--	--

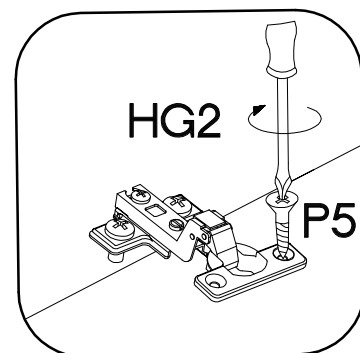
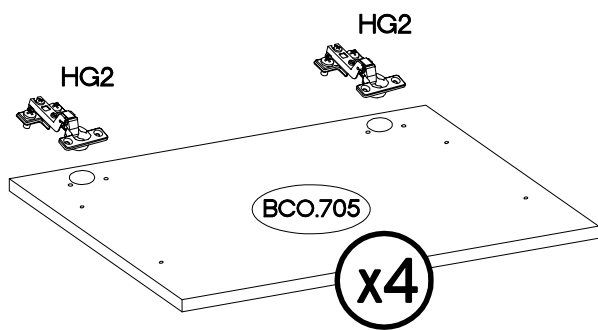
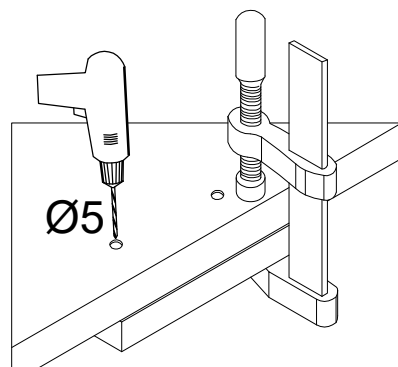
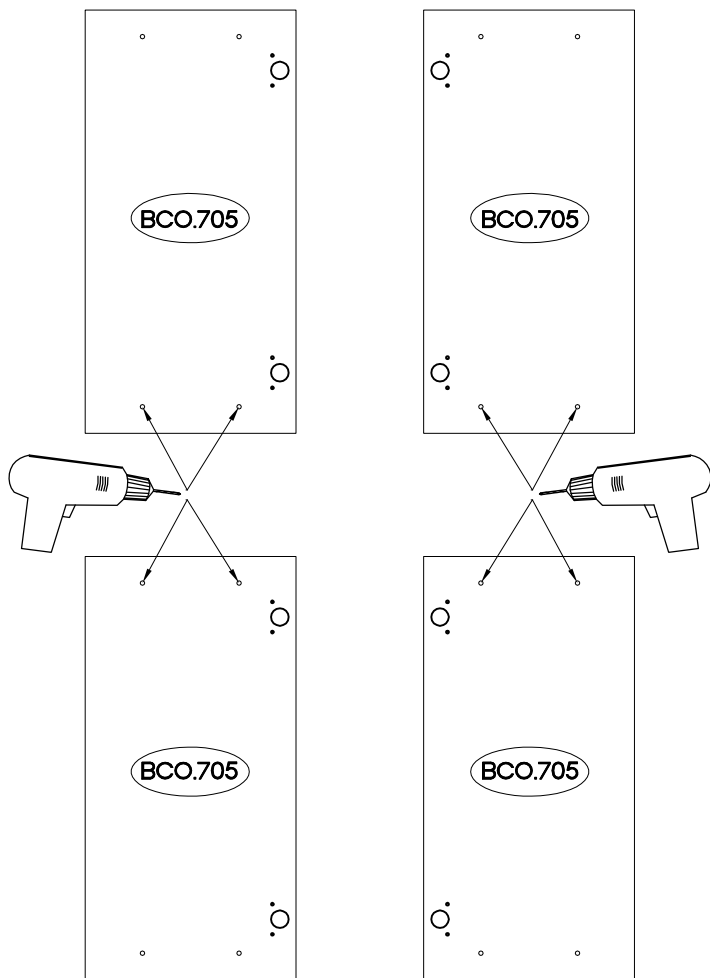
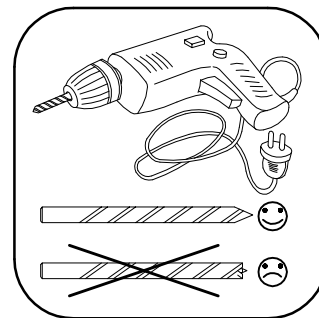


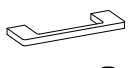

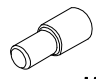
7

45/16mm  J3 12	 E 16
---	---



 HG2 8	 P5 16
--	--



	±4.0x30mm	±5/16mm
		
S	R2	J12
4	8	4

