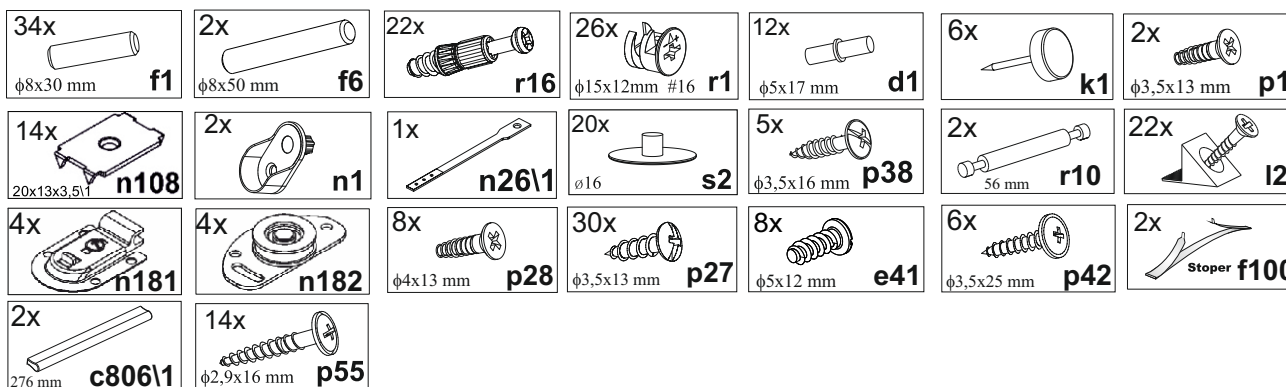
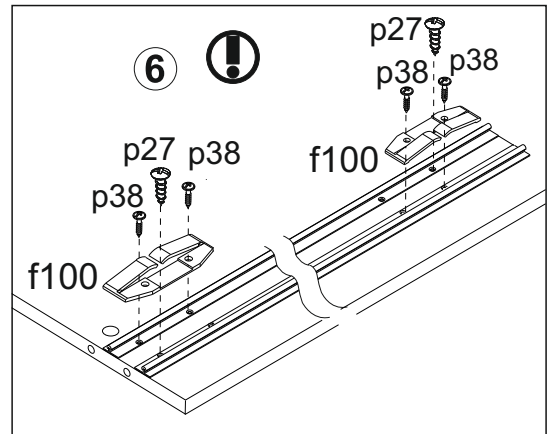
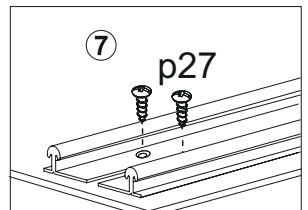
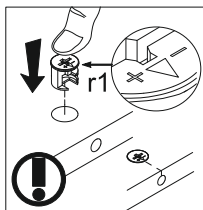
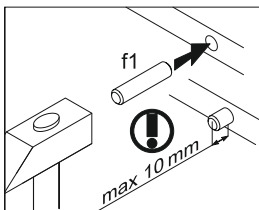
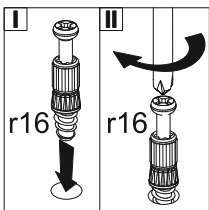
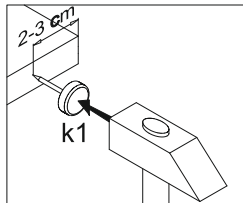
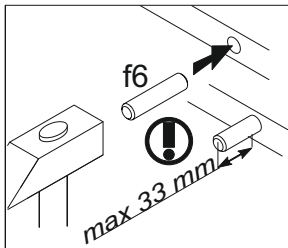
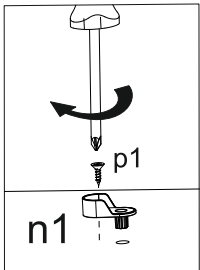
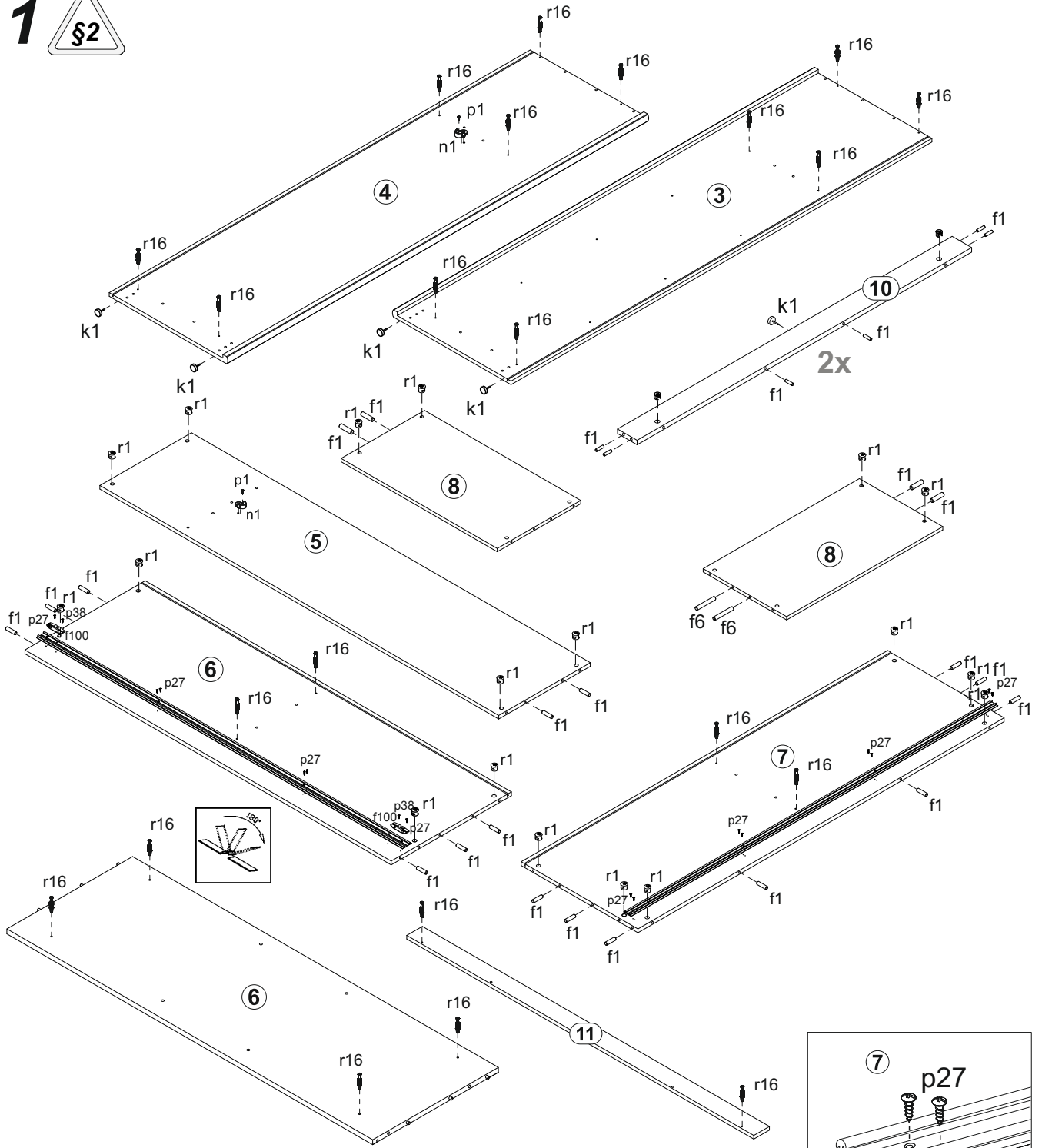


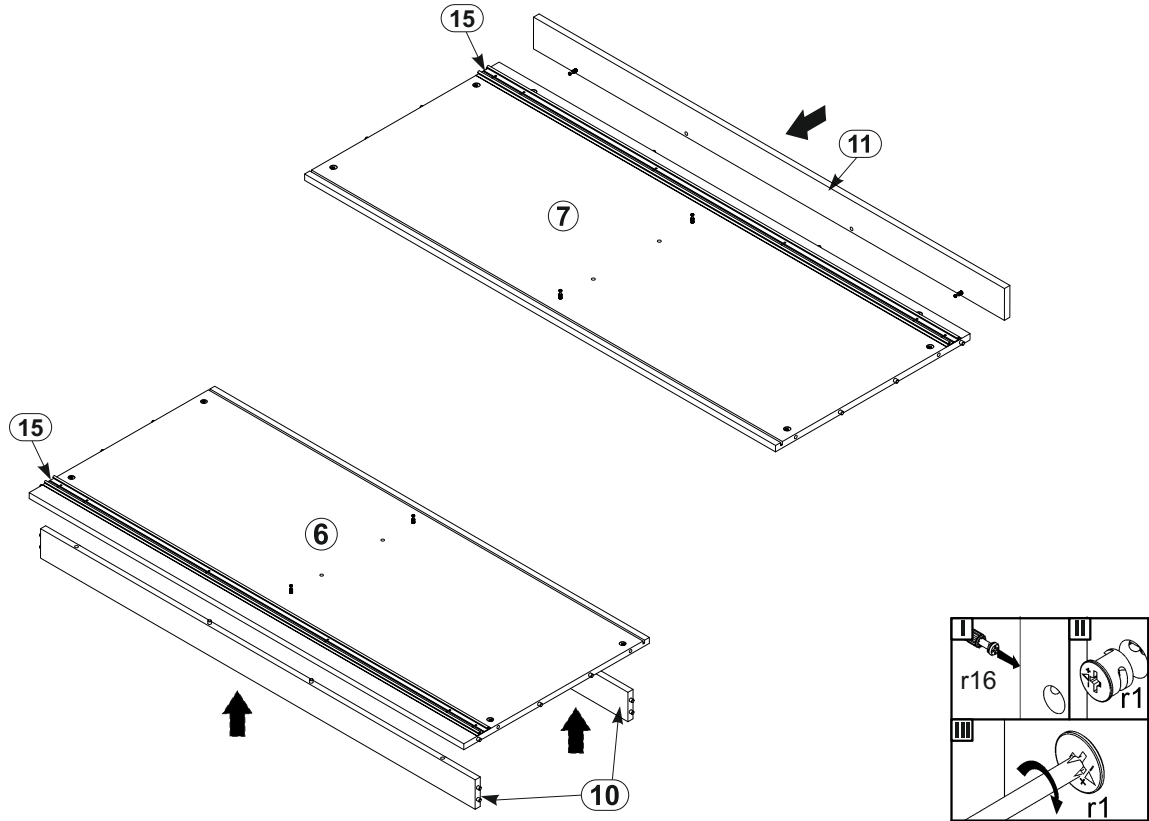
A	B	C	D	A	B	C	D		
1	KR1-019	2029	704	3/3	8	KR1-316	676	460	2/3
2	KR1-017	2029	704	3/3	9	KR1-317	676	455	2/3
3	KR1-110	2155	608	1/3	10	KR1-408	1368	80	2/3
4	KR1-111	2155	608	1/3	11	KR1-407	1368	80	2/3
5	KR1-106	2042	460	1/3	12	KR1-906	1634	691	3/3
6	KR1-314	1368	583	2/3	13	KR1-923	422	691	3/3
7	KR1-315	1368	566	2/3	14	DR-670	670		1/3
					15		1367	20	1/3



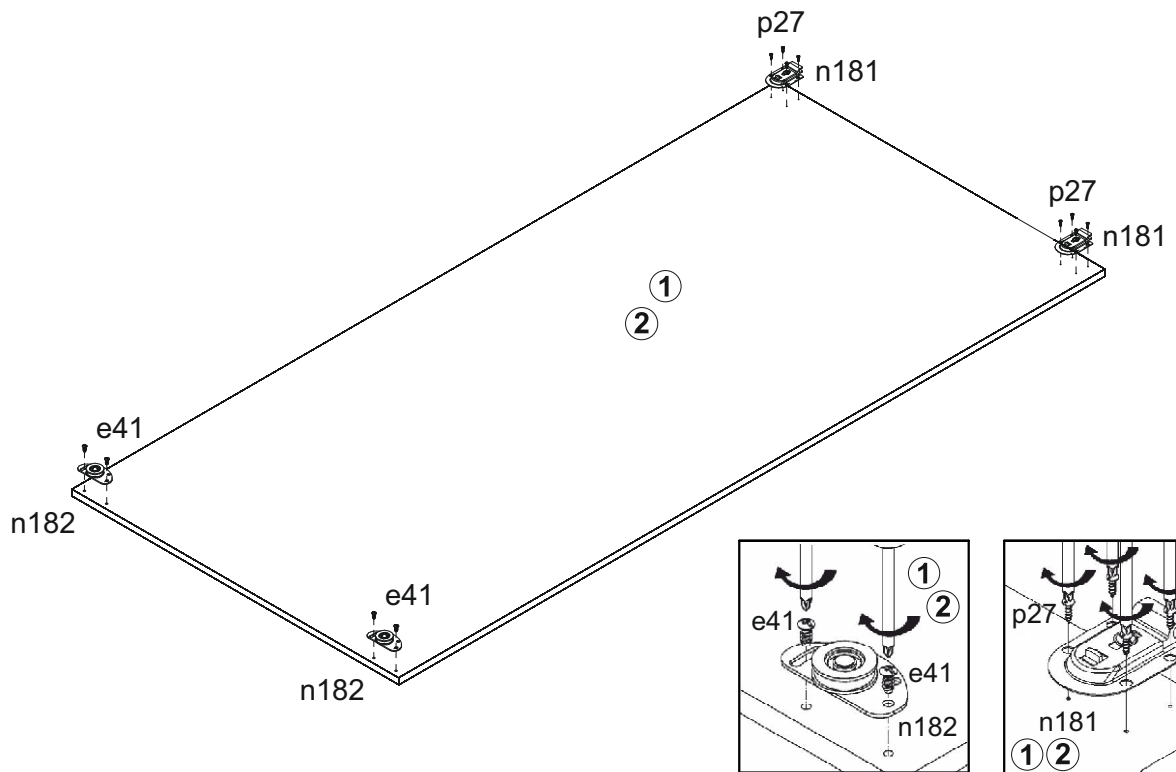
1



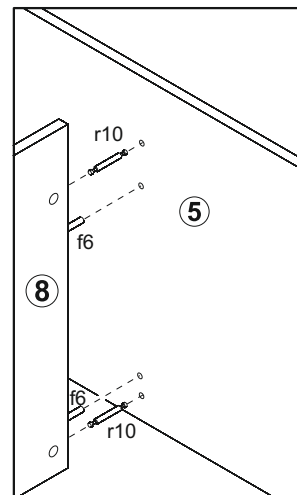
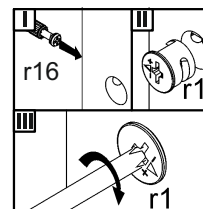
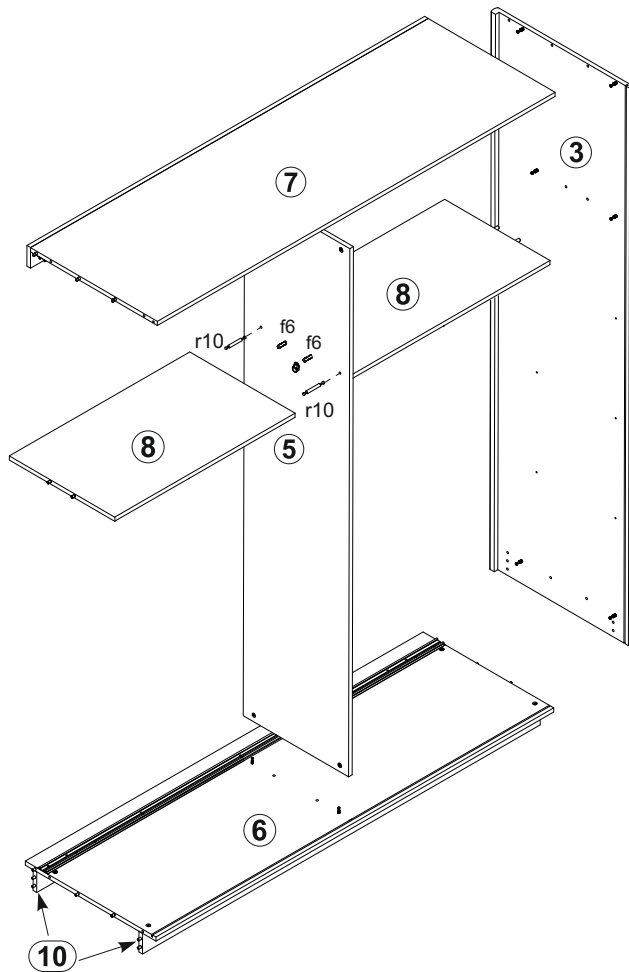
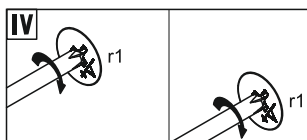
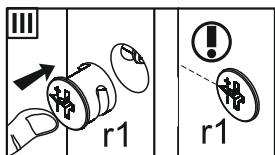
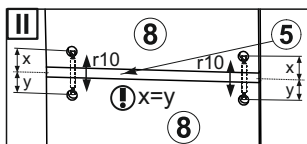
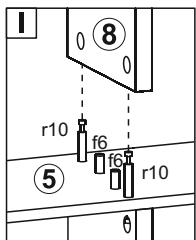
2



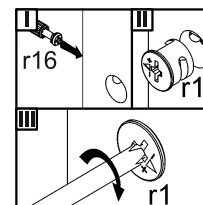
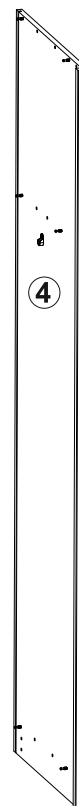
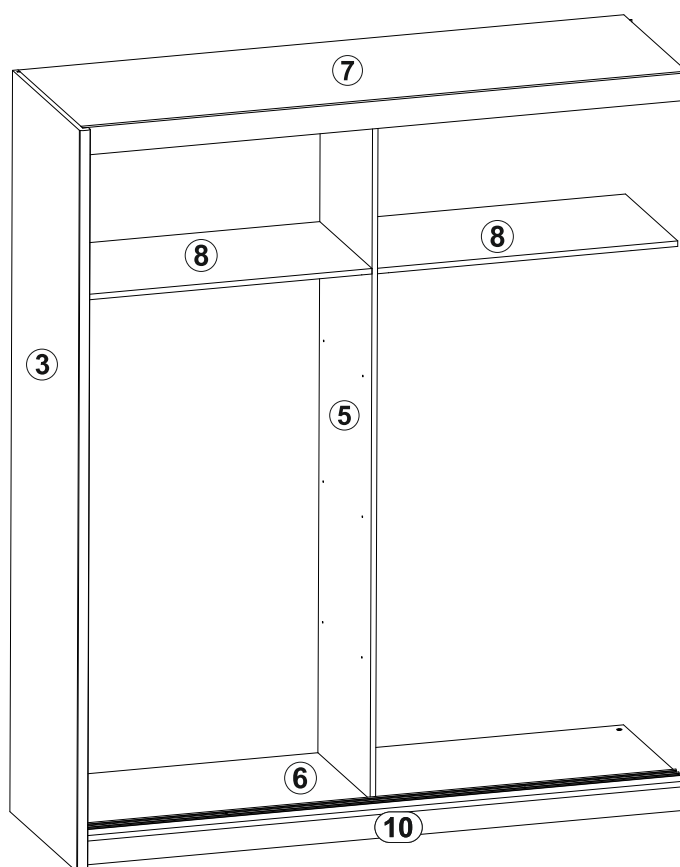
3



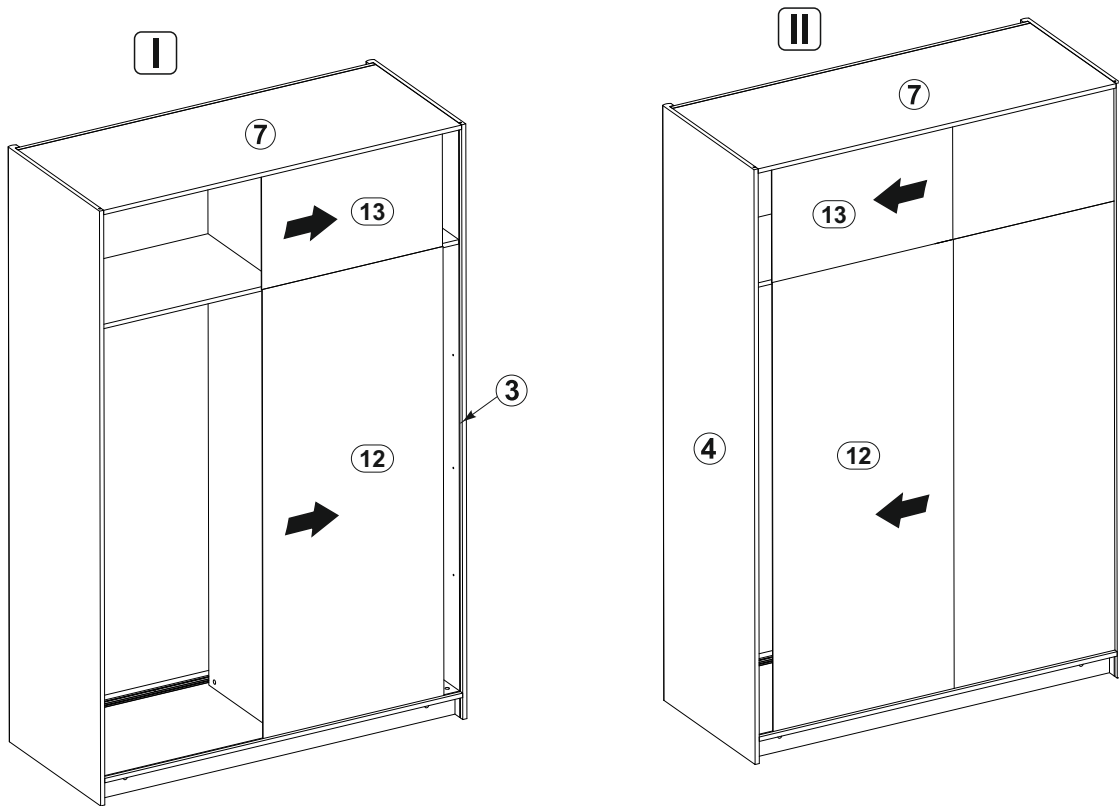
4



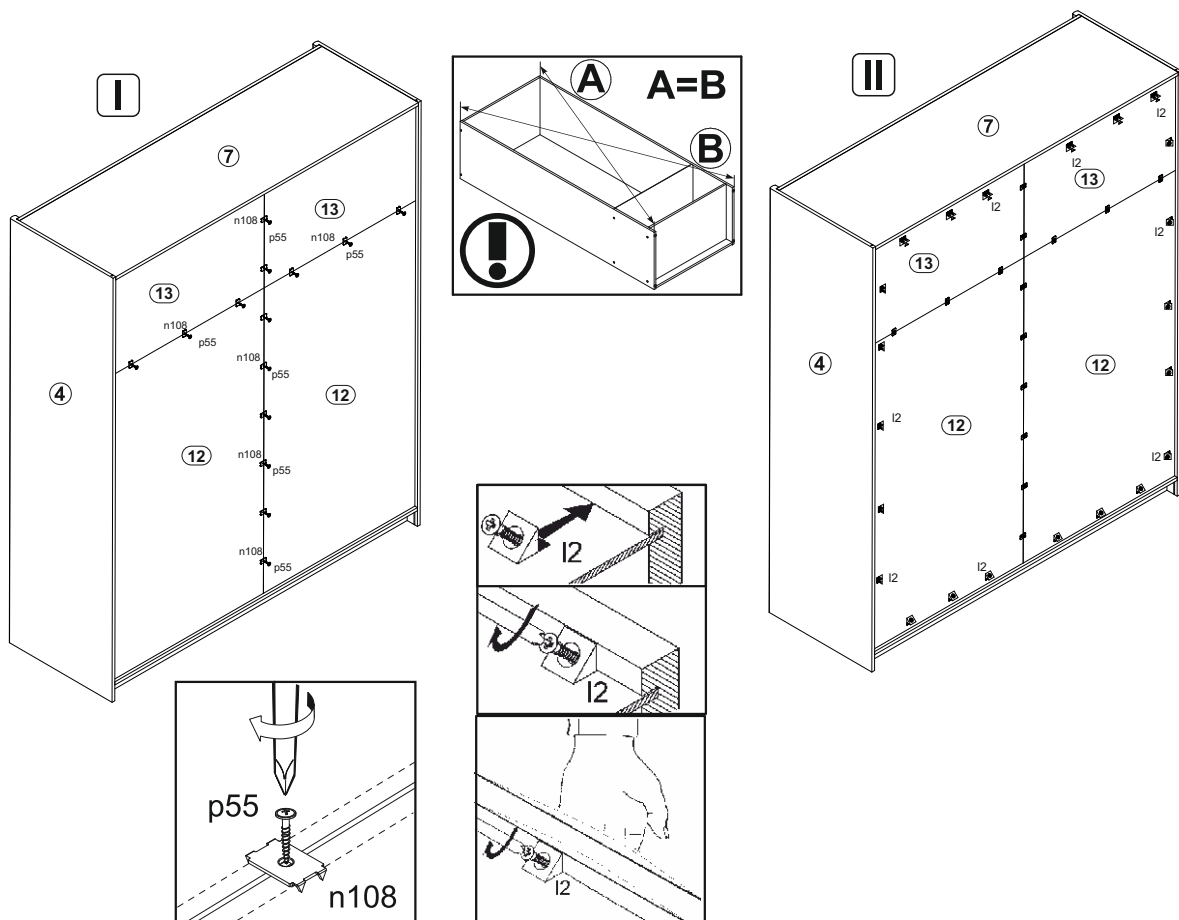
5



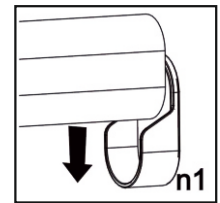
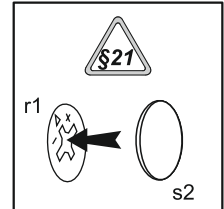
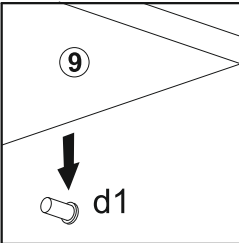
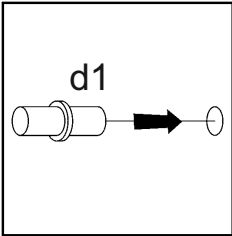
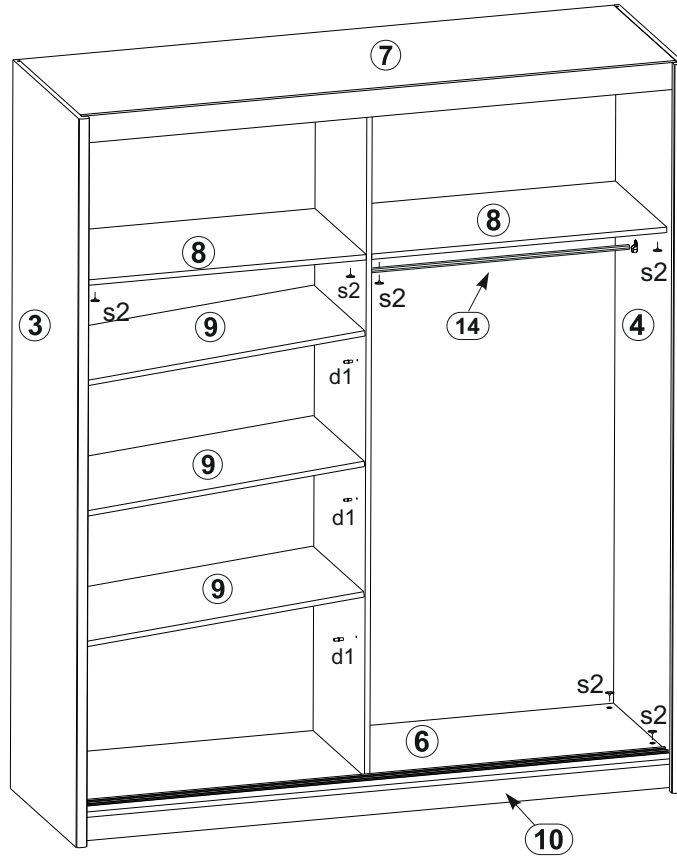
6



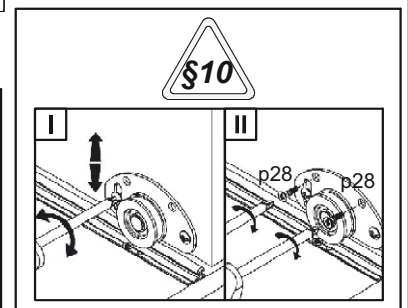
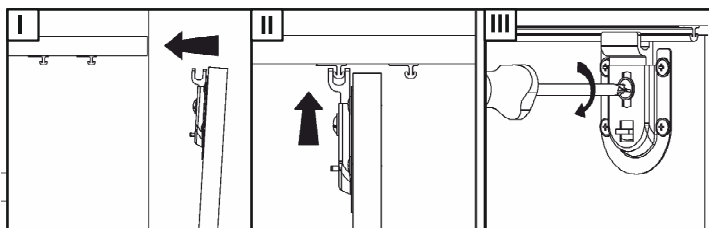
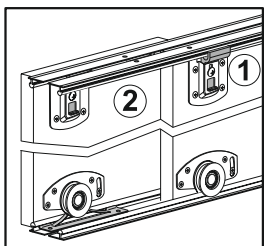
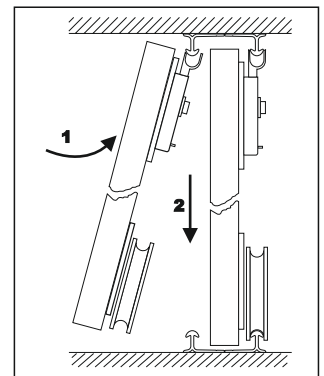
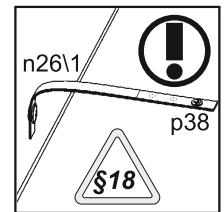
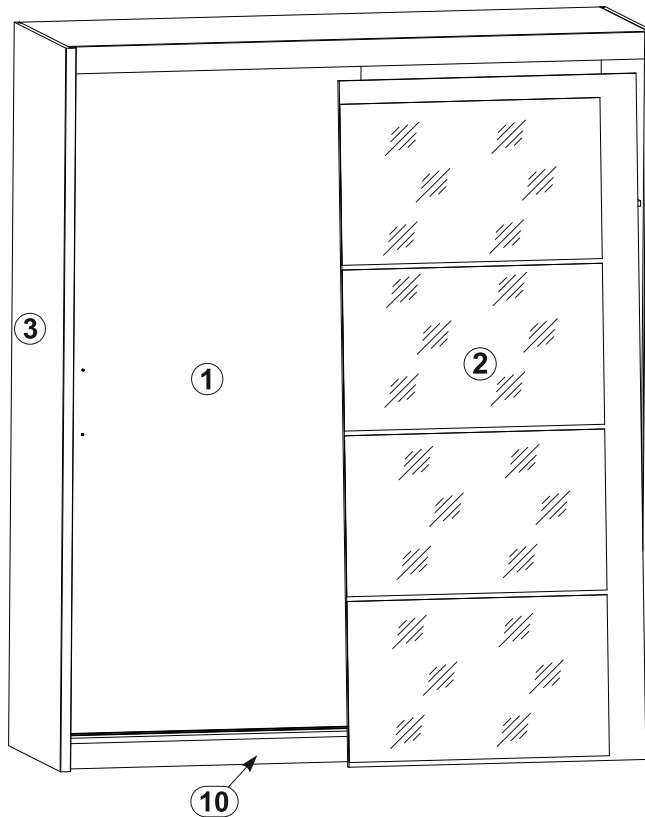
7



8



9



10

