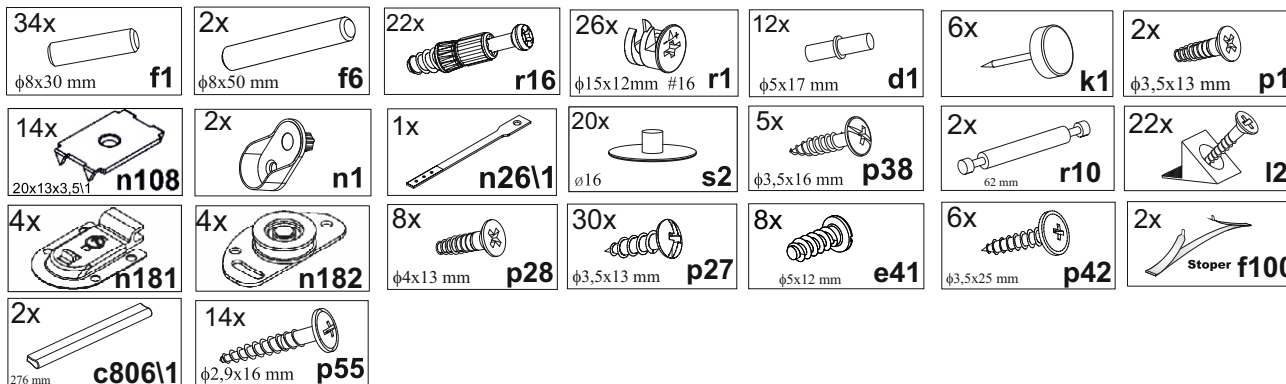
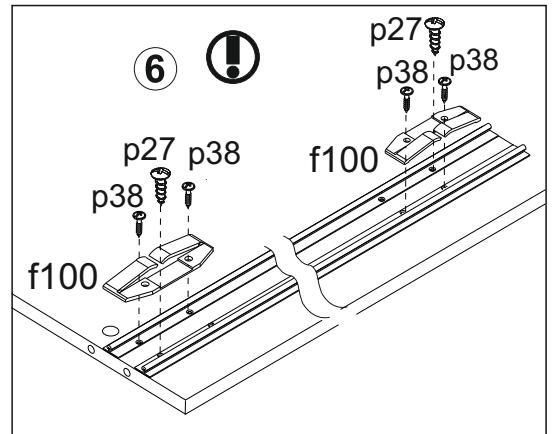
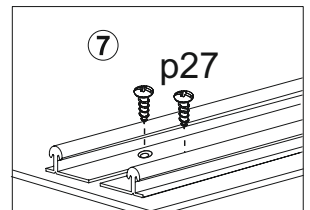
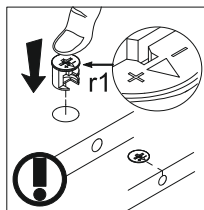
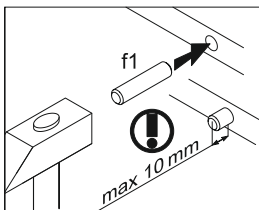
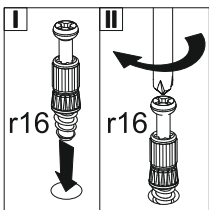
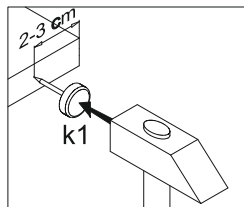
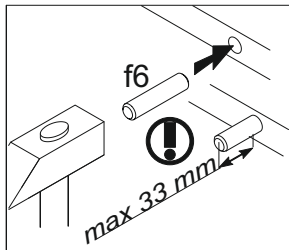
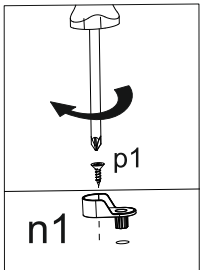
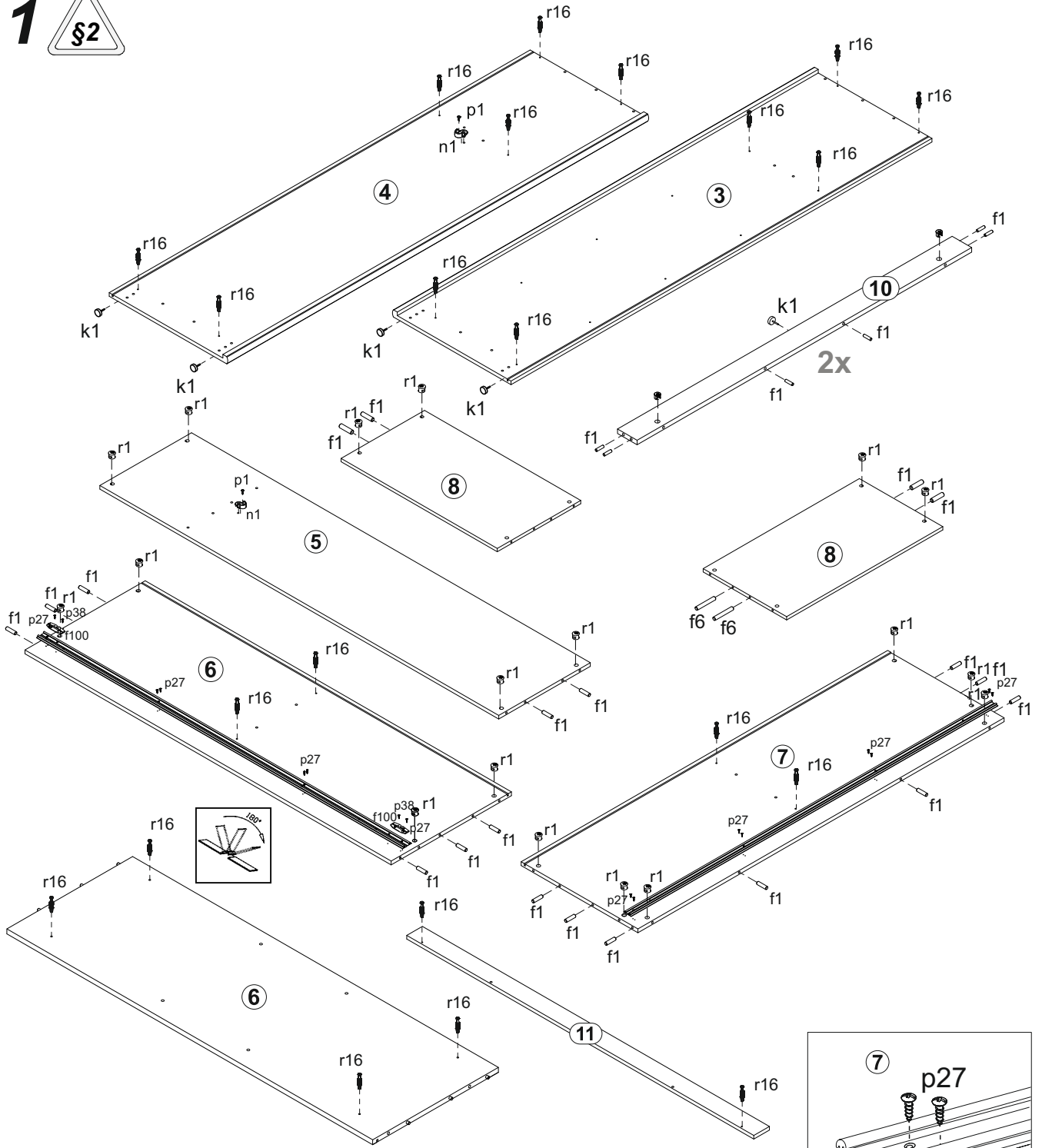


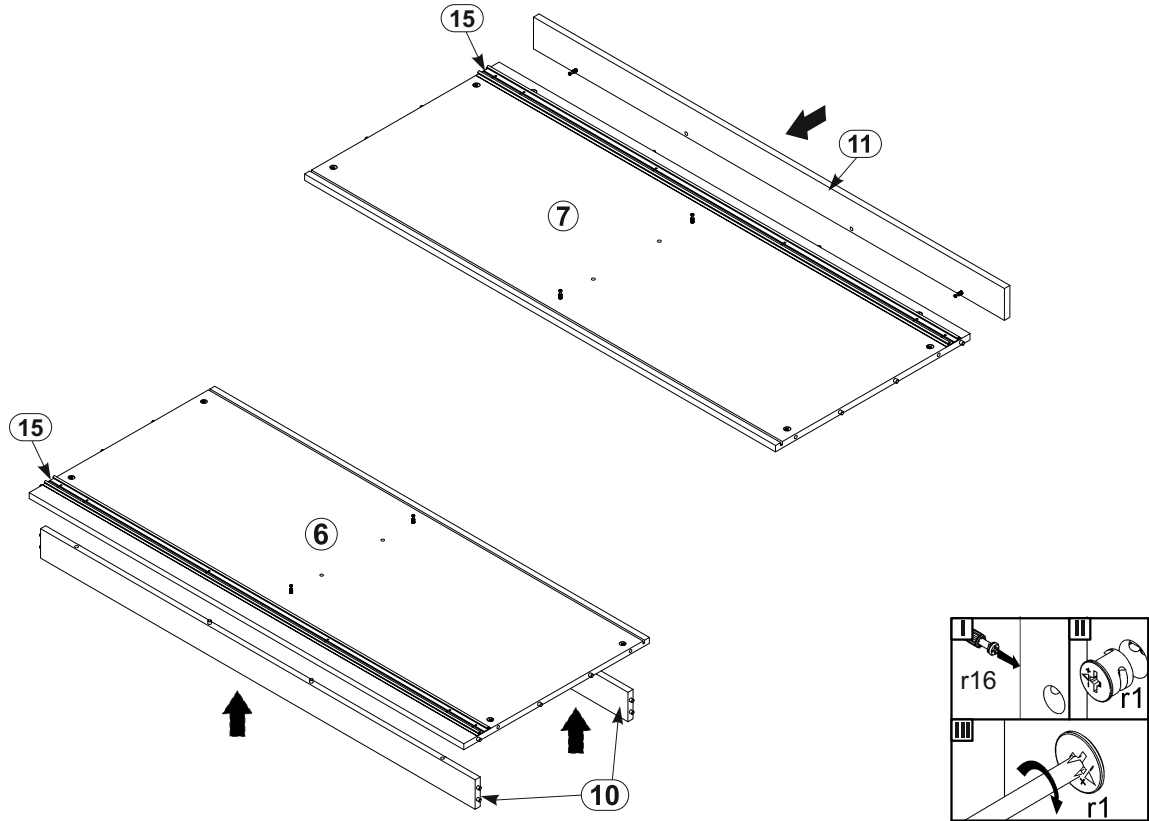
| A | B | C | D | A | B | C | D | | |
|---|---------|------|-----|-----|----|---------|------|-----|-----|
| 1 | KR1-022 | 2029 | 804 | 3/3 | 8 | KR1-320 | 776 | 460 | 2/3 |
| 2 | KR1-020 | 2029 | 804 | 3/3 | 9 | KR1-321 | 776 | 455 | 2/3 |
| 3 | KR1-110 | 2155 | 608 | 1/3 | 10 | KR1-410 | 1568 | 80 | 2/3 |
| 4 | KR1-111 | 2155 | 608 | 1/3 | 11 | KR1-409 | 1568 | 80 | 2/3 |
| 5 | KR1-106 | 2042 | 460 | 1/3 | 12 | KR1-907 | 1634 | 791 | 3/3 |
| 6 | KR1-318 | 1568 | 583 | 2/3 | 13 | KR1-922 | 422 | 791 | 3/3 |
| 7 | KR1-319 | 1568 | 566 | 2/3 | 14 | DR-771 | 771 | | 1/3 |
| | | | | | 15 | | 1567 | 20 | 1/3 |



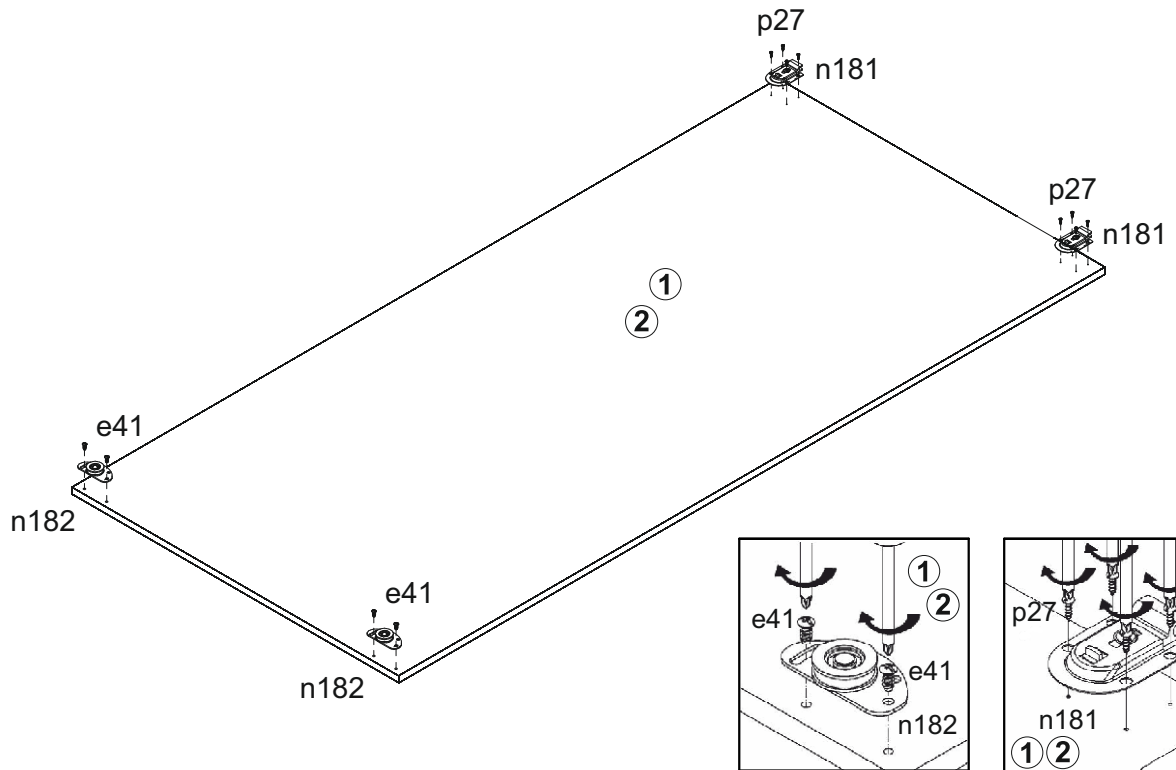
1



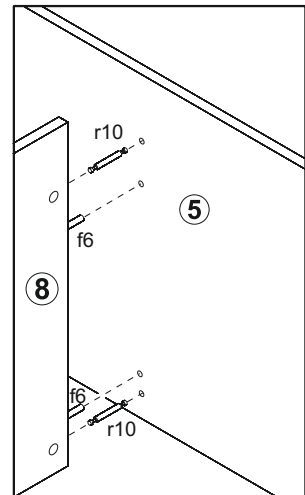
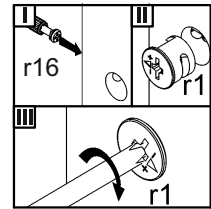
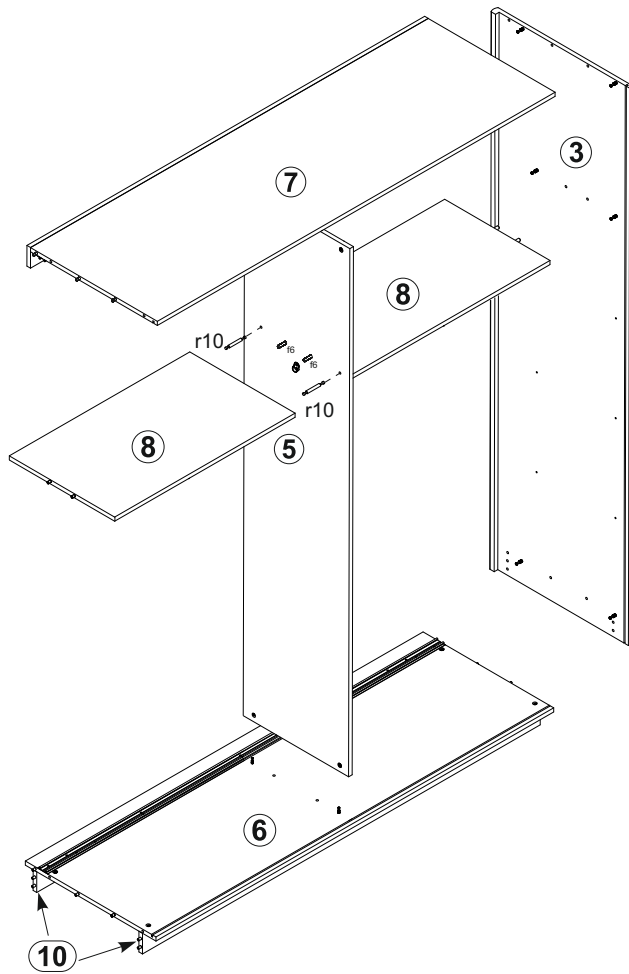
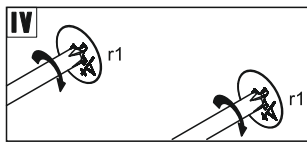
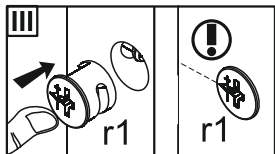
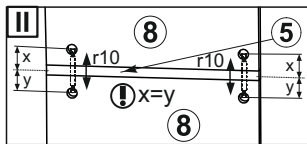
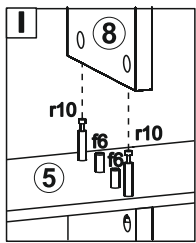
2



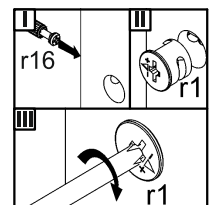
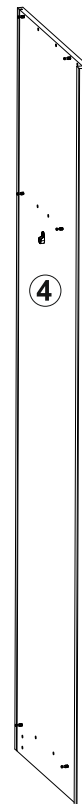
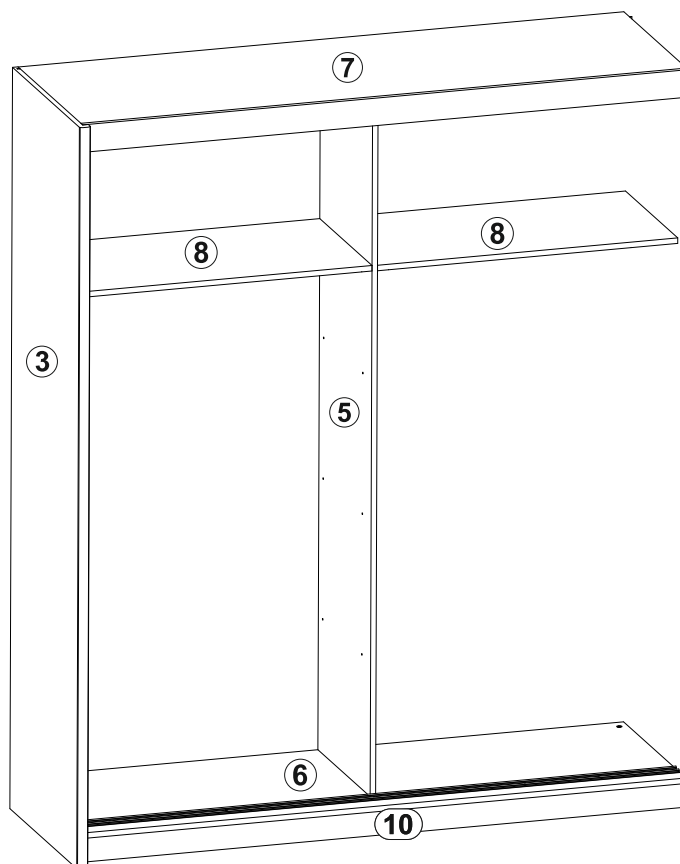
3



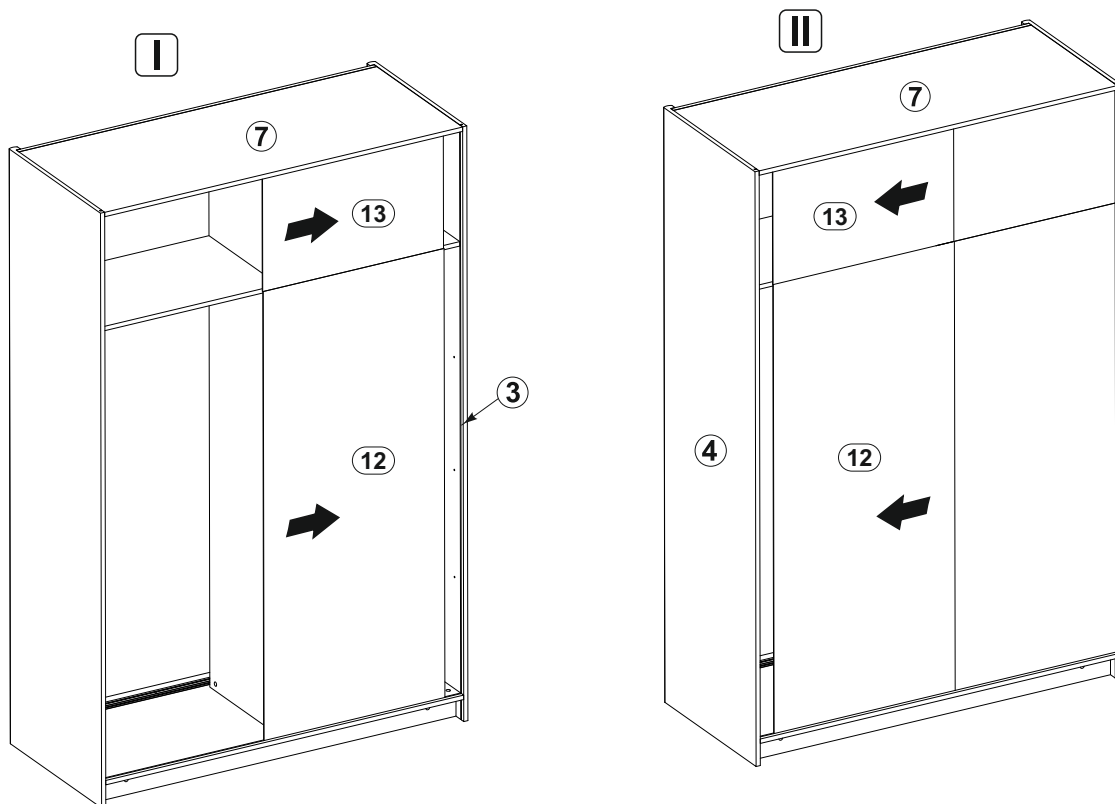
4



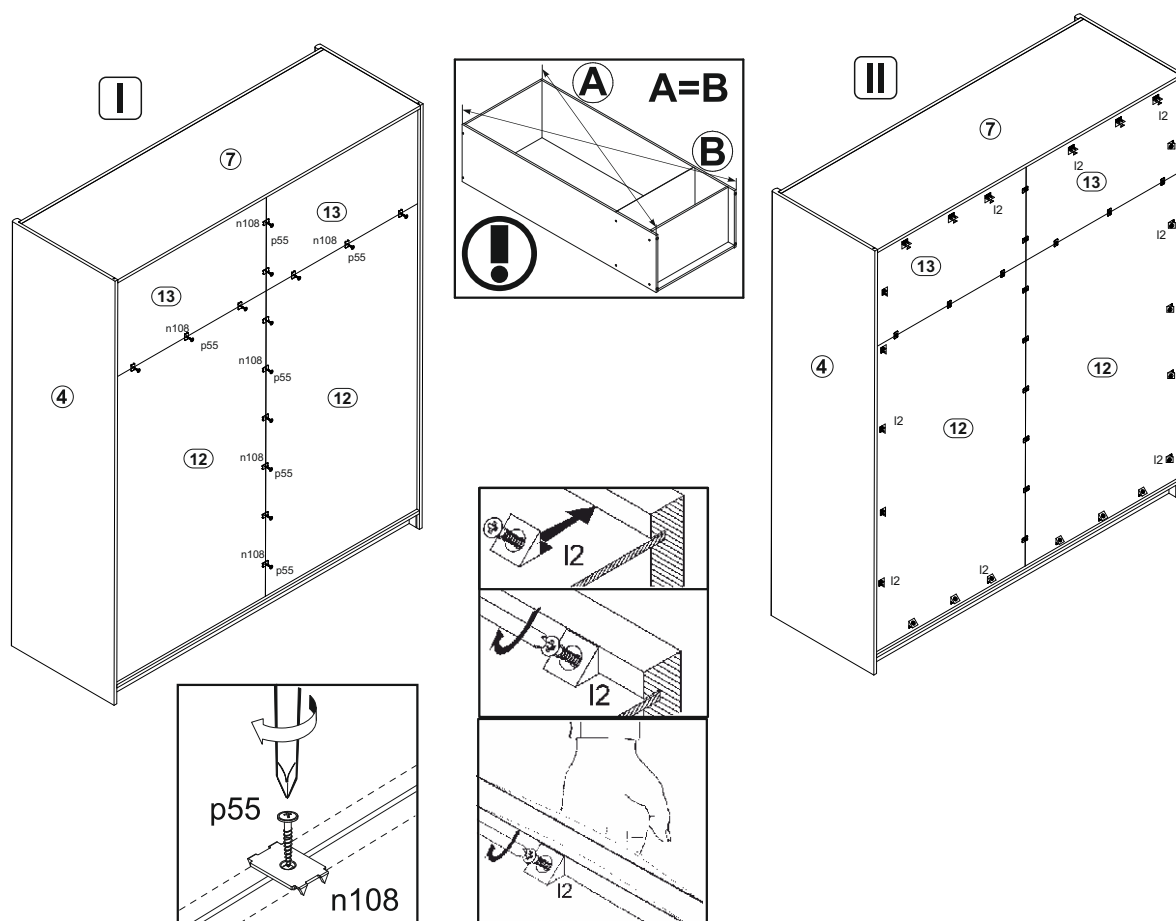
5



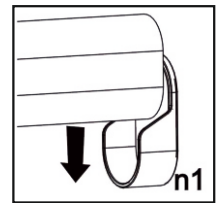
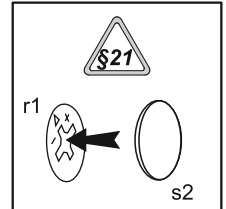
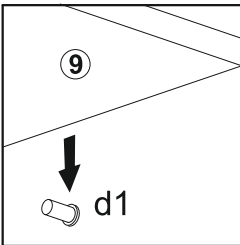
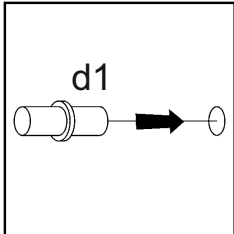
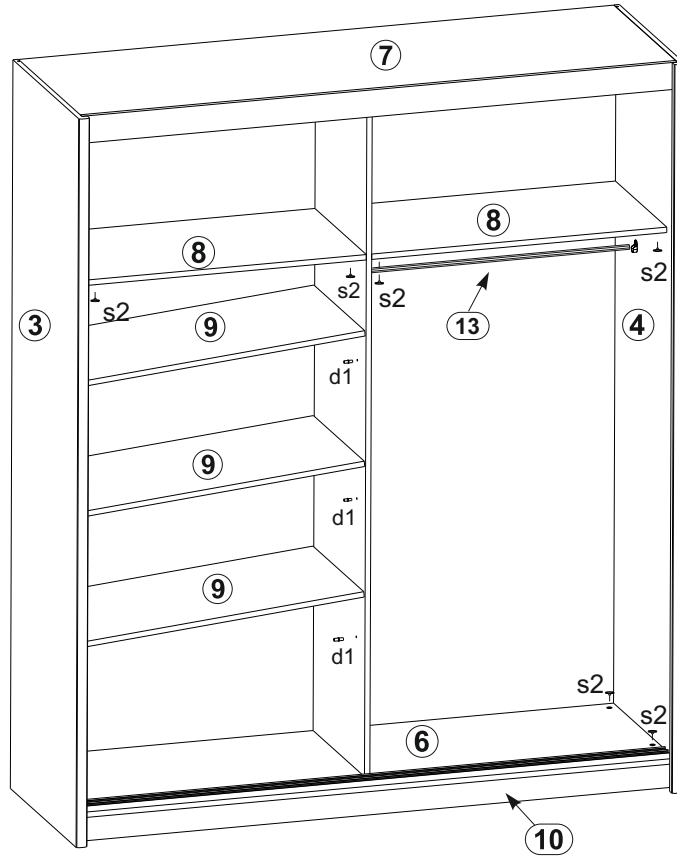
6



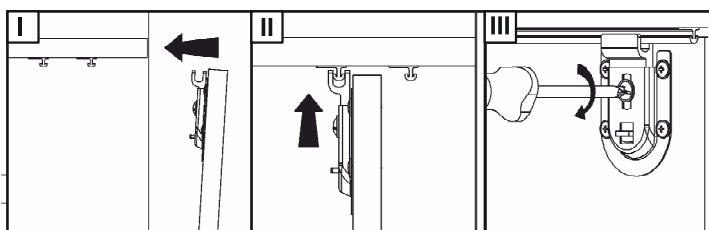
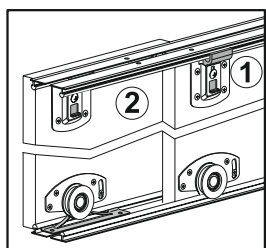
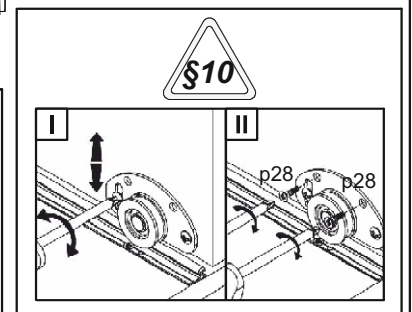
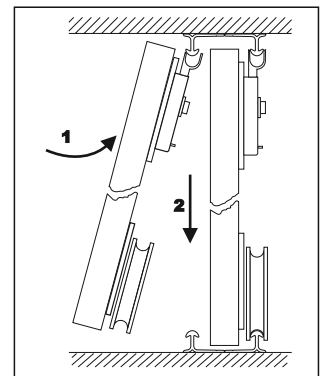
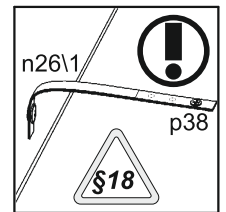
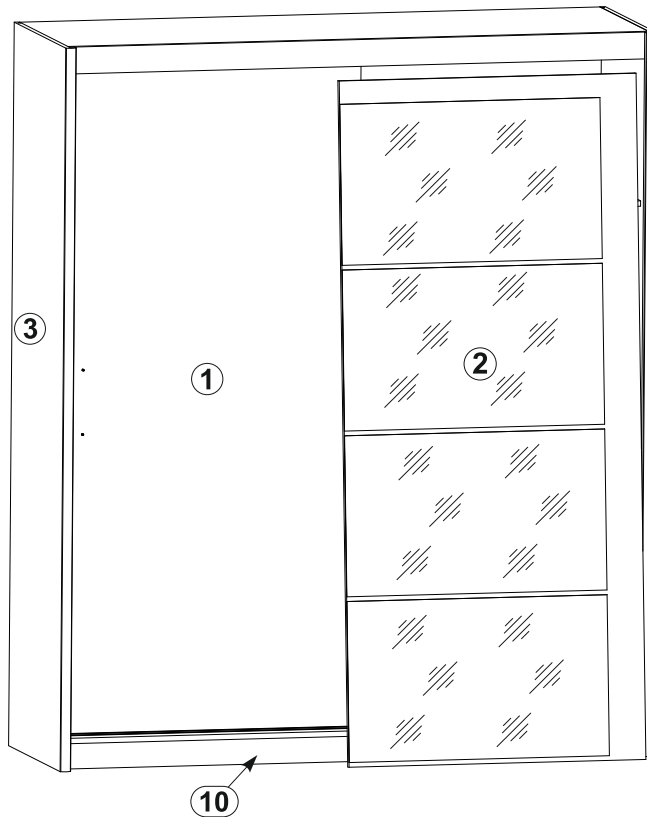
7



8



9



10

