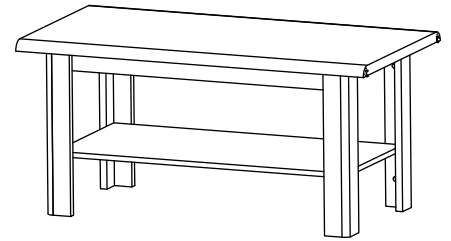
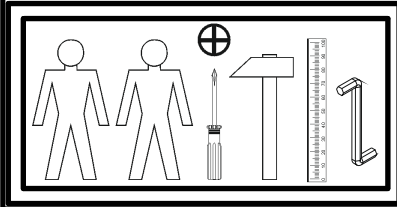
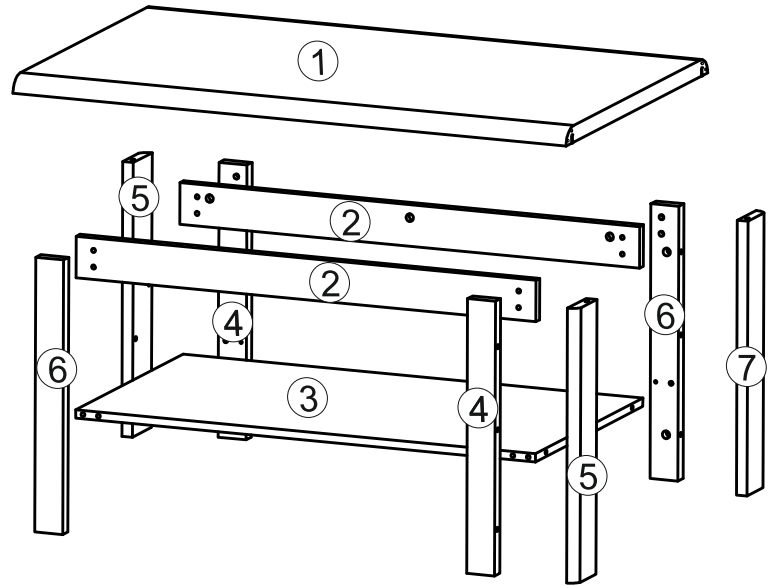


# S31

# JLAW/115/55



A	B	C	D	
1	S31-232	1150	600	1/2
2	S31-465	956	80	1/2
3	S31-341	956	455	1/2
4	S31-466	529	58	2/2
5	S31-467	529	80	2/2
6	S31-468	529	58	2/2
7	S31-469	529	80	2/2



10x φ15x12mm #16 <b>r1</b>	8x φ15x15mm #22 <b>r3</b>	18x 20/9 <b>r16</b>	20x φ8x30 mm <b>f1</b>	8x <b>k1</b>	8x φ10/M6x11 mm <b>r7</b>	8x M6x25 mm <b>j145</b>
18x φ16 <b>s2</b>	4x <b>l27</b>	8x Ø3x12 mm <b>p83</b>				

