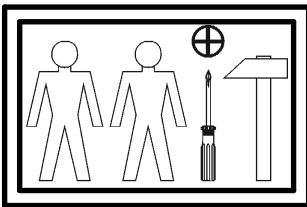
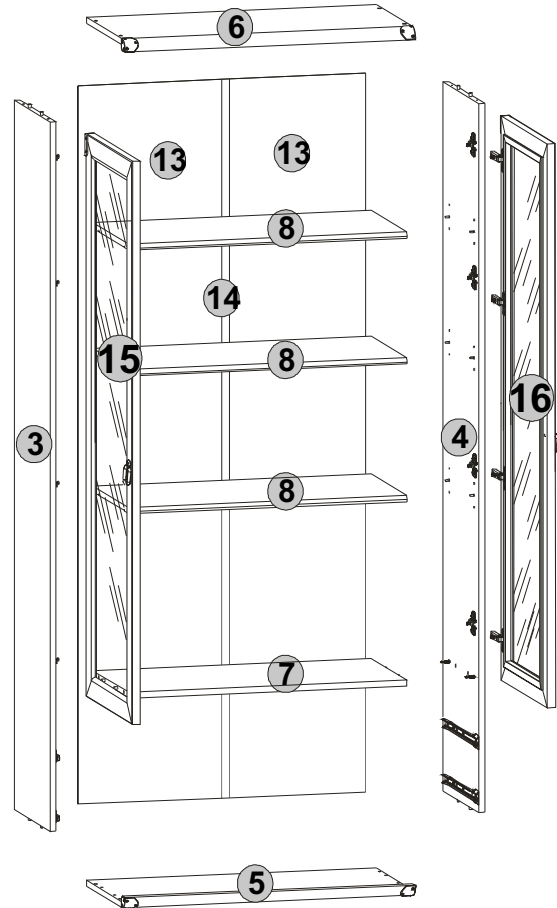
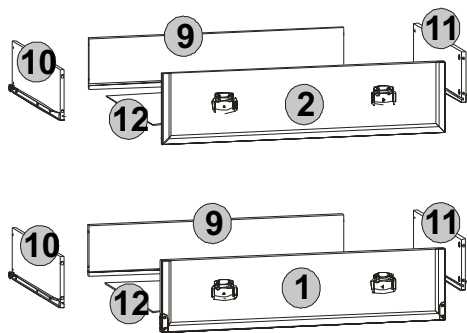
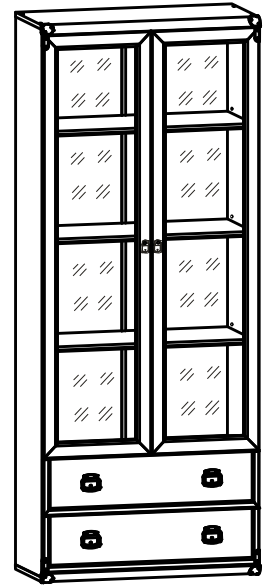




A	B	C	D
1	S31-0002	796x196	3/4
2	S31-0006	796x196	3/4
3	S31-179	1916x370	1/4
4	S31-180	1916x370	1/4
5	S31-207	800x395	2/4
6	S31-211	800x395	2/4
7	S31-306	767x370	1/4
8	S31-330	767x360	1/4
9	S31-5503	710x140	1/4
10	S31-5504	350x140	1/4
11	S31-5505	350x140	1/4
12	S31-9910	720x348	1/4
13	S31-1901	1942x396	1/4
14	Lh-1912	1912x14	1/4
15	S31-062	1480x396	4/4
16	S31-063	1480x396	4/4



4x 32 mm c158	12x φ5x17 mm d1	8x φ7x50 mm e1	12x φ6x13 mm e3	8x φ5x9 mm e19	12x φ8x30 mm f1	2x I28^P	4x φ3,5x16 mm p25	16x φ3x12 mm p83
8x φ6,5x40 mm f25	8x M4x22 mm j30	4x k22	65x l1	4x I27	2x I28^L	12x φ15x12mm #16 r1	2x M4x25 mm j8	12x 20/9 r16
2x 333 mm t19	2x 350 mm w45^{CL}	2x 350 mm w45^{CR}	2x 350 mm w45^{DL}	2x 350 mm w45^{DR}	1x z1	8x b1	8x K0 a2	2x c159

