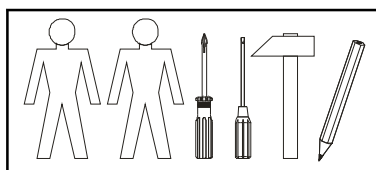
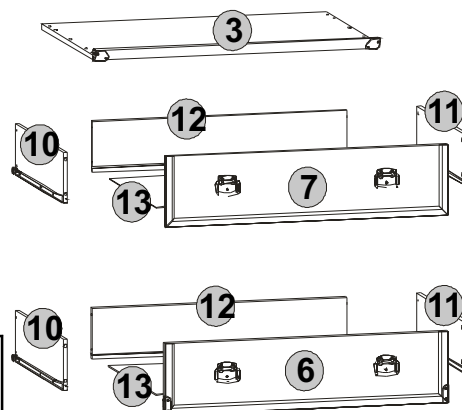
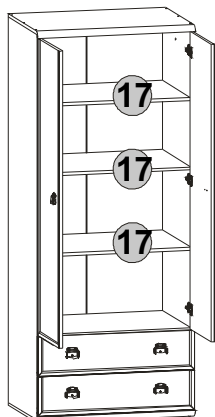


A	C	B	D
1	1916x540	S31-101	1/4
2	1916x540	S31-102	1/4
3	800x565	S31-201	2/4
4	800x565	S31-202	2/4
5	767x540	S31-301	1/4
6	796x196	S31-0002	4/4
7	796x196	S31-0006	4/4
8	1480x396	S31-004	4/4
9	1480x396	S31-005	4/4
10	500x140	S31-5501	1/4
11	500x140	S31-5502	1/4
12	710x140	S31-5503	1/4
13	720x498	S31-9904	1/4
14	1942x396	S31-1901	1/4
15	760x24	dr-760	1/4
16	1912x14	Lh-1912	1/4

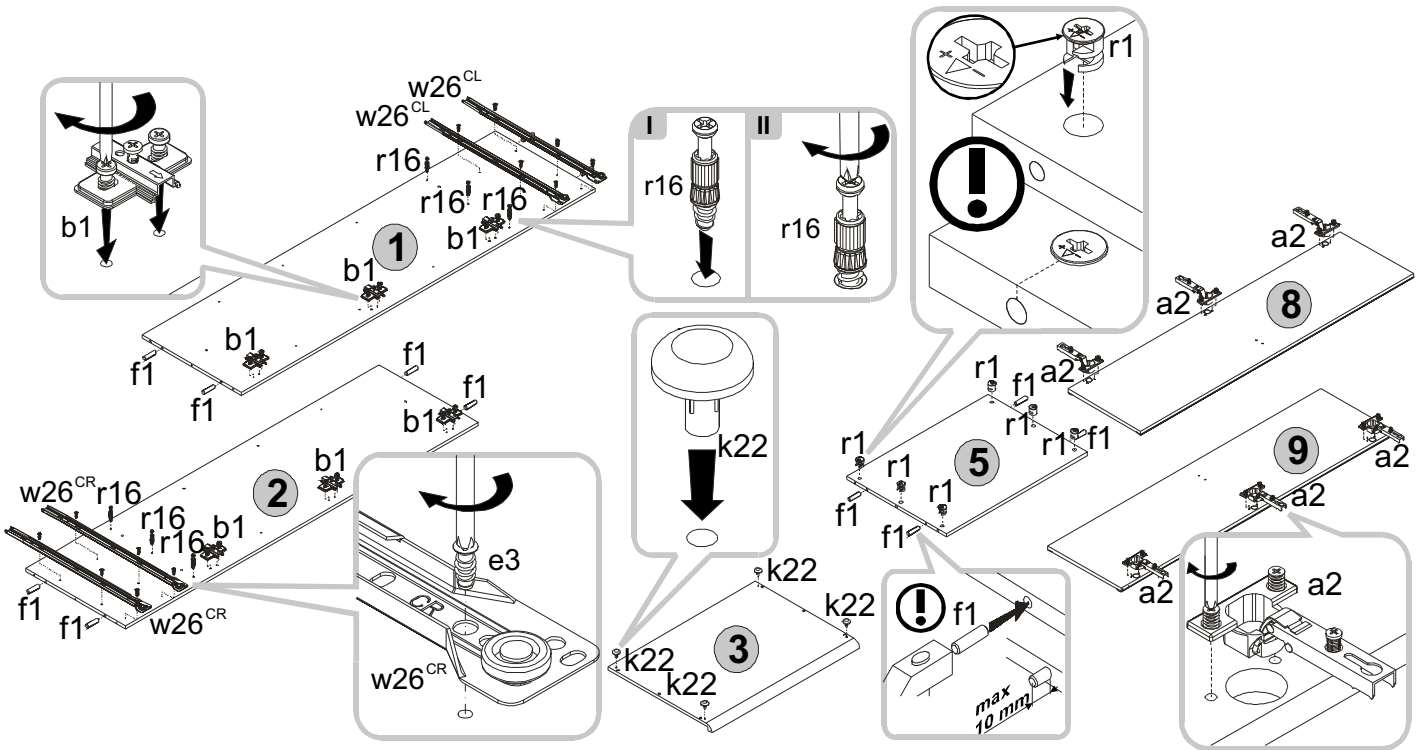


A	C	B	D
17	767x535	S31-302	1/1

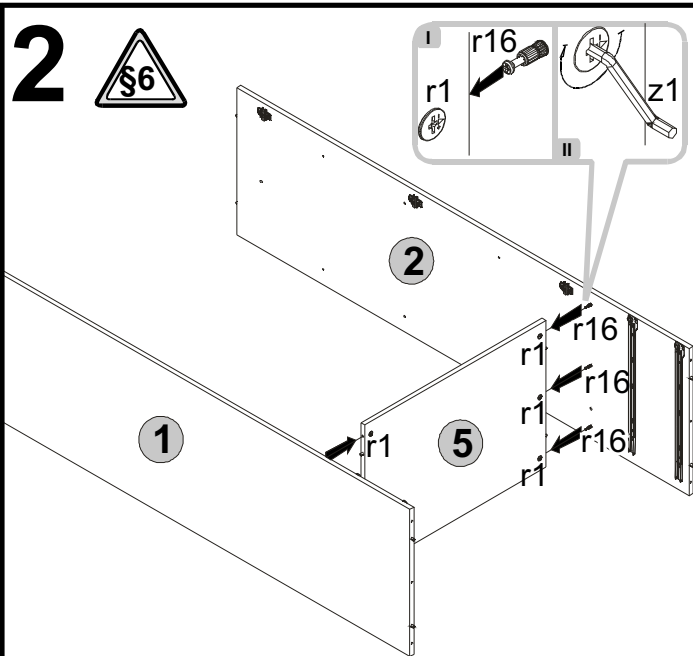


6x a2	6x b1	6x c158 32 mm	12x e1 φ7x50 mm
12x e3 φ6x13 mm	12x e19 φ5x9 mm	12x f1 φ8x30mm	8x f25 φ6.5x40 mm
12x j30 M4x22 mm	4x k22 φ15	65x l1	
4x i27	2x i28 ^L	2x i28 ^P	2x n1
2x p1 φ3.5x13 mm	4x p25 φ3.5x16 mm	16x p83 φ3x12 mm	
14x r1 φ15x12mm #16	14x r16	2x t17 483 mm	2x w26 ^{CL} 500 mm
2x w26 ^{CR} 500 mm	2x w26 ^{DL} 500 mm	2x w26 ^{DR} 500 mm	
		12x d1 φ5x17 mm	1x z1

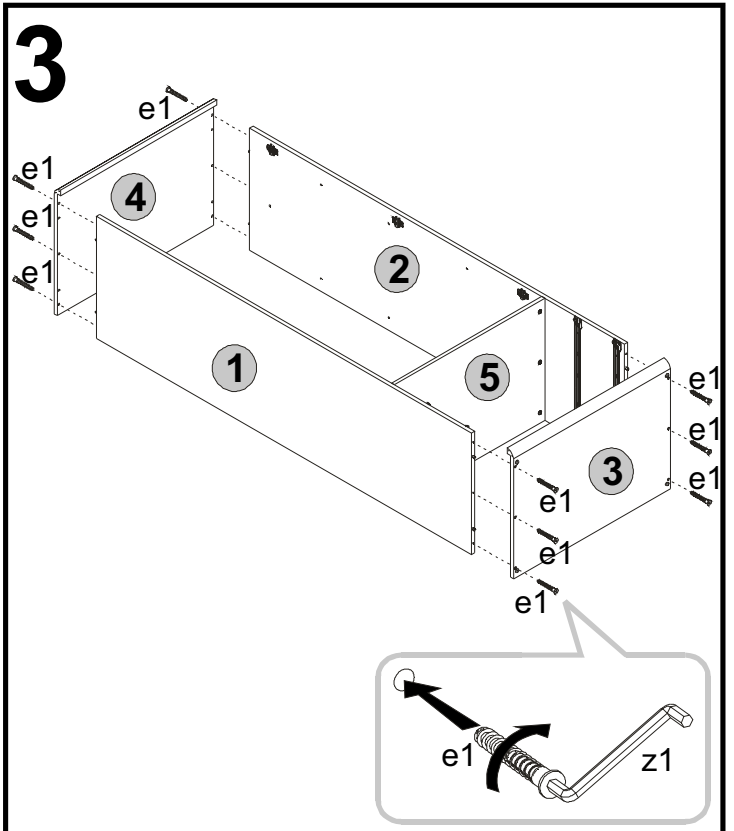
1



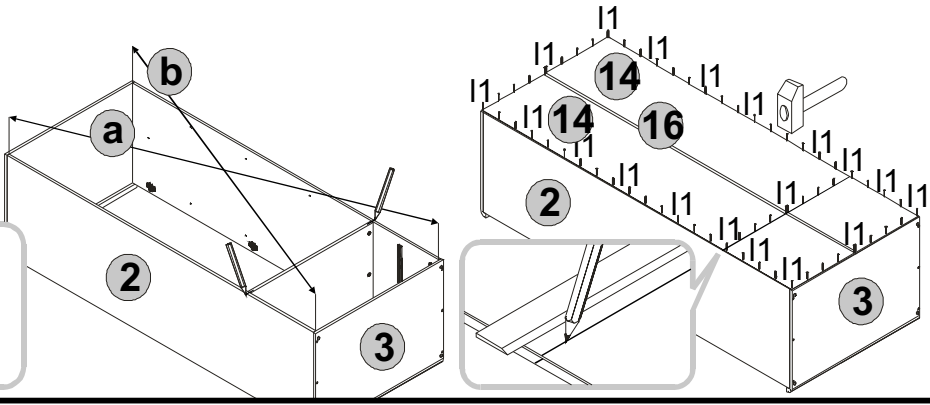
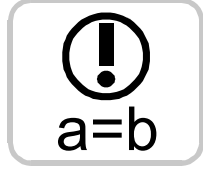
2



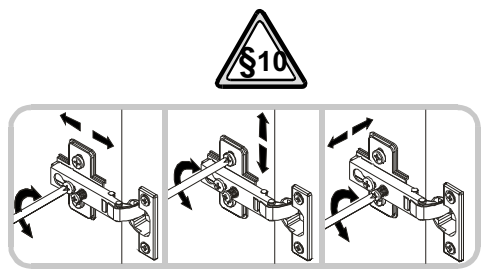
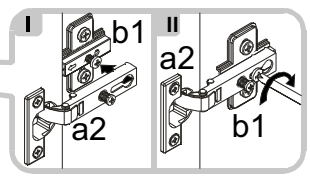
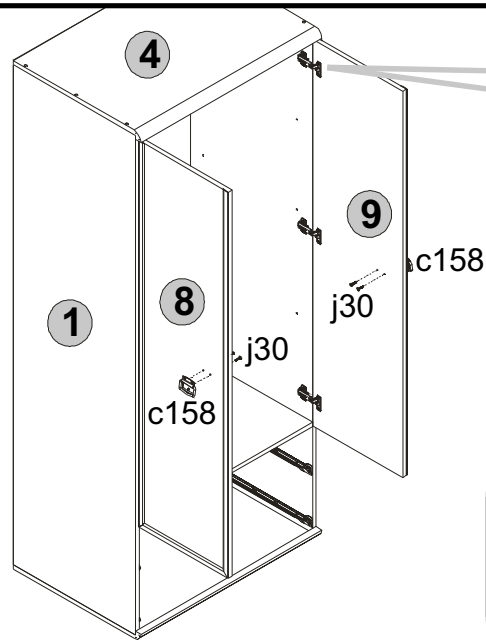
3



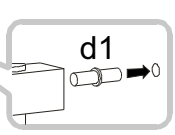
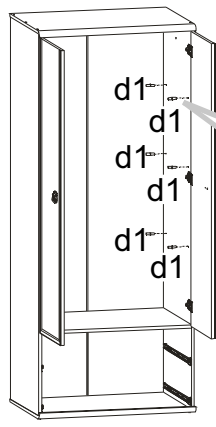
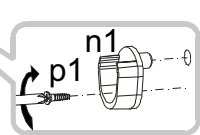
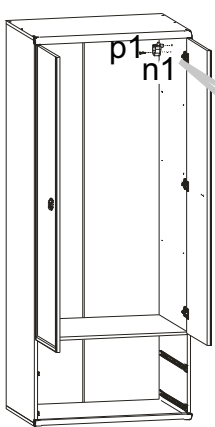
4



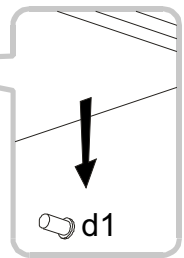
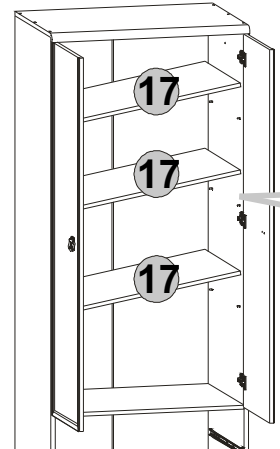
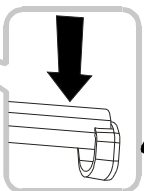
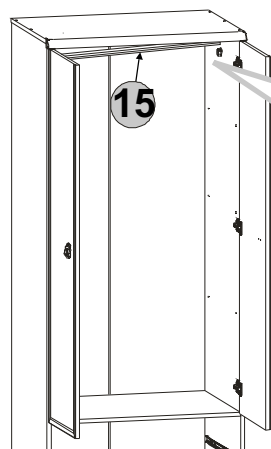
5



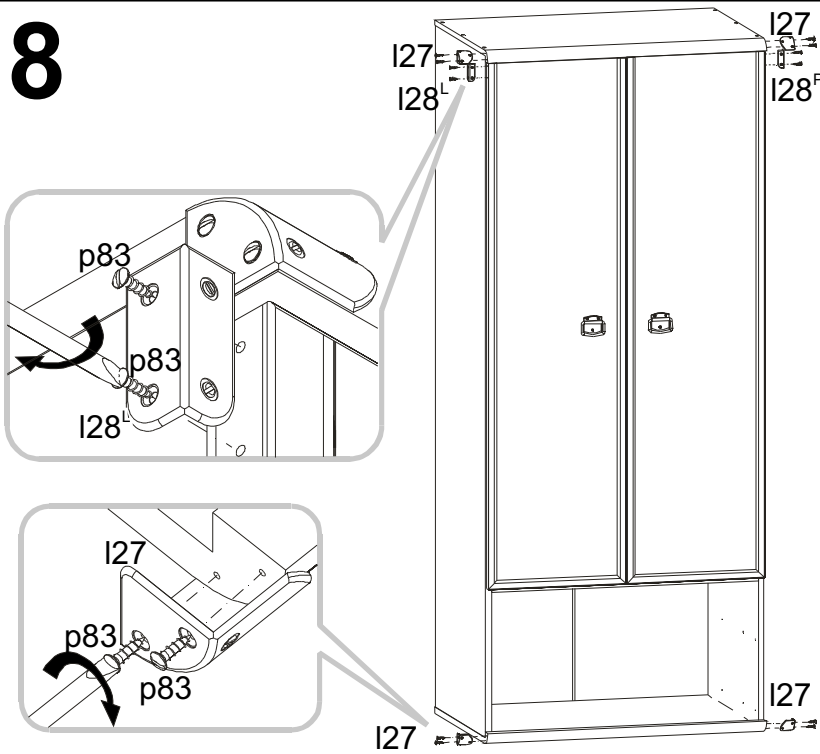
6



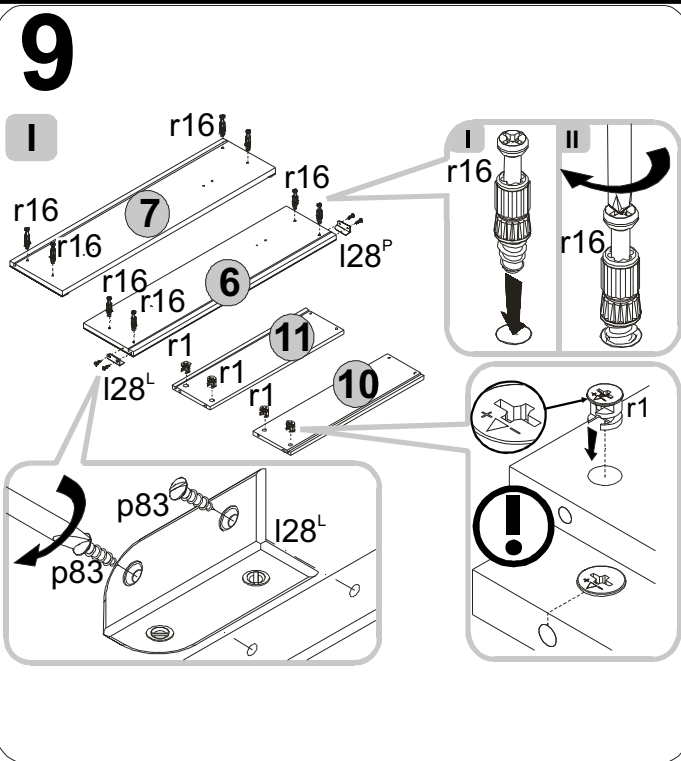
7



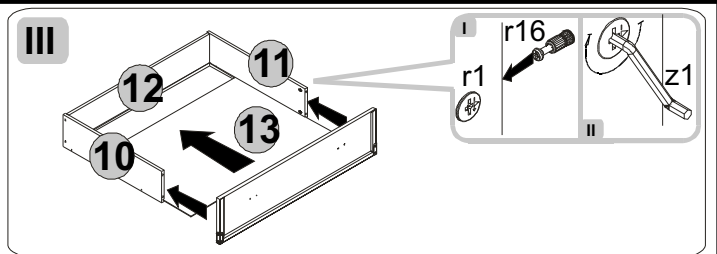
8



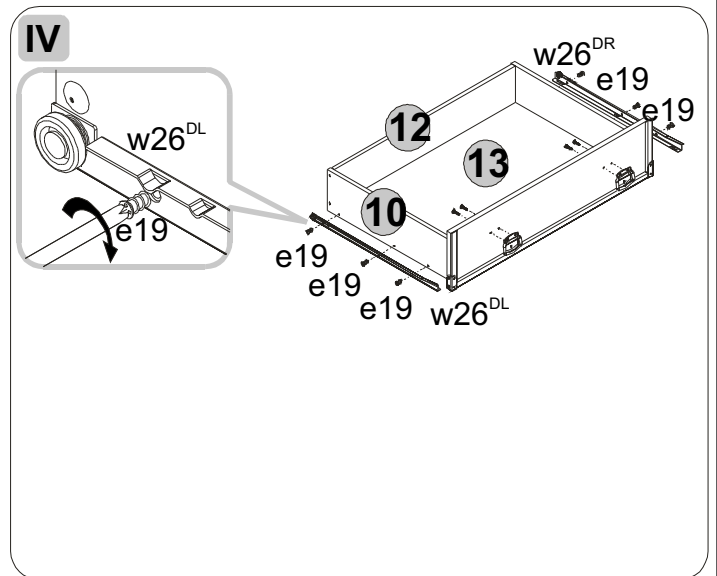
9



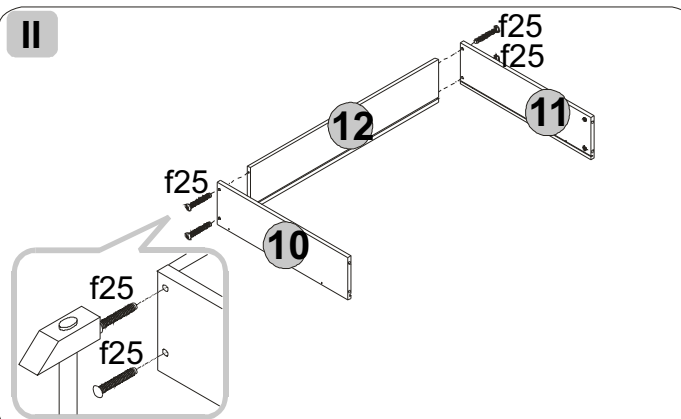
III



IV



II



V

