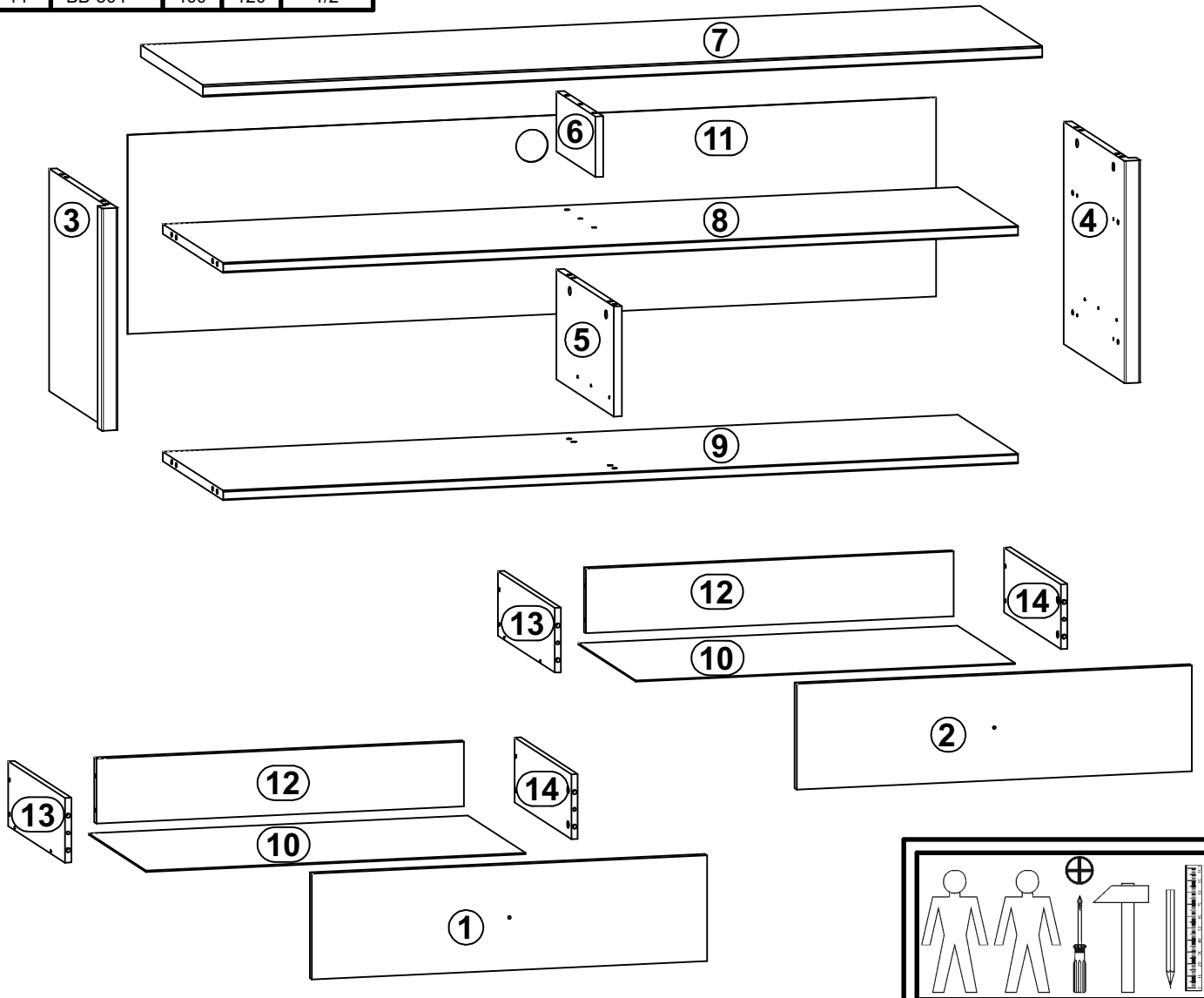
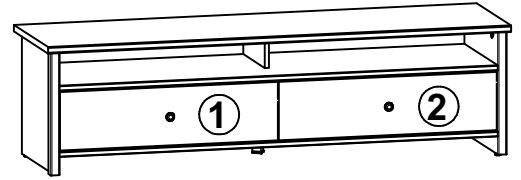
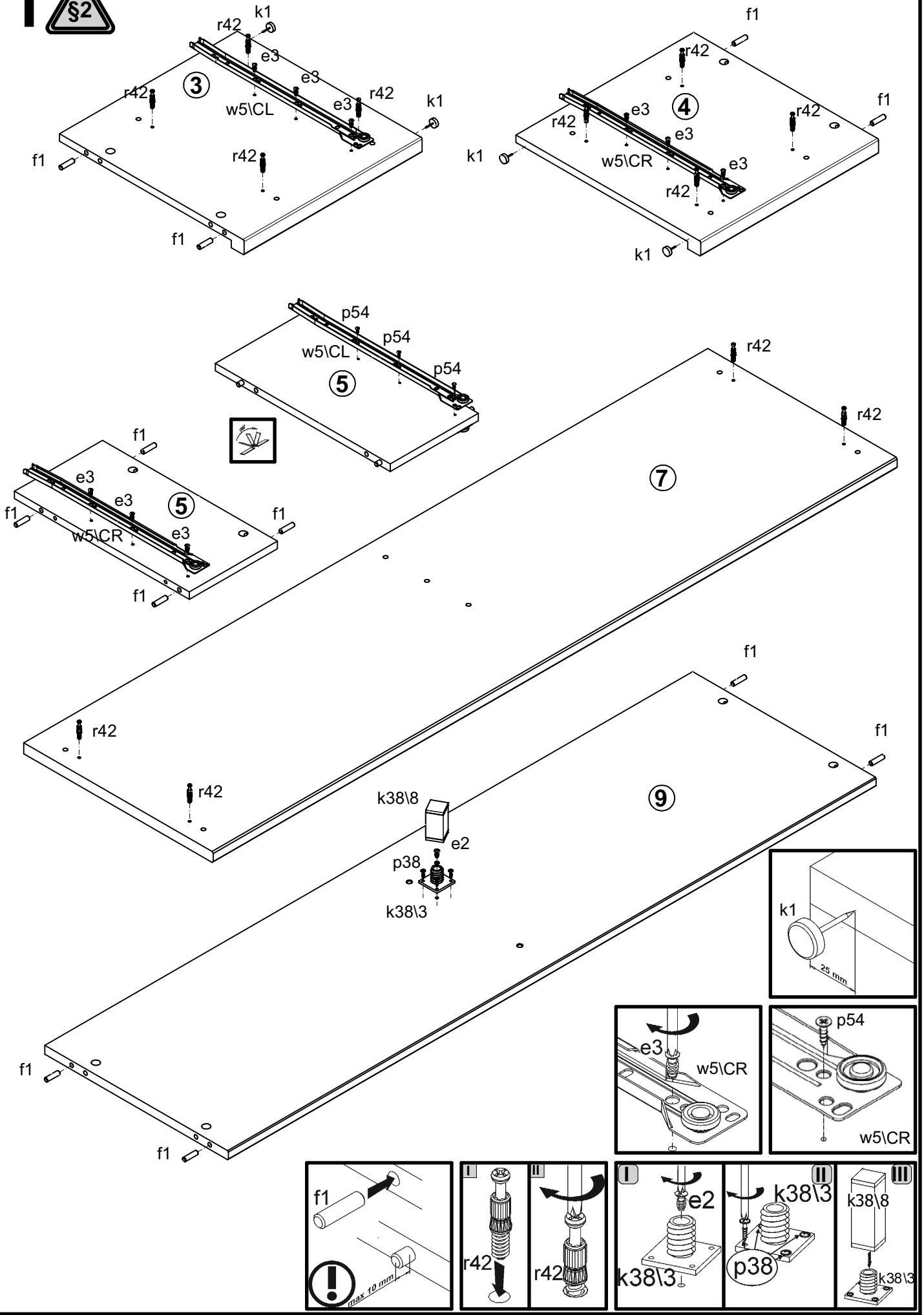


| A | B | C | D |
|----|-----------|------|------|
| 1 | S322-0025 | 746 | 196 |
| 2 | S322-0026 | 746 | 196 |
| 3 | S322-1105 | 412 | 428 |
| 4 | S322-1106 | 412 | 428 |
| 5 | S322-1107 | 204 | 404 |
| 6 | S322-1108 | 112 | 275 |
| 7 | S322-2213 | 1585 | 439 |
| 8 | S322-3323 | 1501 | 425 |
| 9 | S322-3324 | 1501 | 425 |
| 10 | S322-9931 | 715 | 405 |
| 11 | S322-9932 | 369 | 1528 |
| 12 | ZB-5509 | 685 | 120 |
| 13 | BB-503 | 400 | 120 |
| 14 | BB-504 | 400 | 120 |

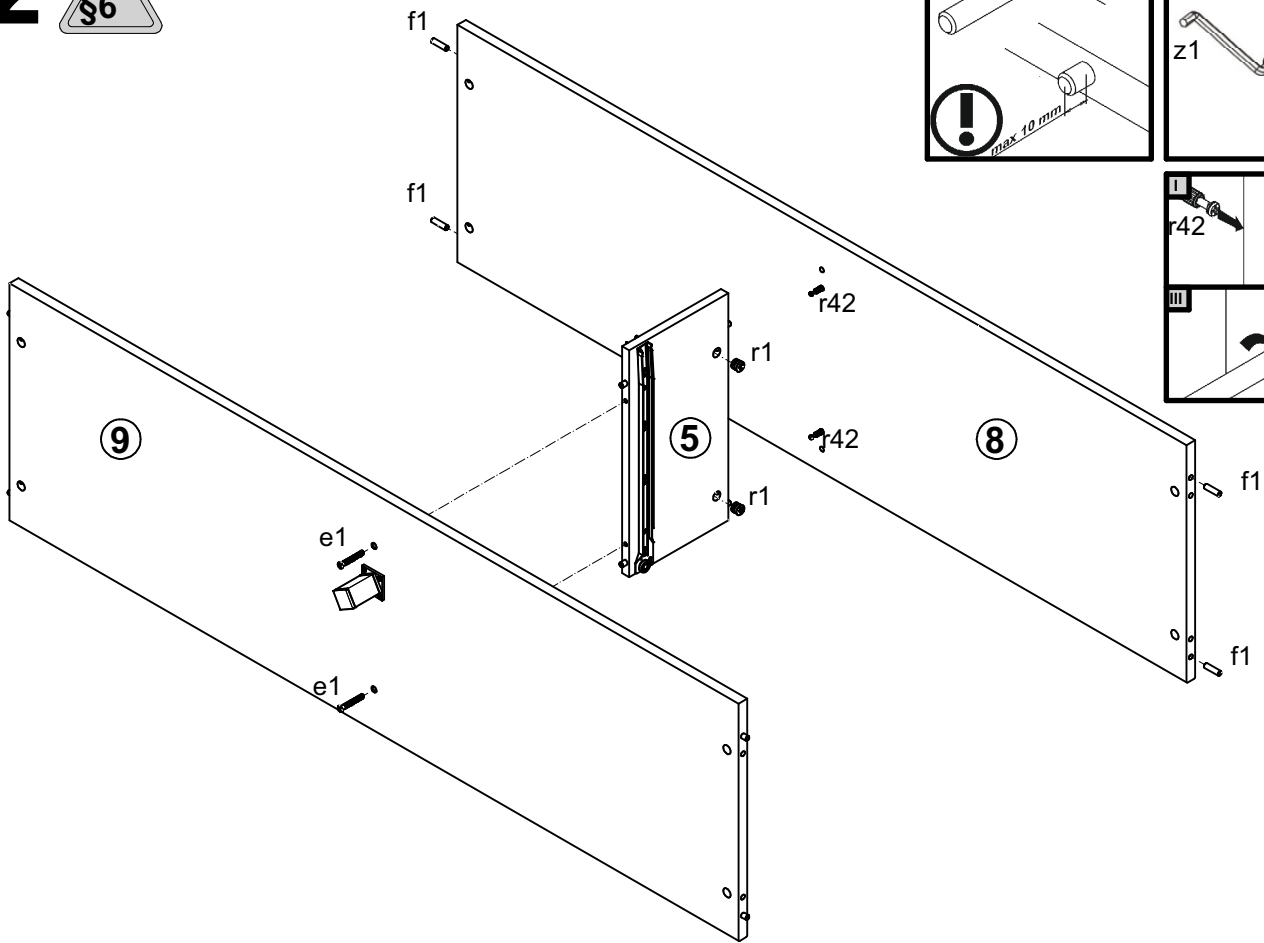
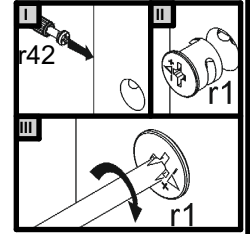
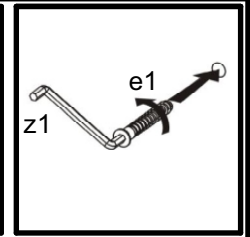
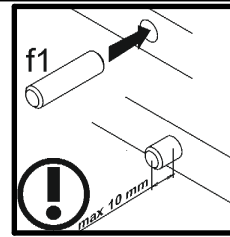


| | | | | | | | | |
|------------------------------|----------------------------|------------------------|-------------------------|-------------------------|--------------------------|-------------------------|----------------------------|---------------------|
| 2x M4 c415 | 2x ø7x50 mm e1 | 1x ø6.3x13 mm e2 | 9x ø6x13 mm e3 | 8x ø5x9 mm e19 | 26x ø8x30 mm f1 | 8x ø6.5x40 mm f25 | 2x M4x20 mm j1 | 4x k1 |
| 1x 42.5x42.54 mm k3813 | 1x 30x30x60 mm k3818 | 55x l1 | 2x ø3.5x16 mm p25 | 2x ø3.5x10 mm p35 | 16x ø3.5x16 mm p38 | 3x ø3x12 mm p54 | 22x ø15x12 mm #16 r1 | 22x 20/11 r42 |
| 2x 400 mm t33 | 2x 400 mm w5\CL | 2x 400 mm w5\CR | 2x 400 mm w5\DL | 2x 400 mm w5\DR | 5x ø16 s2 | 1x z1 | | |

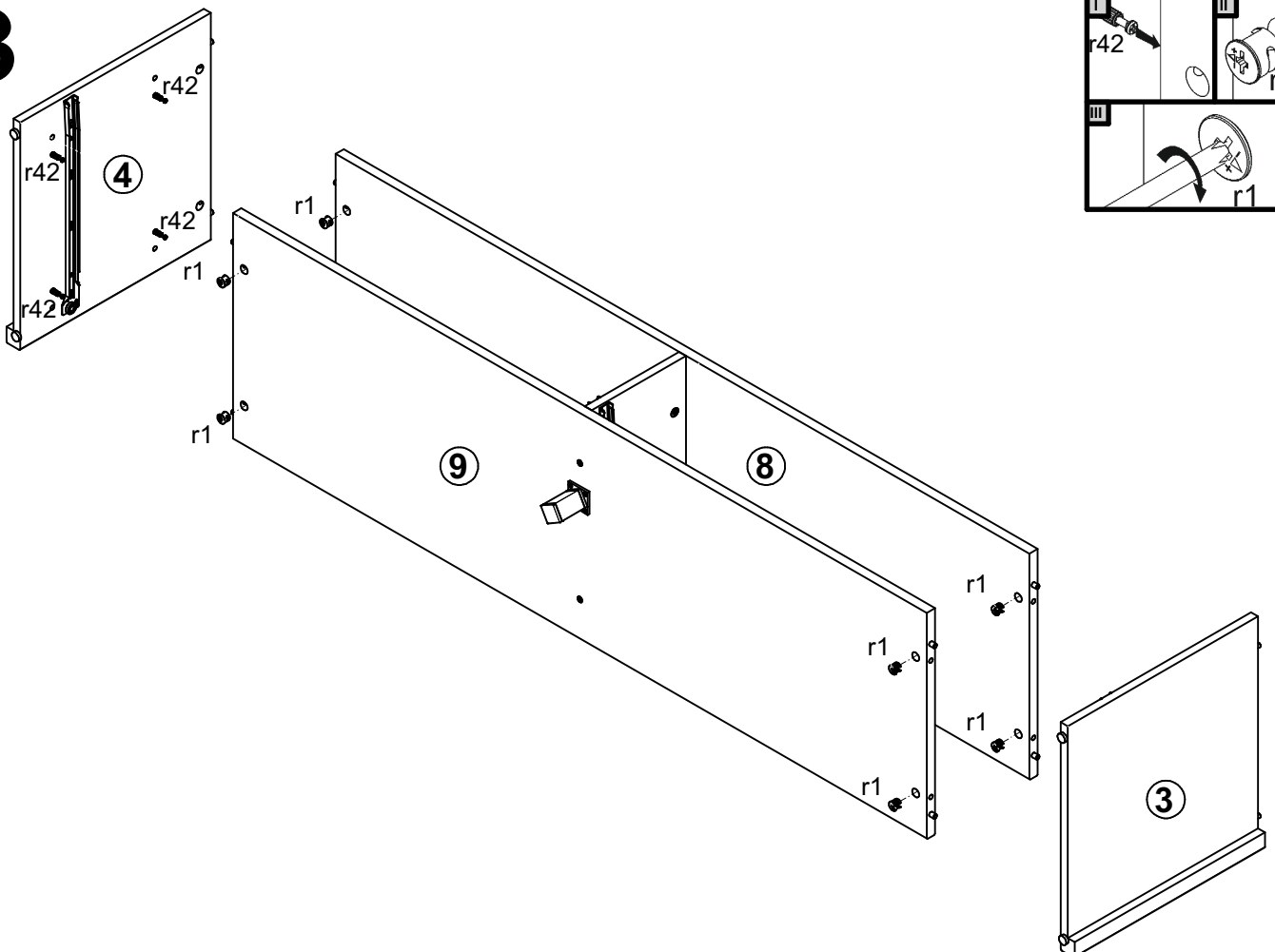
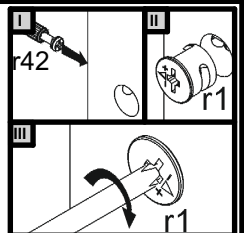
1



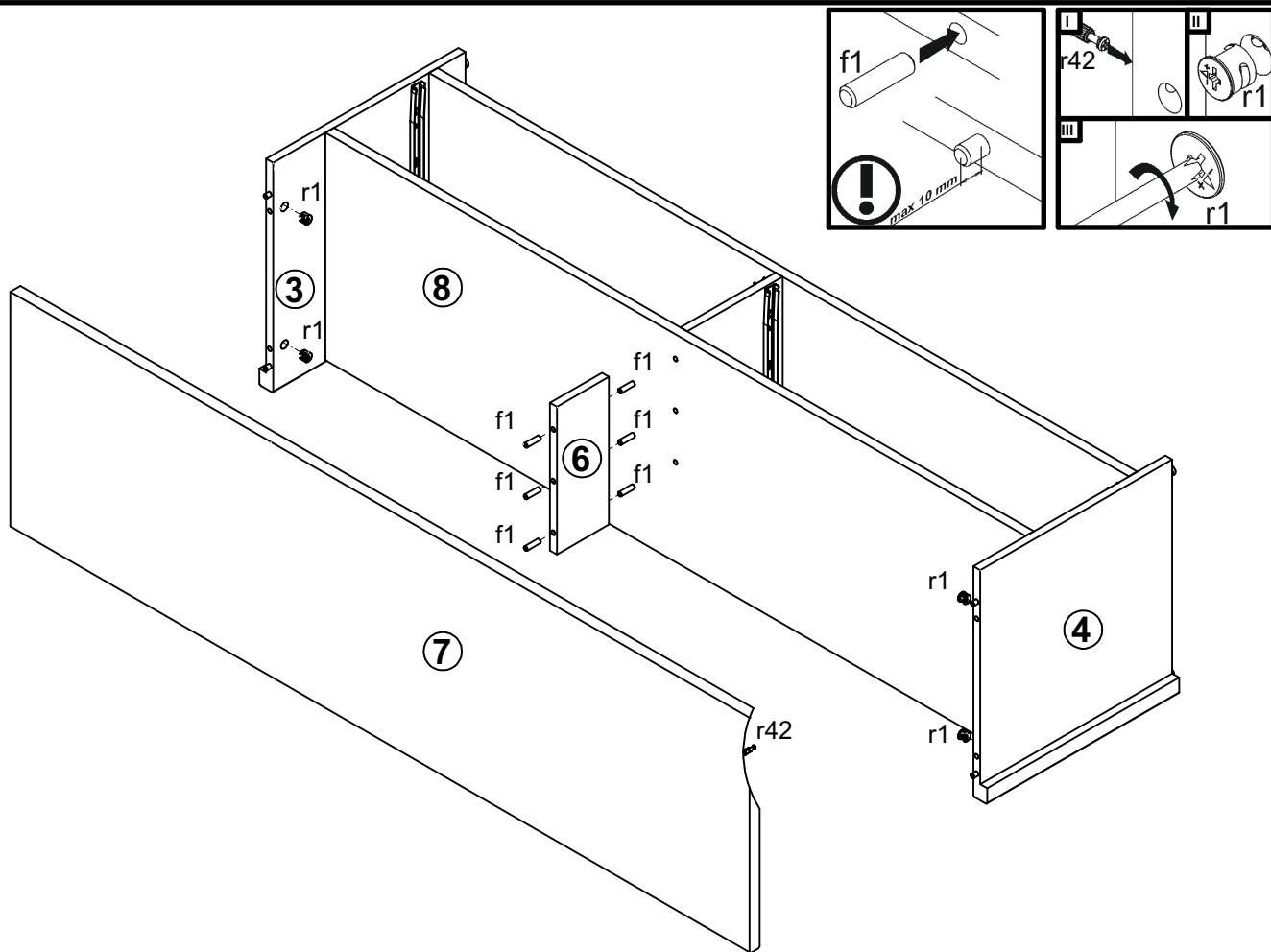
2



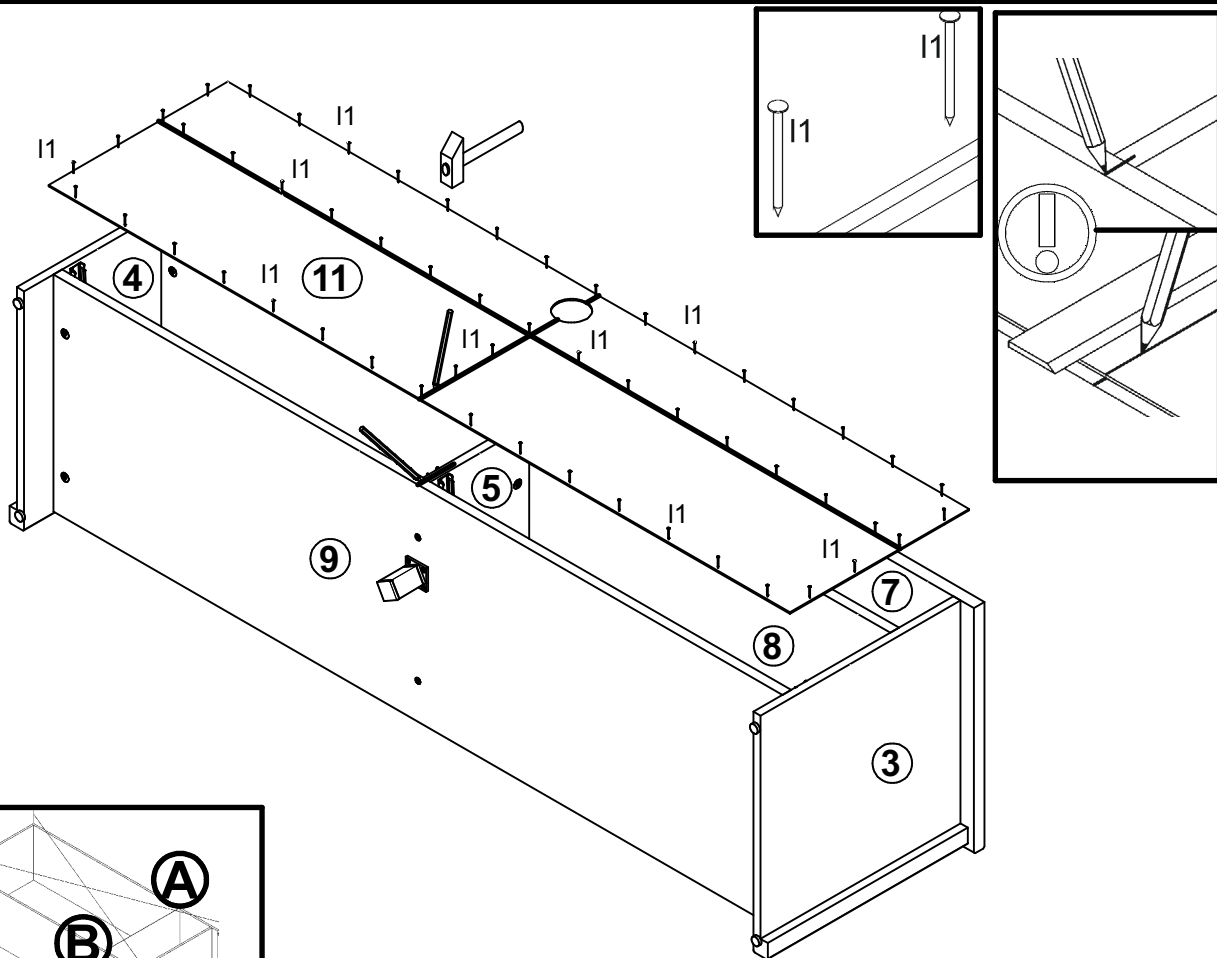
3



4



5



A=B

