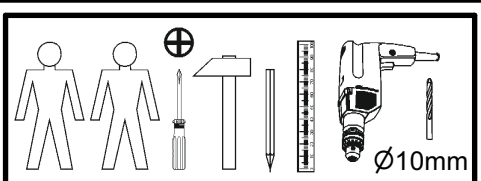
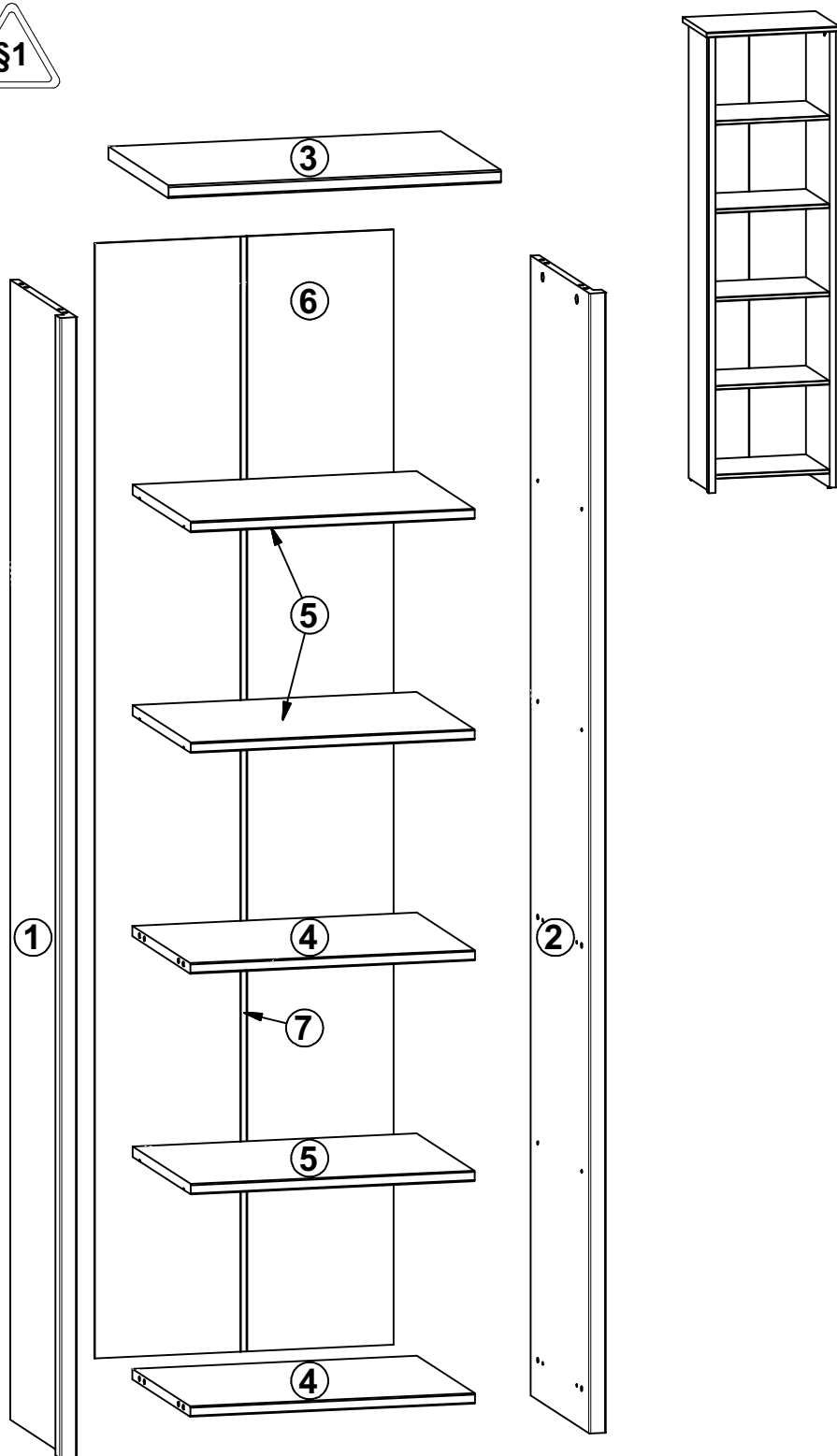









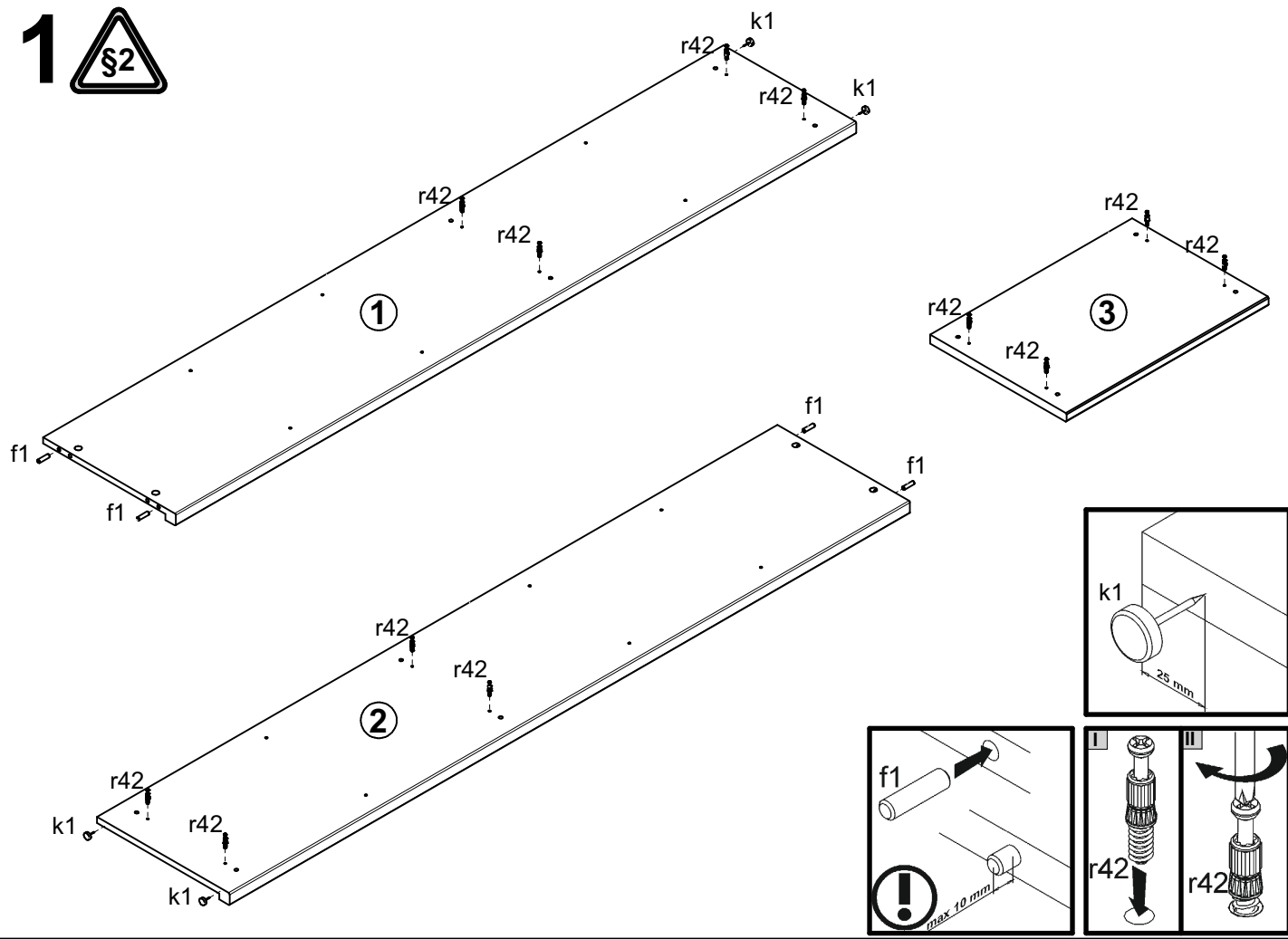


A	B	C		D
1	S322-1136	1968	384	1/2
2	S322-1137	1968	384	1/2
3	S322-2204	584	395	2/2
4	S322-3304	500	381	2/2
5	S322-3320	499	381	2/2
6	S322-9910	1925	263	1/2
7	Lh-1885	1885	14	1/2

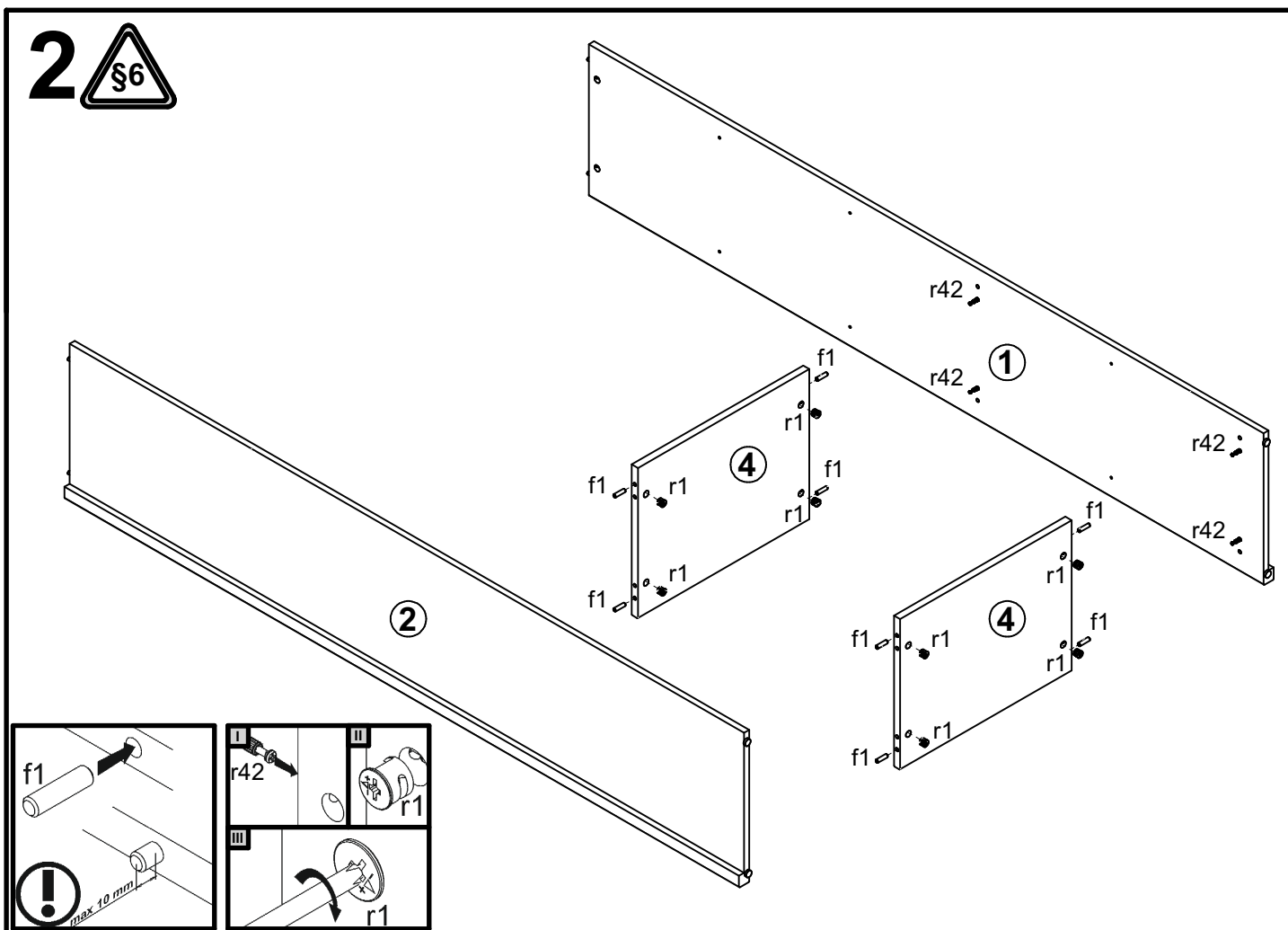


- 12x  **d1**
Ø5x17 mm
- 12x  **f1**
Ø8x30 mm
- 4x  **k1**
- 50x  **l1**
- 12x  **r1**
Ø15x12 mm #16
- 12x  **r42**
20/11
- 4x  **s2**
Ø16
- 1x  **n26/1**
- 1x  **p38**
Ø3.5x16 mm

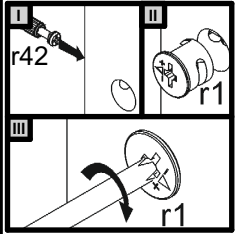
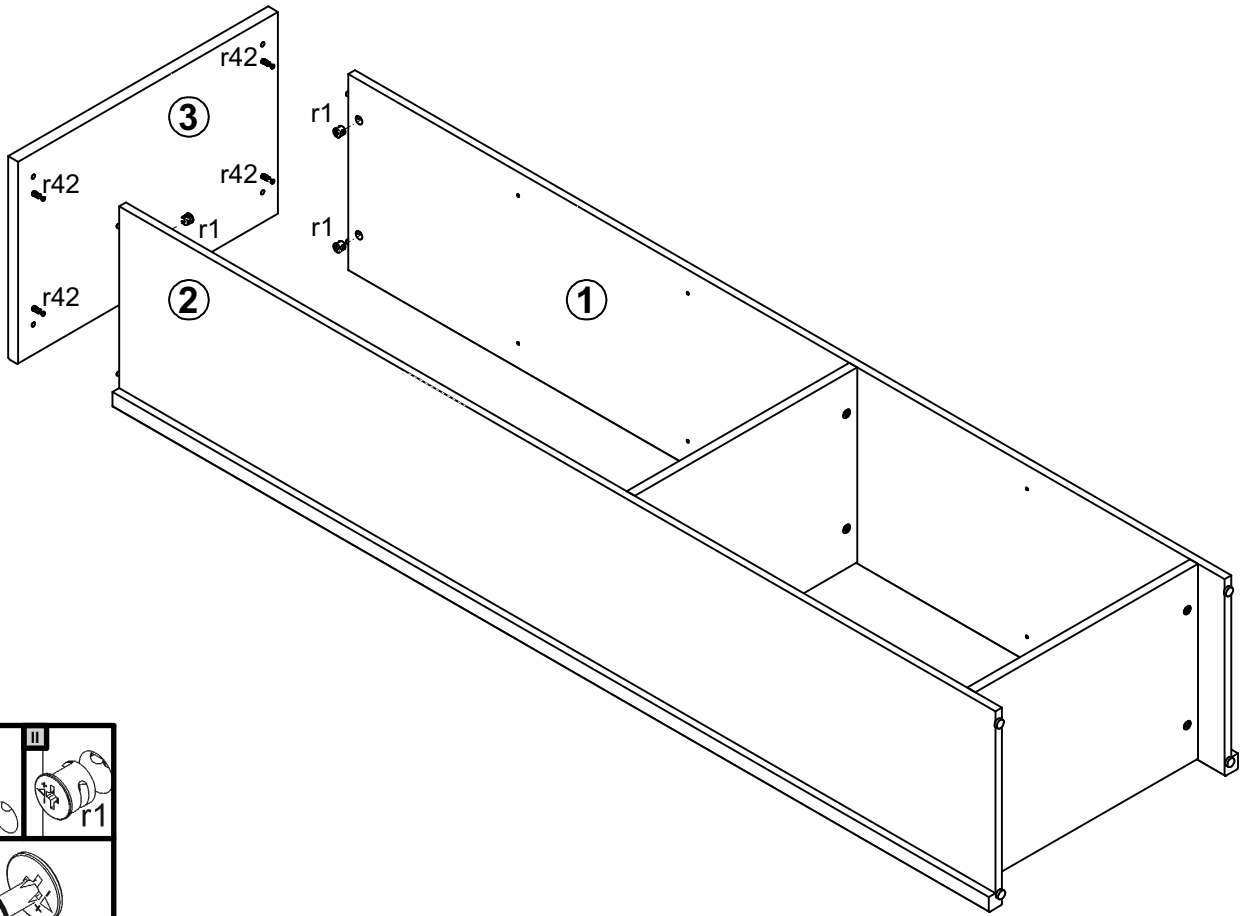
1



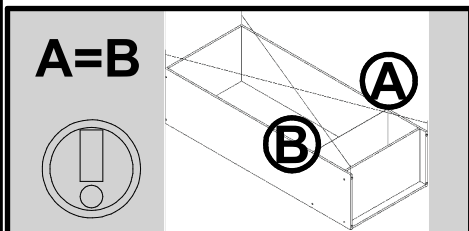
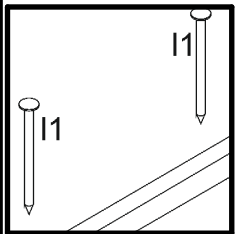
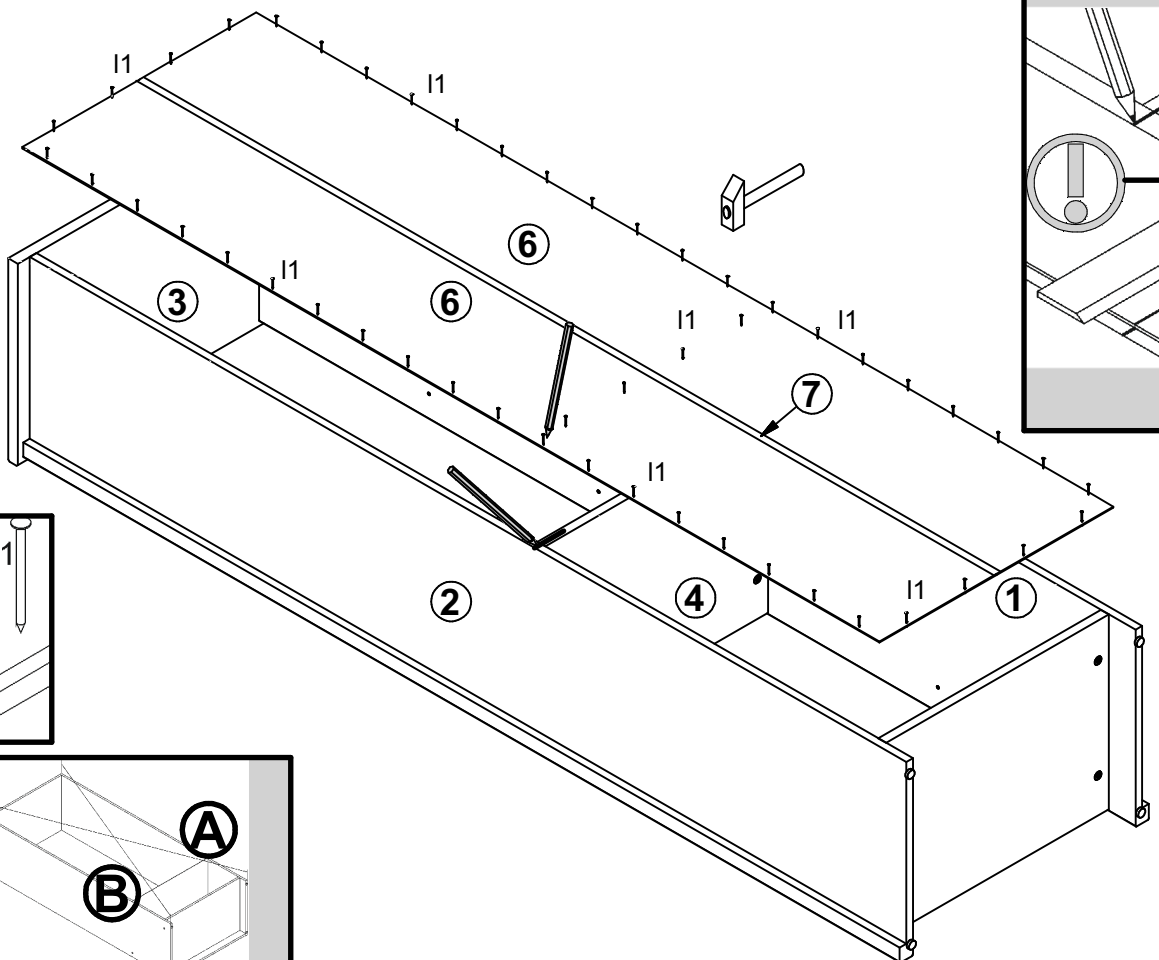
2



3



4



5

