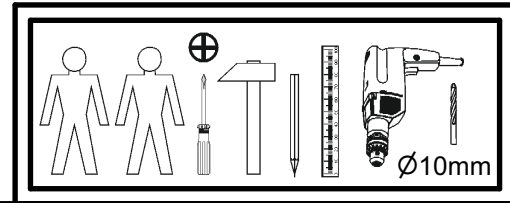
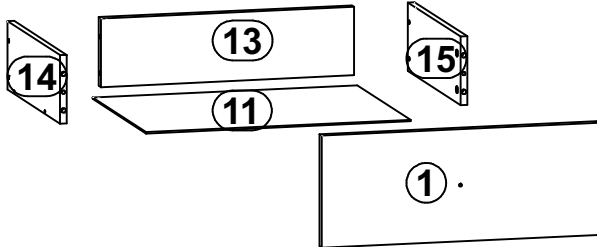
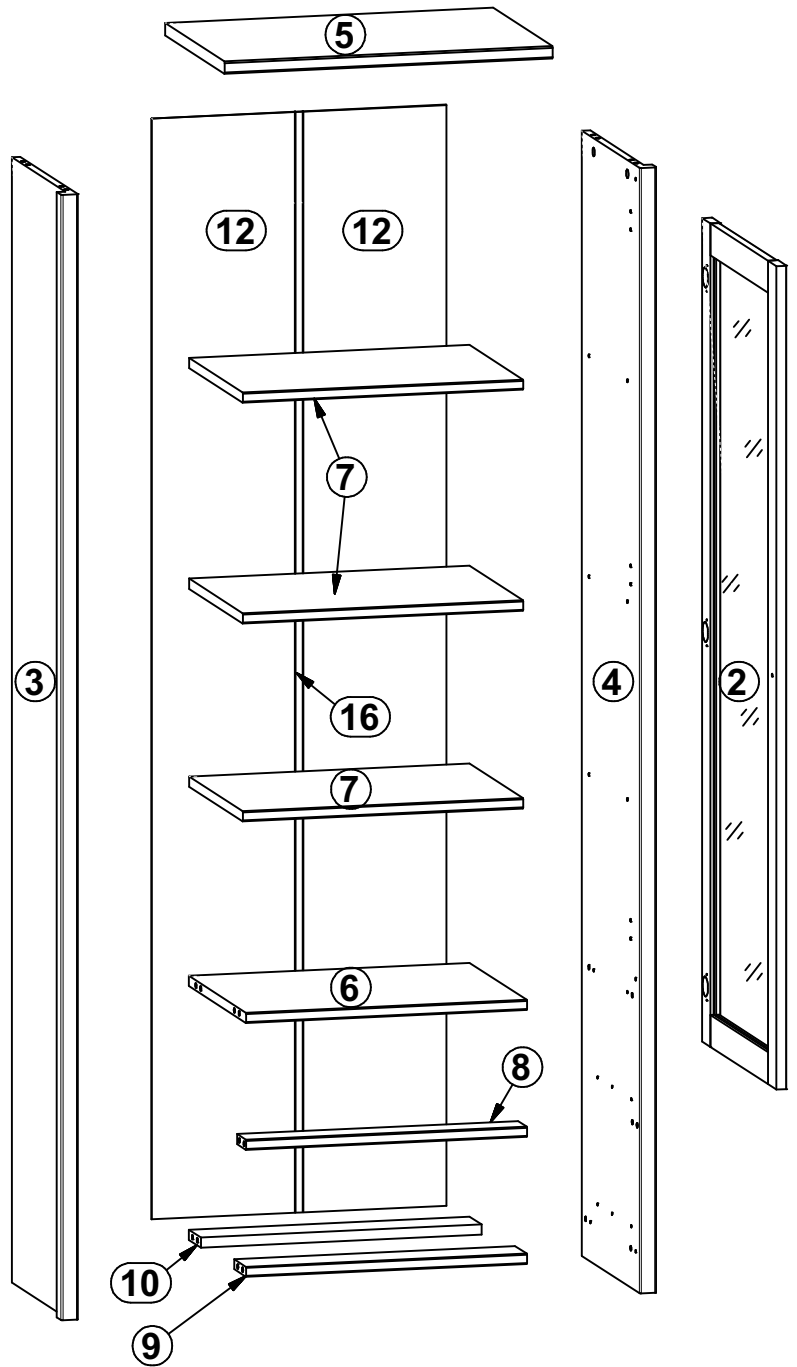
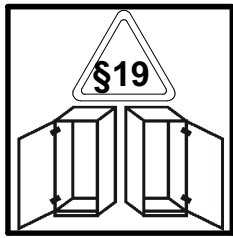
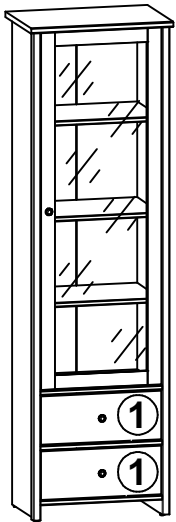
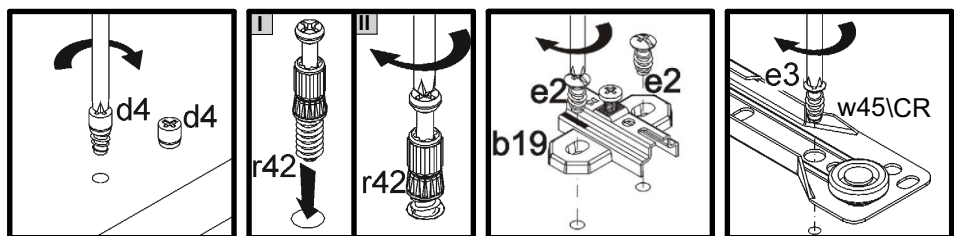
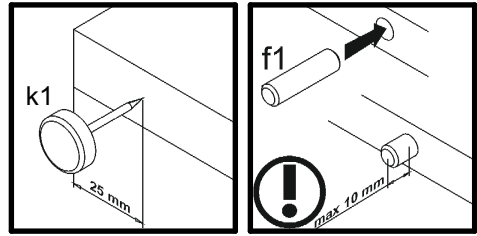
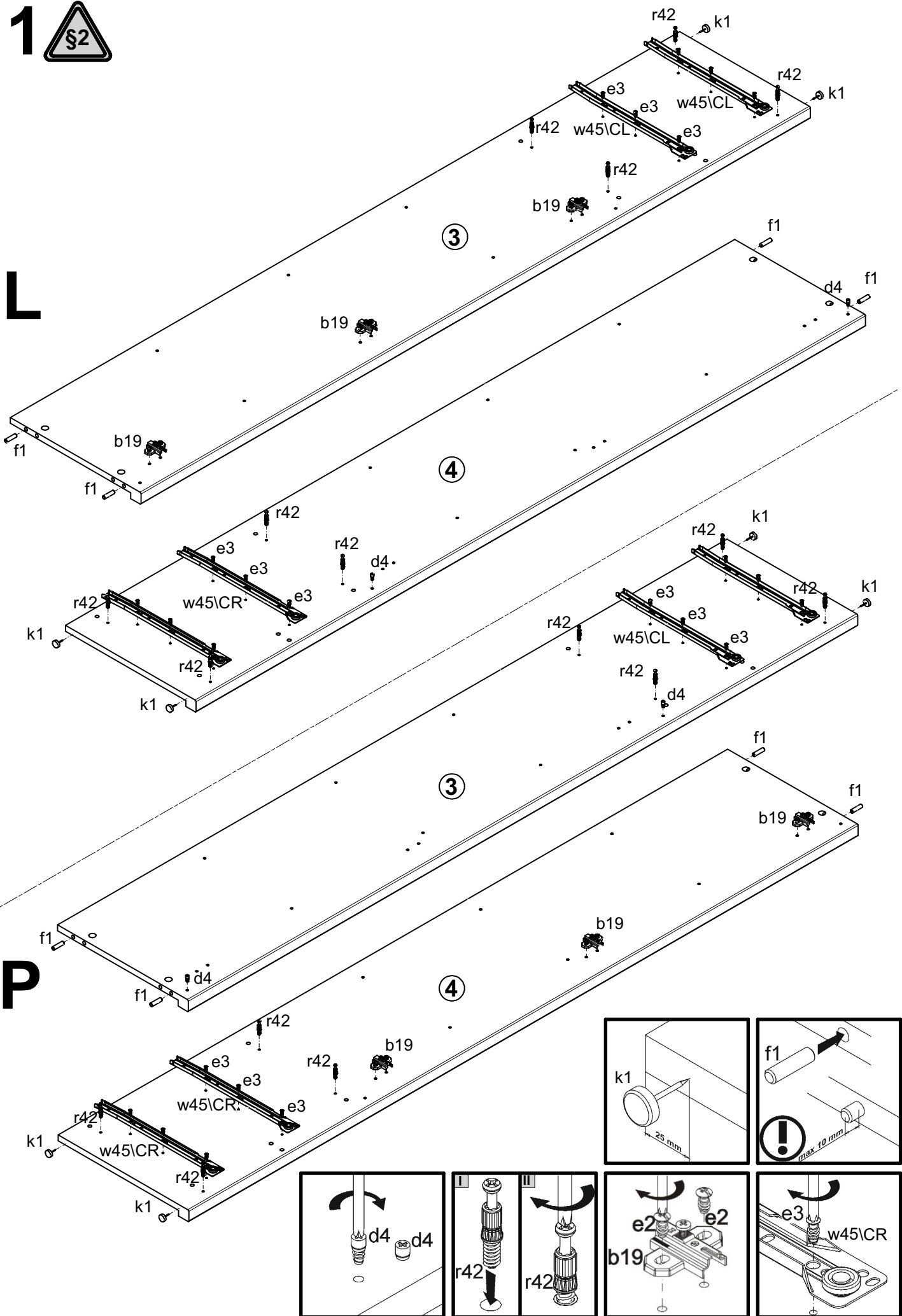


| A  | B          | C    | D       |
|----|------------|------|---------|
| 1  | S322-0007  | 494  | 196 3/4 |
| 2  | S322-0008A | 1440 | 494 4/4 |
| 3  | S322-1109  | 1968 | 384 1/4 |
| 4  | S322-1110  | 1968 | 384 1/4 |
| 5  | S322-2204  | 584  | 395 2/4 |
| 6  | S322-3304  | 500  | 381 2/4 |
| 7  | S322-3305A | 499  | 352 2/4 |
| 8  | S322-4405  | 500  | 60 2/4  |
| 9  | S322-4406  | 500  | 80 2/4  |
| 10 | S322-4407  | 500  | 80 2/4  |
| 11 | S322-9909  | 471  | 355 2/4 |
| 12 | S322-9910  | 1925 | 263 1/4 |
| 13 | ZB-5507    | 451  | 120 2/4 |
| 14 | BB-501     | 350  | 120 2/4 |
| 15 | BB-502     | 350  | 120 2/4 |
| 16 | Lh-1885    | 1885 | 14 1/4  |

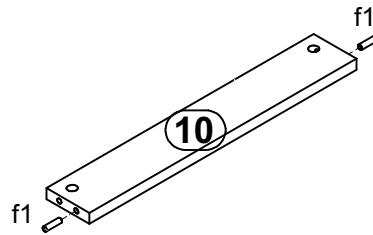
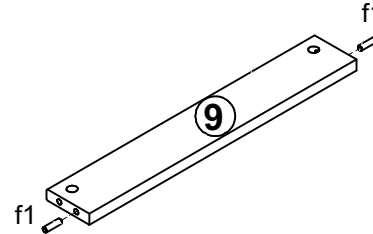
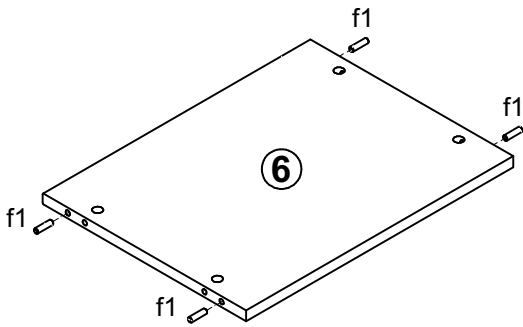
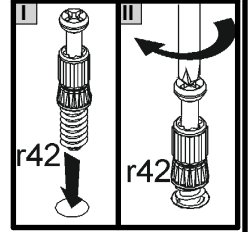
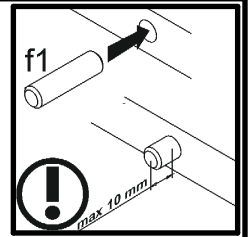
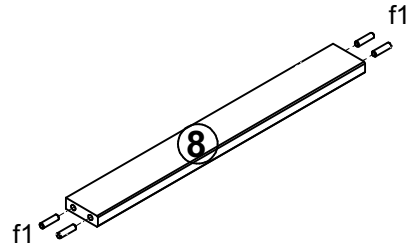
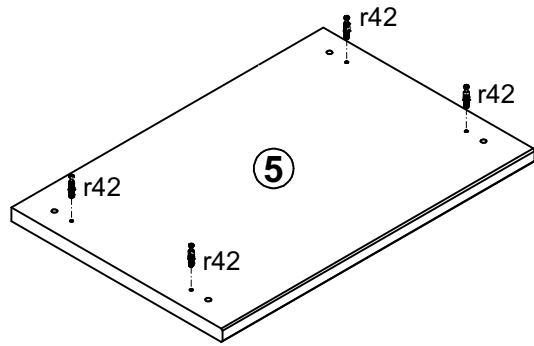


|              |              |              |           |             |           |           |            |              |
|--------------|--------------|--------------|-----------|-------------|-----------|-----------|------------|--------------|
| 3x<br>a43    | 6x<br>b19    | 3x<br>c415   | 12x<br>d1 | 2x<br>d4    | 12x<br>e3 | 8x<br>e19 | 20x<br>f1  | 8x<br>f25    |
| 2x<br>j1     | 1x<br>j30    | 4x<br>k1     | 60x<br>l1 | 8x<br>p38   | 6x<br>p51 | 20x<br>r1 | 20x<br>r42 | 2x<br>w45\CL |
| 2x<br>w45\CR | 2x<br>w45\DL | 2x<br>w45\DR | 4x<br>s2  | 1x<br>n26\1 | 1x<br>p38 |           |            |              |

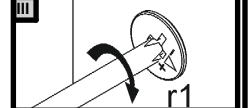
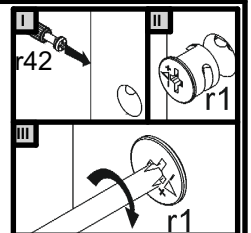
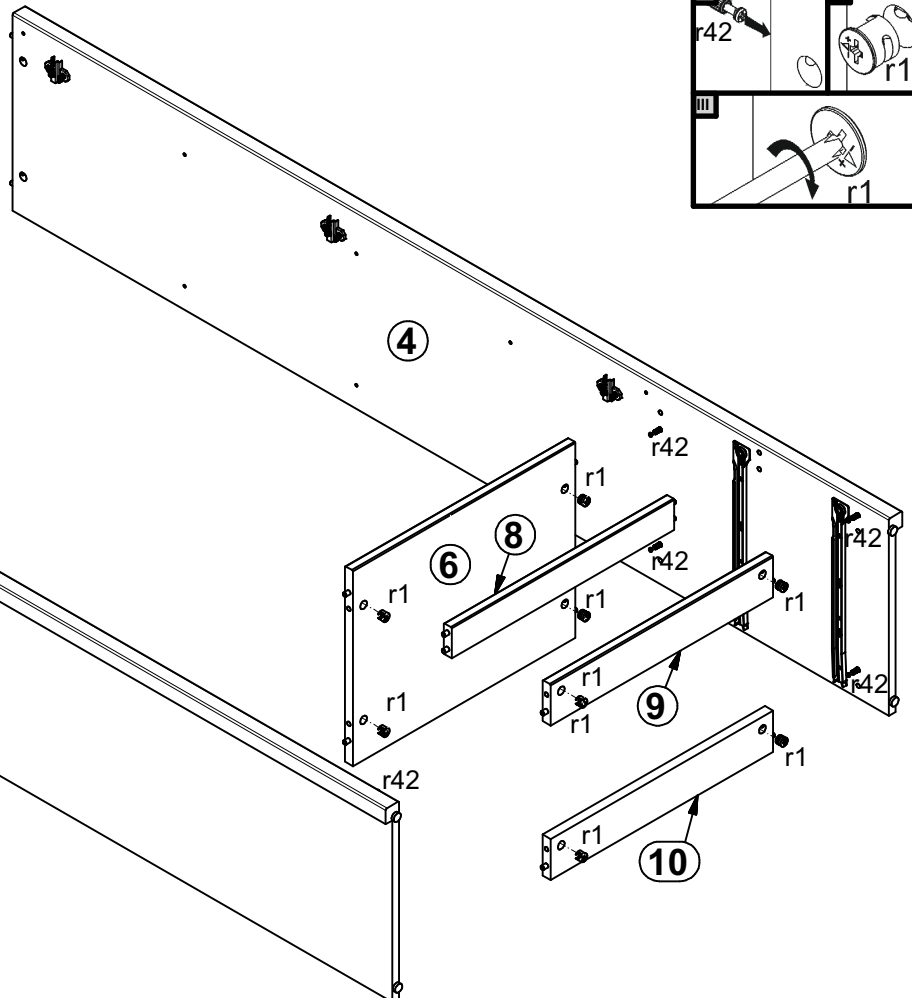
1 

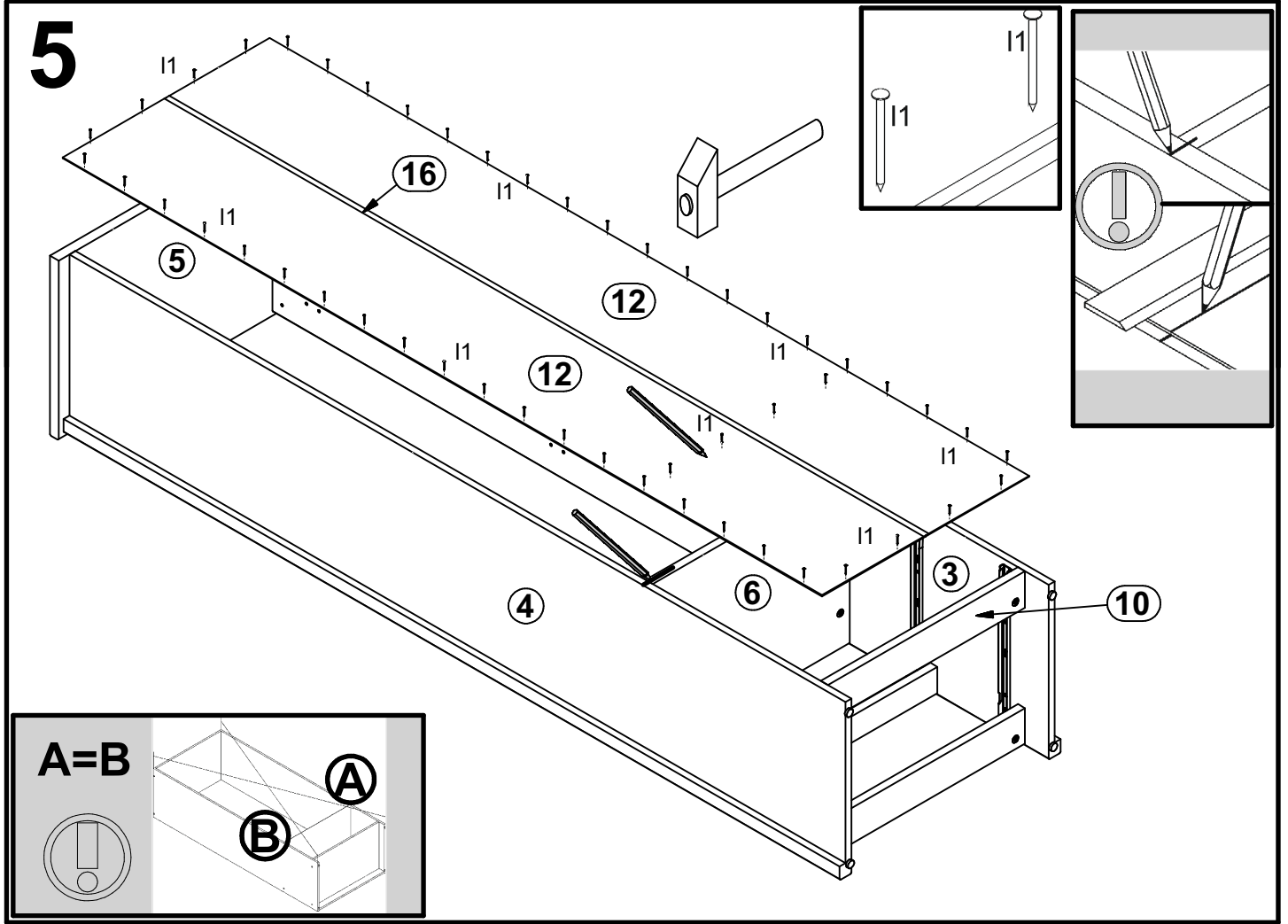
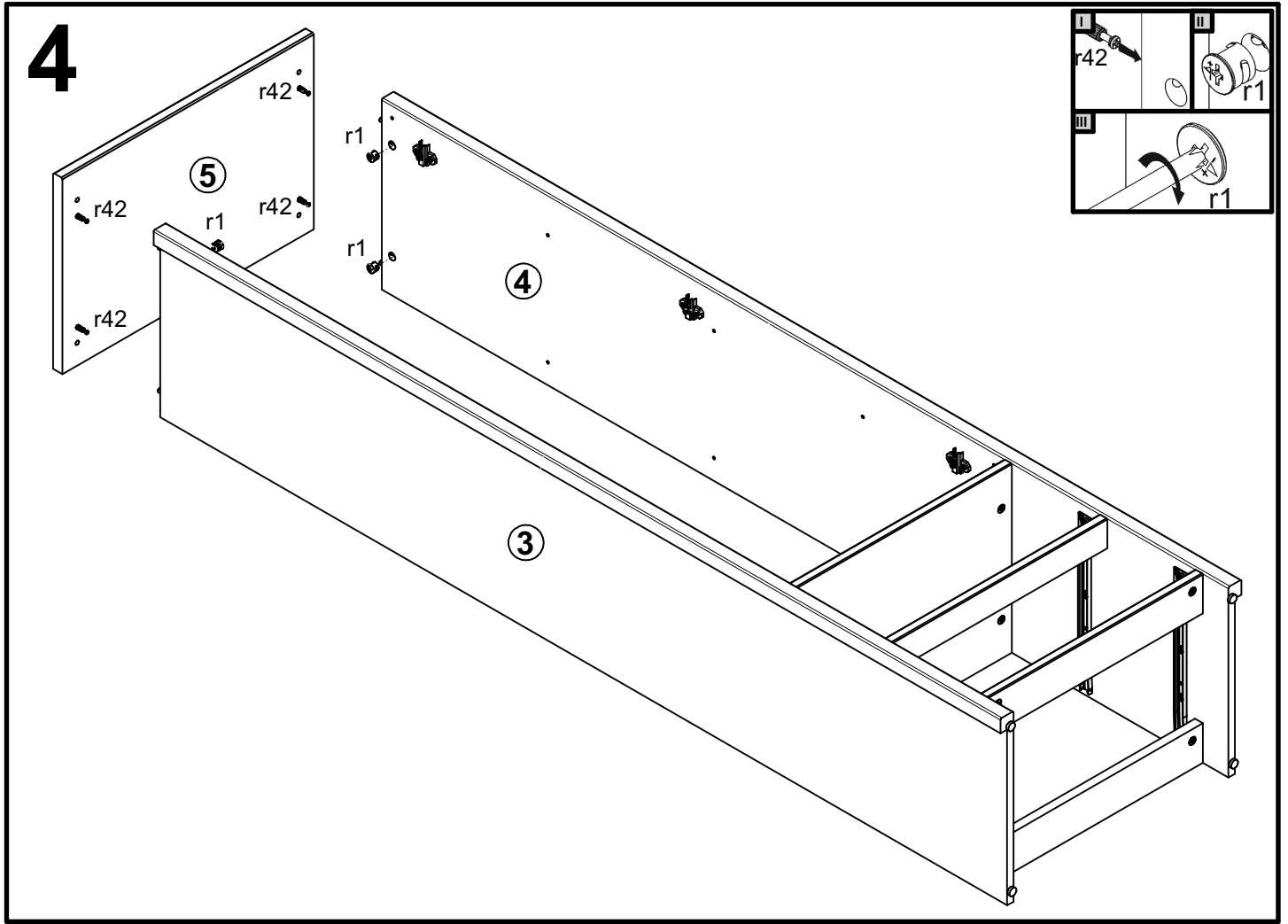


# 2

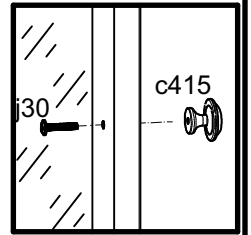
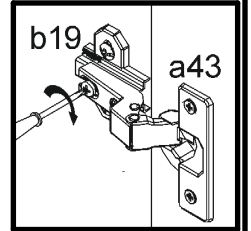
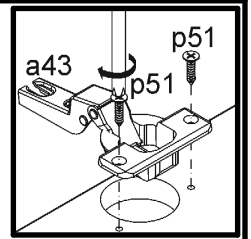
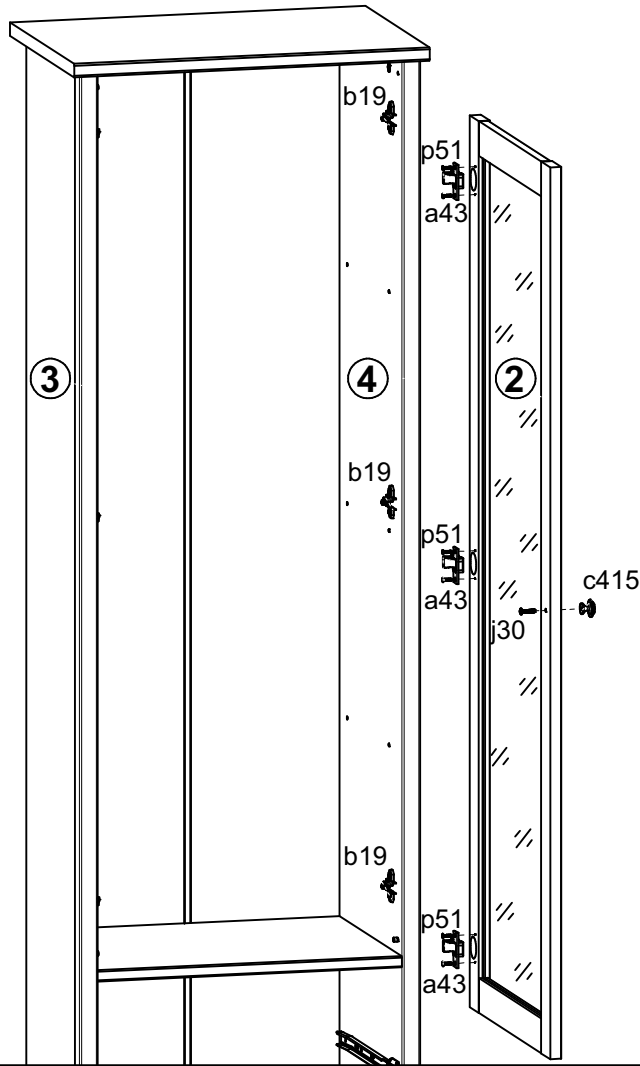


# 3

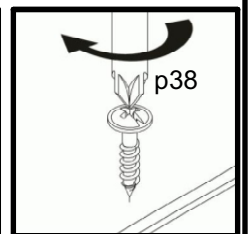
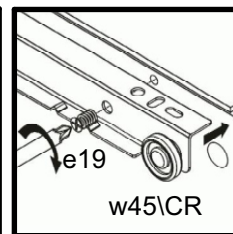
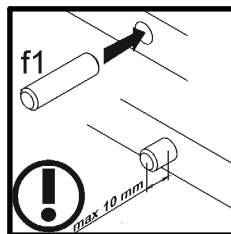
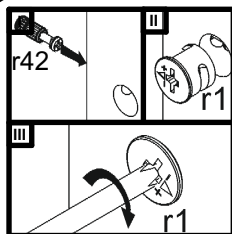
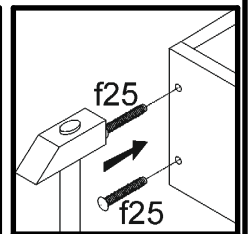
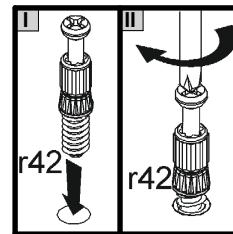
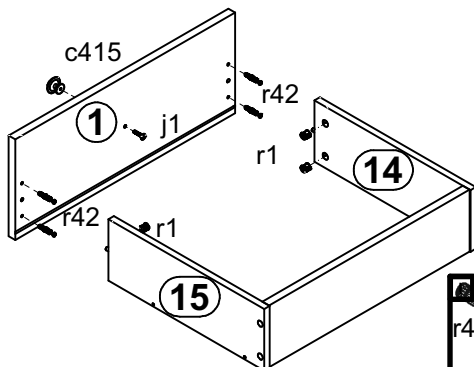
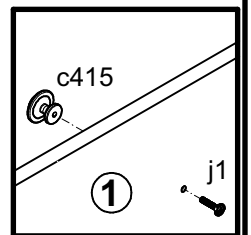
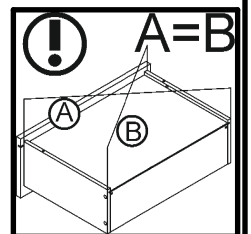
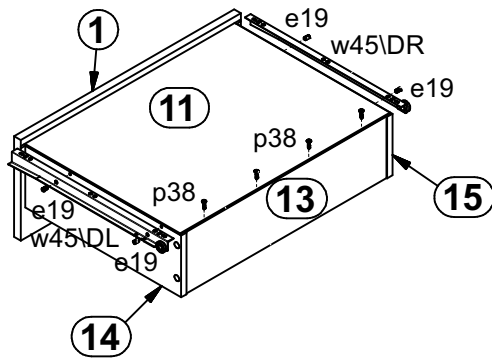
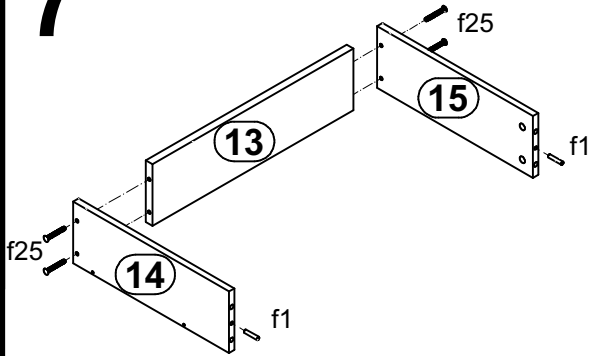




# 6



# 7



8

