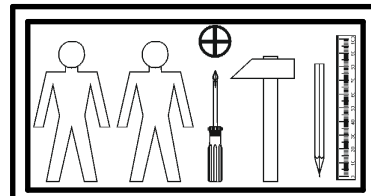
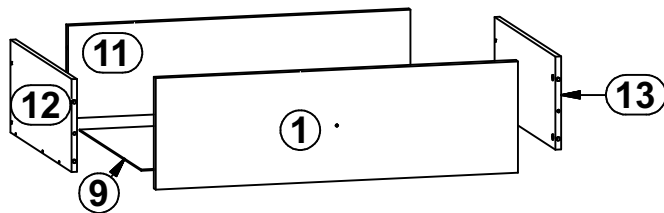
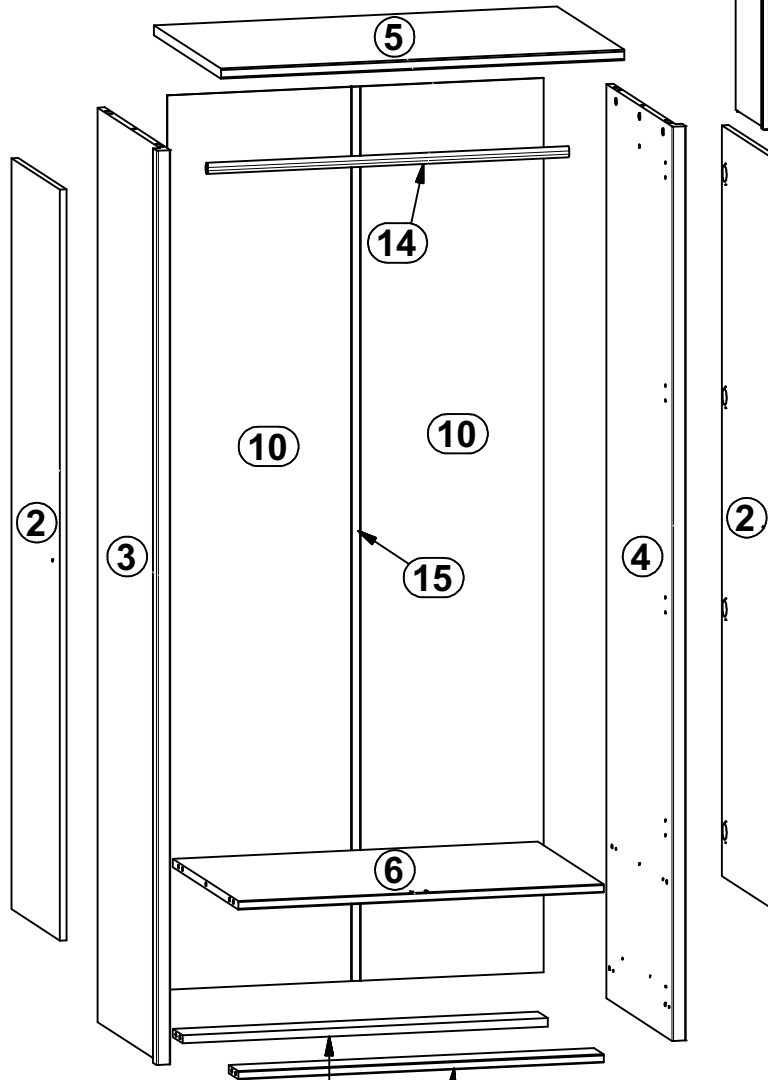
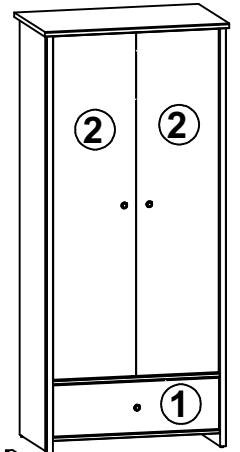
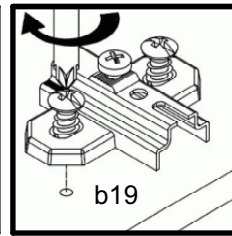
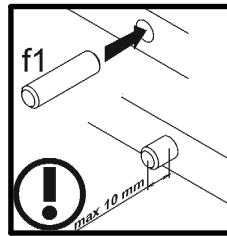
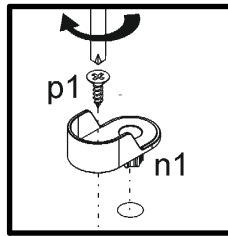
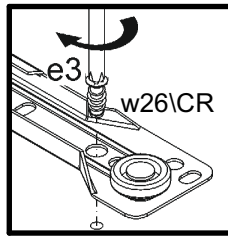
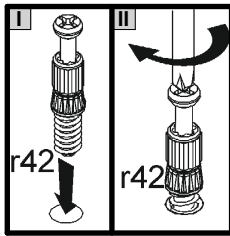
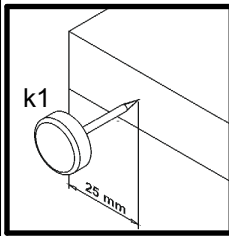
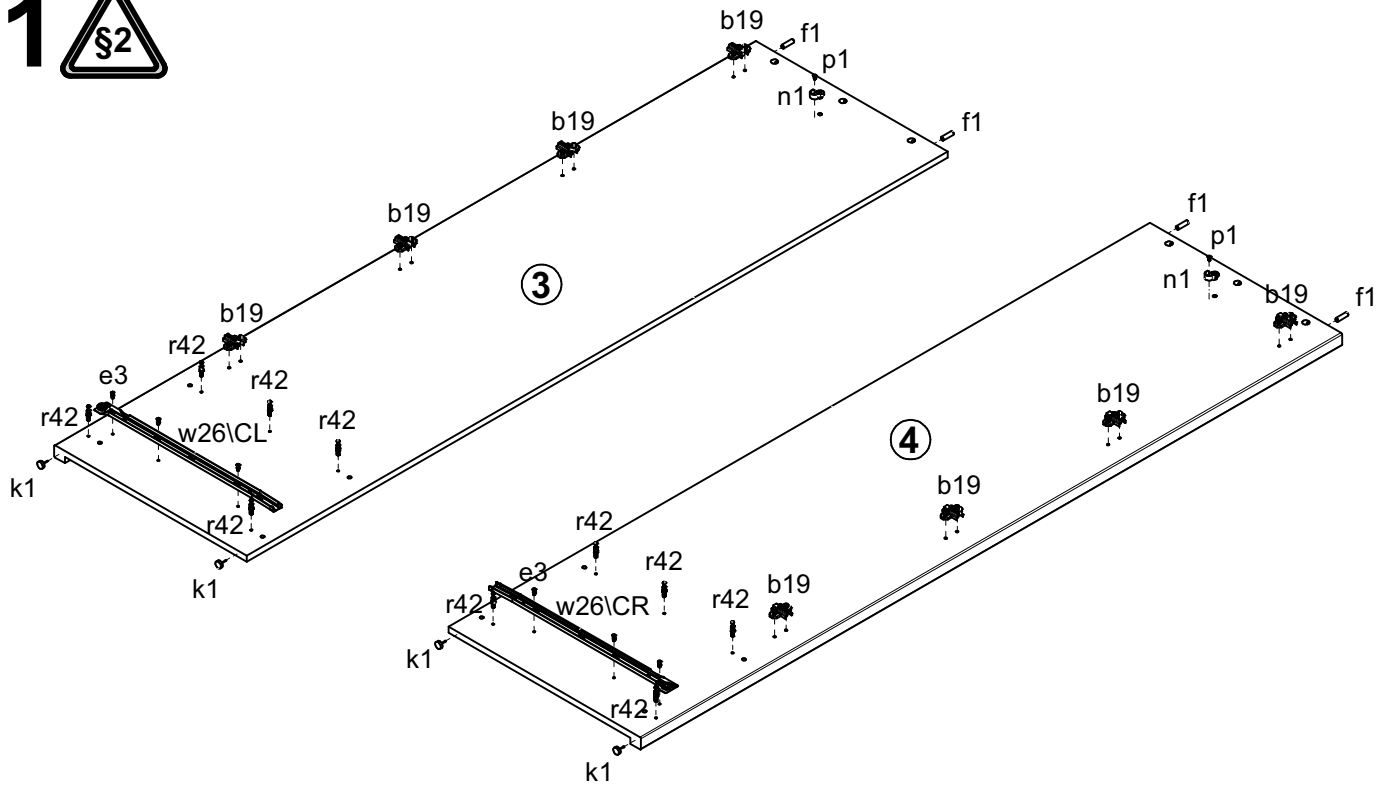


A	B	C		D
1	S322-0003	794	240	4/4
2	S322-0004	1616	396	3/4
3	S322-1103	1968	540	1/4
4	S322-1104	1968	540	1/4
5	S322-2202	884	551	2/4
6	S322-3301	800	537	2/4
7	S322-4402	800	80	2/4
8	S322-4403	800	80	2/4
9	S322-9904	772	505	2/4
10	S322-9905	1925	413	1/4
11	ZB-5510	743	200	2/4
12	BB-505	500	200	2/4
13	BB-506	500	200	2/4
14	dr-792	792	22	2/4
15	S322-9905	1885	14	1/4

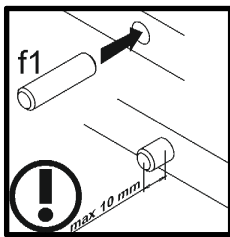
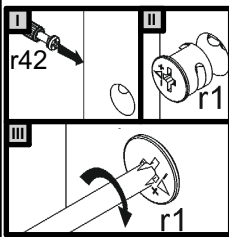
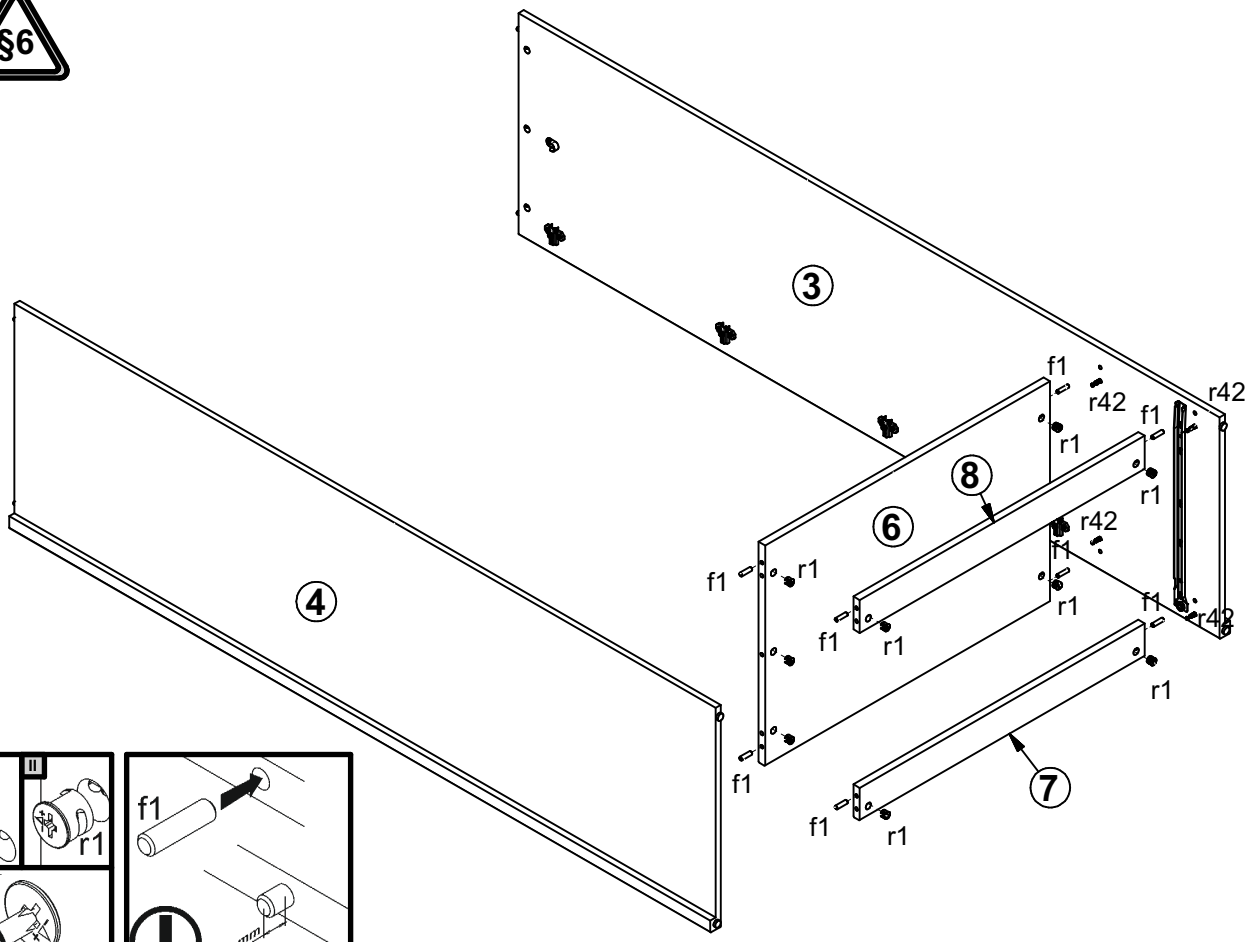


8x K16 a43	8x b19	3x M4 c415	4x d4 ∅6,3x15 mm	6x e3 ∅6x13 mm	6x e19 ∅5x9 mm	14x f1 ∅8x30 mm	4x f25 ∅6,5x40 mm	3x j1 M4x20 mm
4x k1	65x l1	2x h=22mm n1	1x n26	2x p1 ∅3,5x13 mm	1x p25 ∅3,5x16 mm	1x p35 ∅3,5x10 mm	7x p38 ∅3,5x16 mm	16x p51 ∅3,5x15 mm
20x r1 ∅15x12 mm #16	20x r42 20/11	6x s2 ∅16	1x t34 500 mm	1x w26\CL 500 mm	1x w26\CR 500 mm	1x w26\DL 500 mm	1x w26\DR 500 mm	

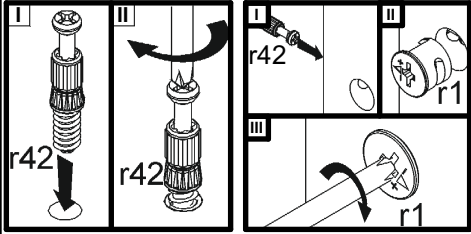
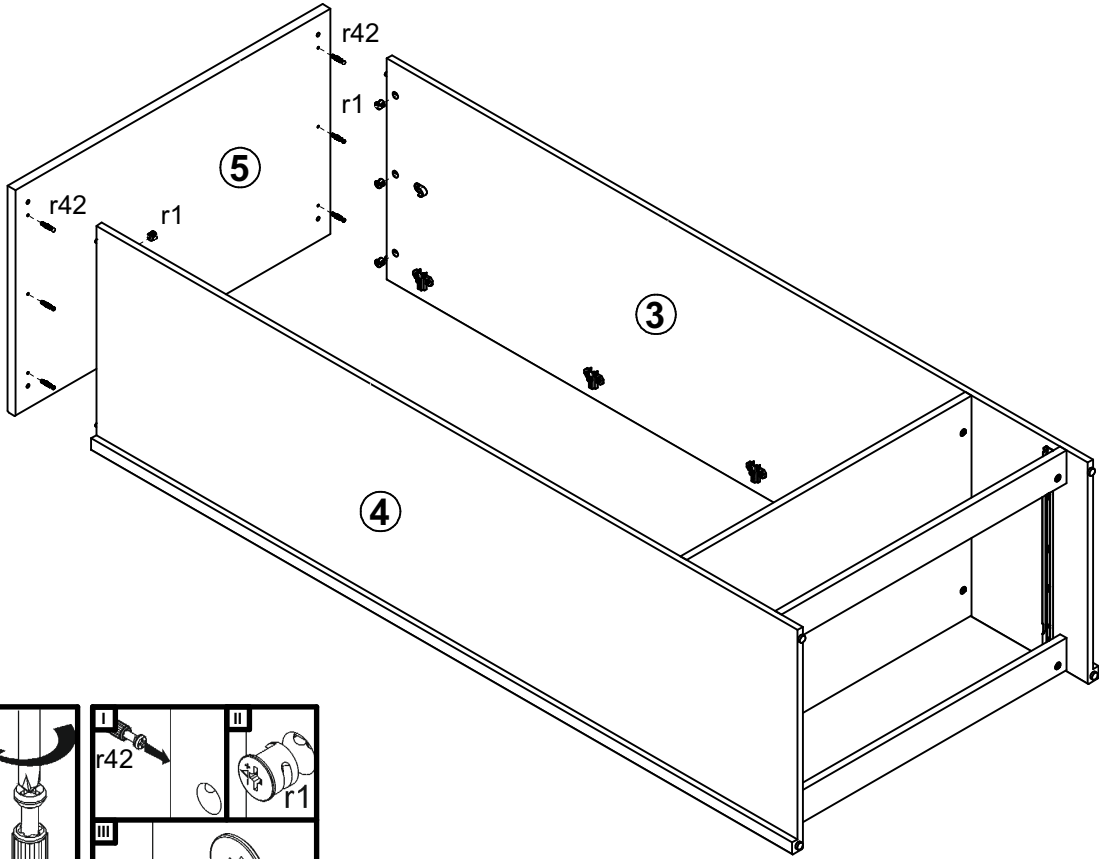
# 1



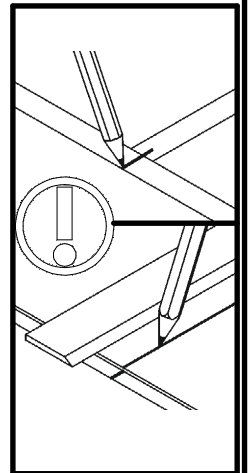
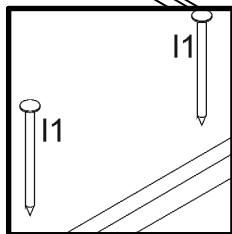
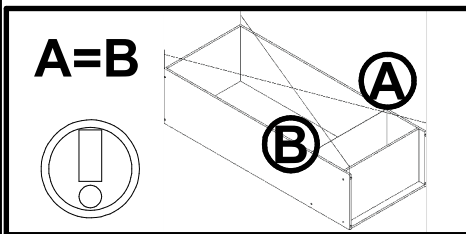
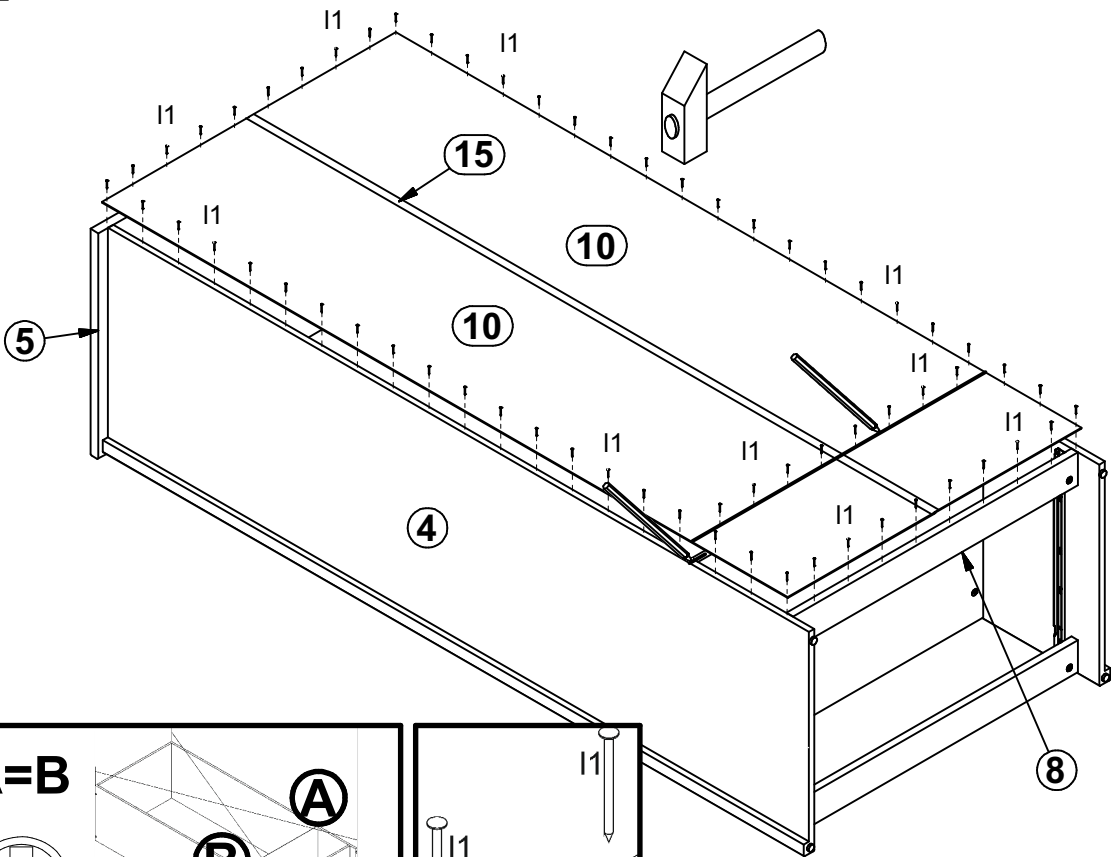
# 2



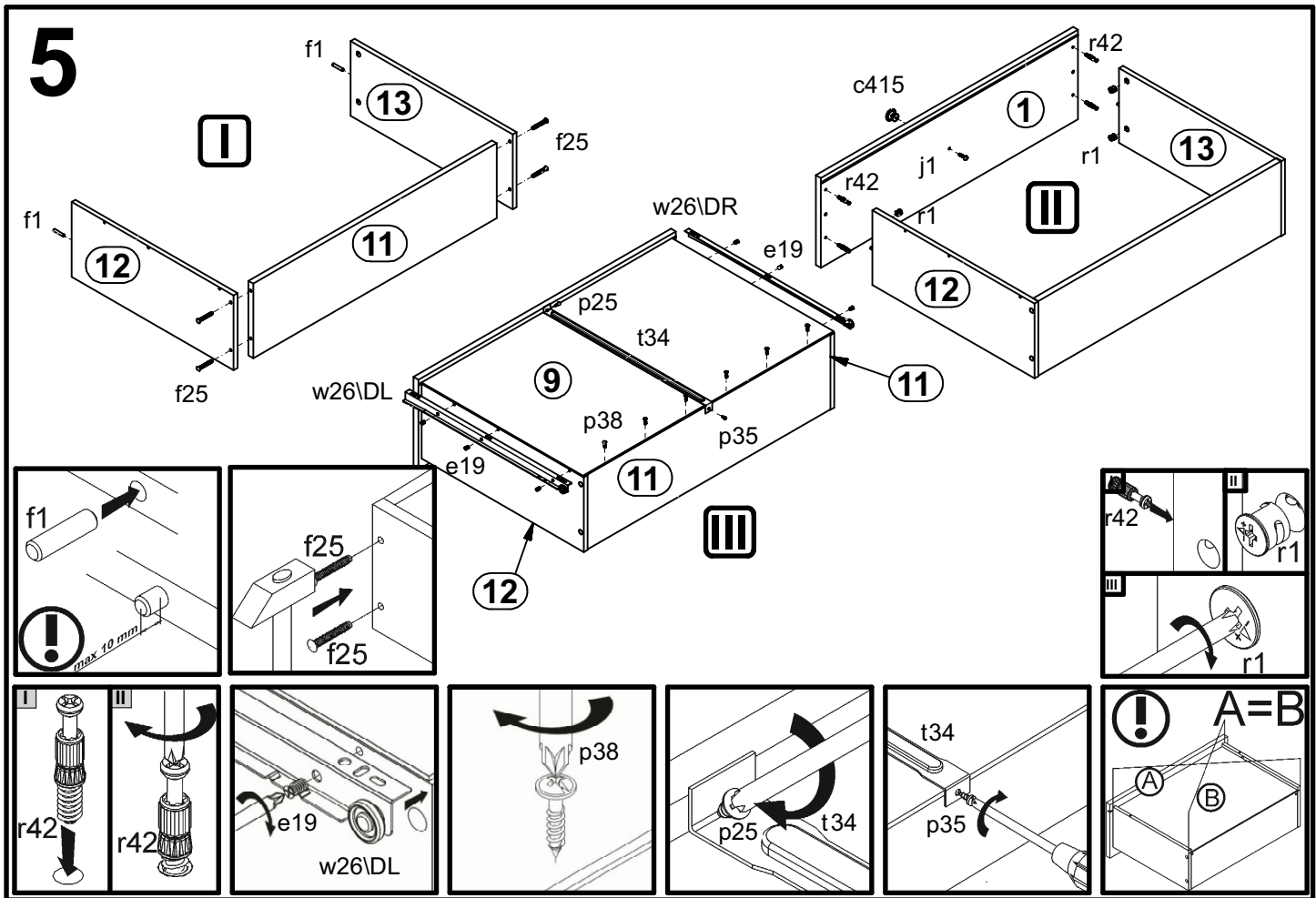
# 3



# 4



# 5



# 6

