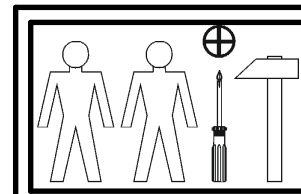
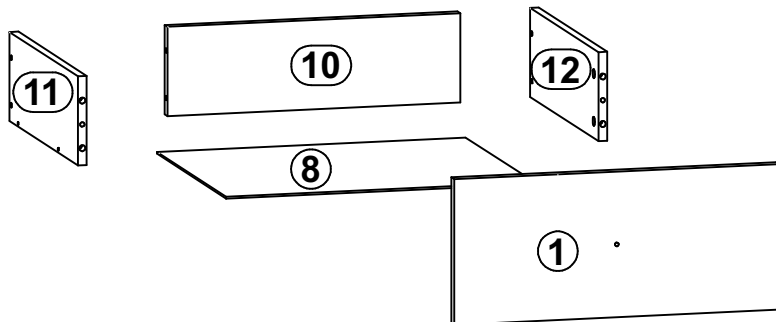
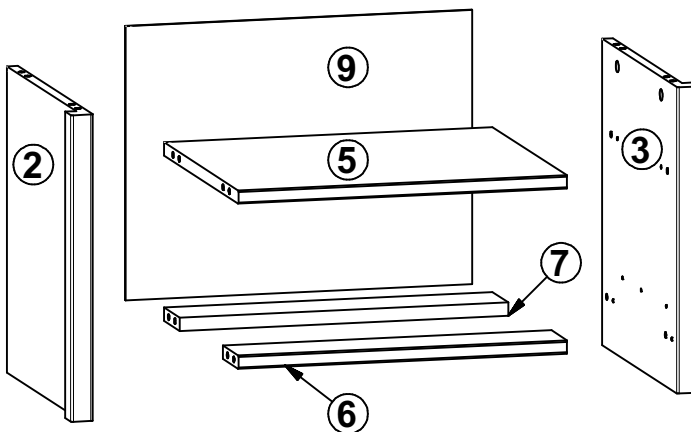
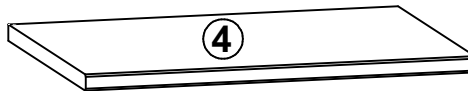
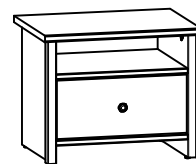


# A

# S322-KOM1S/50

A	B	C	D	
1	S322-0033	444	196	2/2
2	S322-1152	412	384	1/2
3	S322-1153	412	384	1/2
4	S322-2210	534	395	1/2
5	S322-3316	450	381	1/2
6	S322-4429	450	80	1/2
7	S322-4431	450	80	1/2
8	S322-9926	423	355	1/2
9	S322-9943	369	477	1/2
10	ZB-5501	393	120	1/2
11	BB-501	350	120	1/2
12	BB-502	350	120	1/2

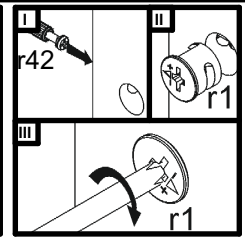
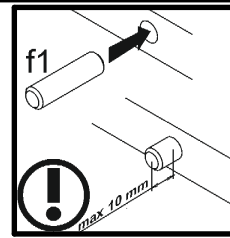
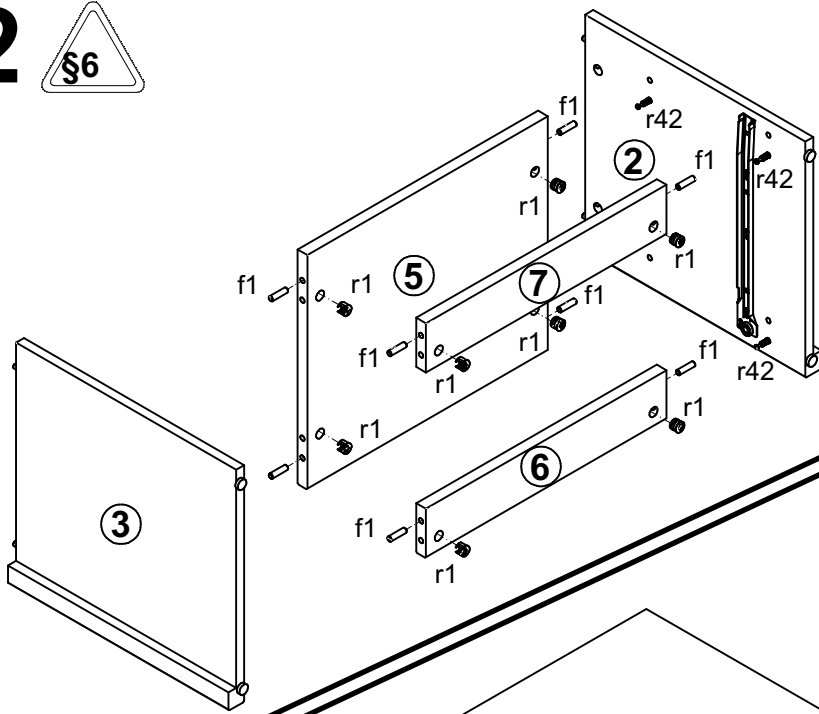


1x M4 c415	6x ∅6x13 mm e3	4x ∅5x9 mm e19	14x ∅6x30 mm f1	4x ∅6.5x40 mm f25	1x M4x20 mm j1	4x k1	25x l1	3x ∅3.5x16 mm p38
16x ∅15x12 mm #16 r1	16x 20/11 r42	1x 350 mm w45\CL	1x 350 mm w45\CR	1x 350 mm w45\DL	1x 350 mm w45\DR	4x ∅16 s2		

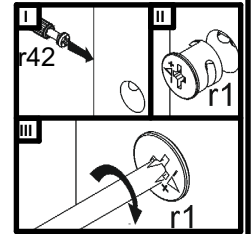
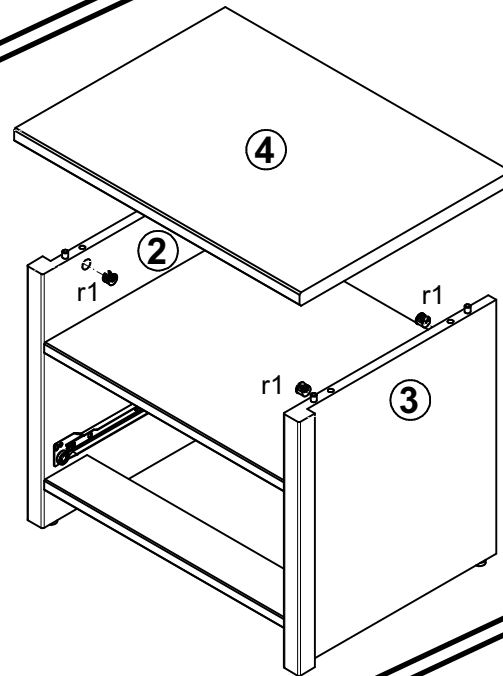
## 1

Diagram 1 shows the assembly of the base and side panels. Part 2 is attached to the base (part 1) using screws f1 and spacers w45\CL. Part 3 is attached to the base using screws f1 and spacers w45\CR. Part 4 is attached to the base using screws r42 and spacers w45\DL. Detailed insets show the correct placement of part k1 (25 mm) and the w45\CR divider (max 10 mm).

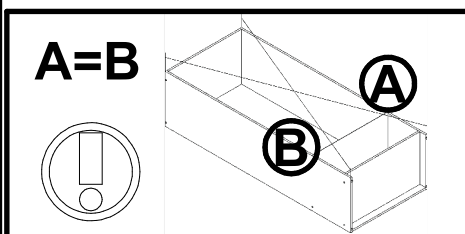
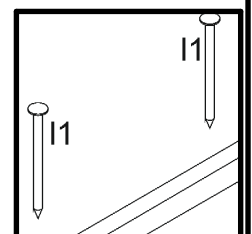
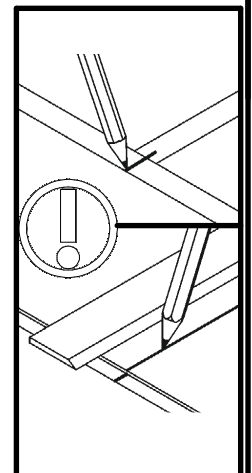
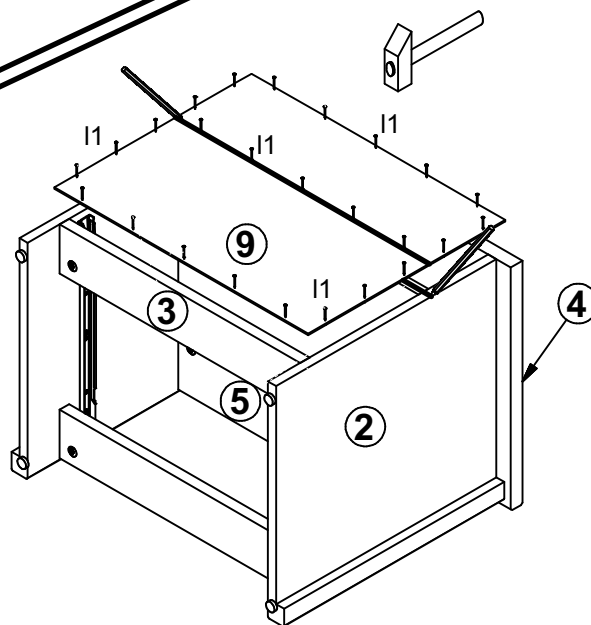
# 2



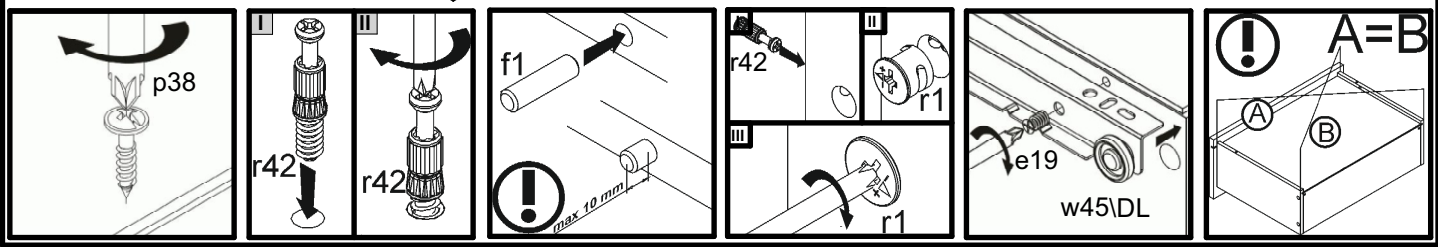
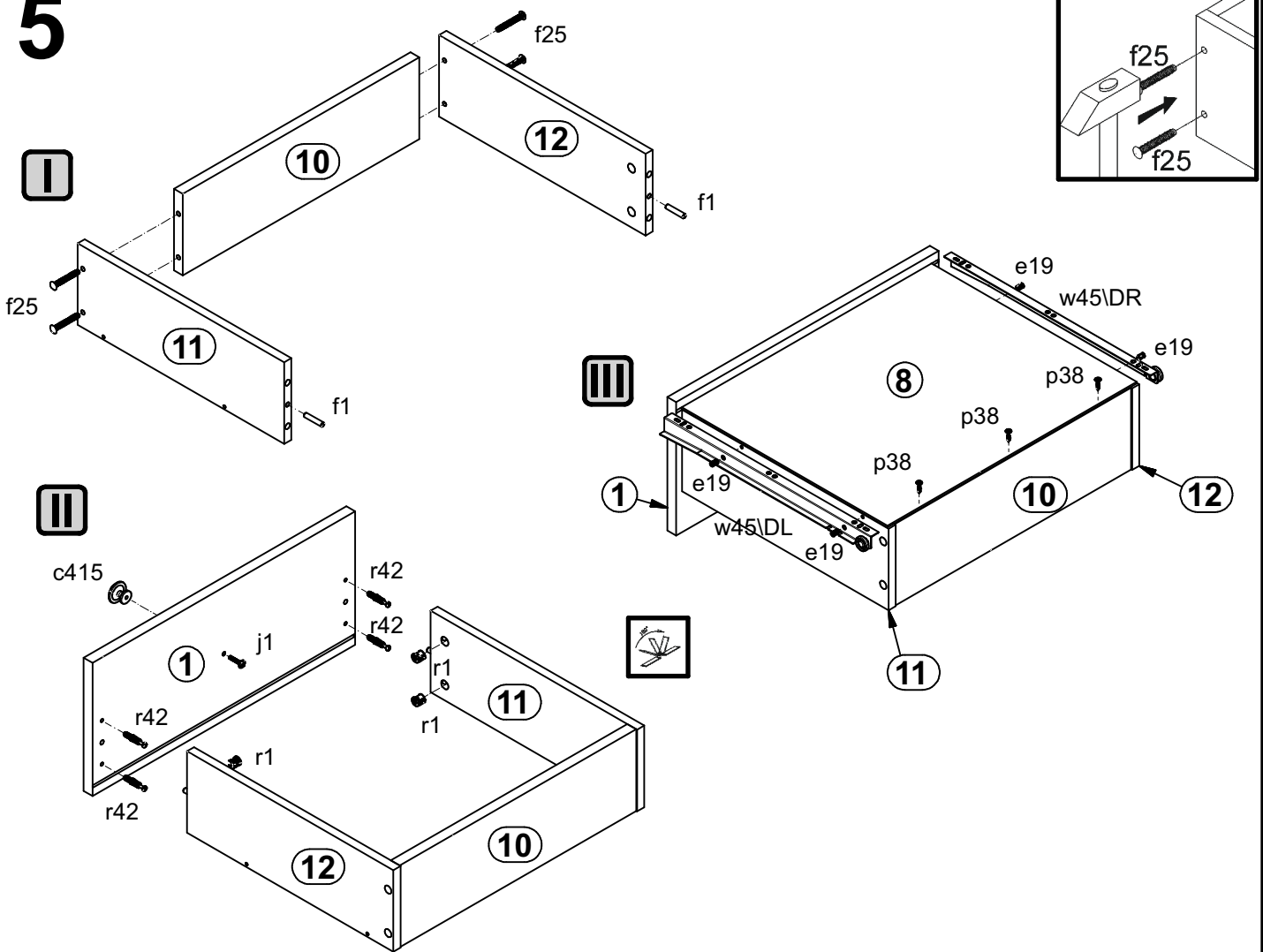
# 3



# 4



# 5



# 6

