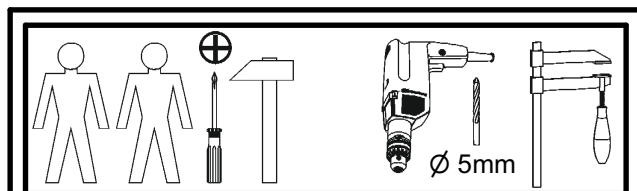
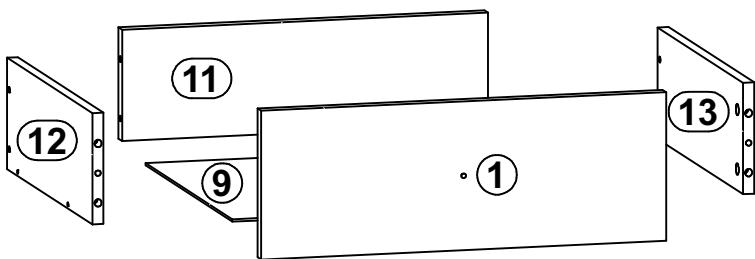
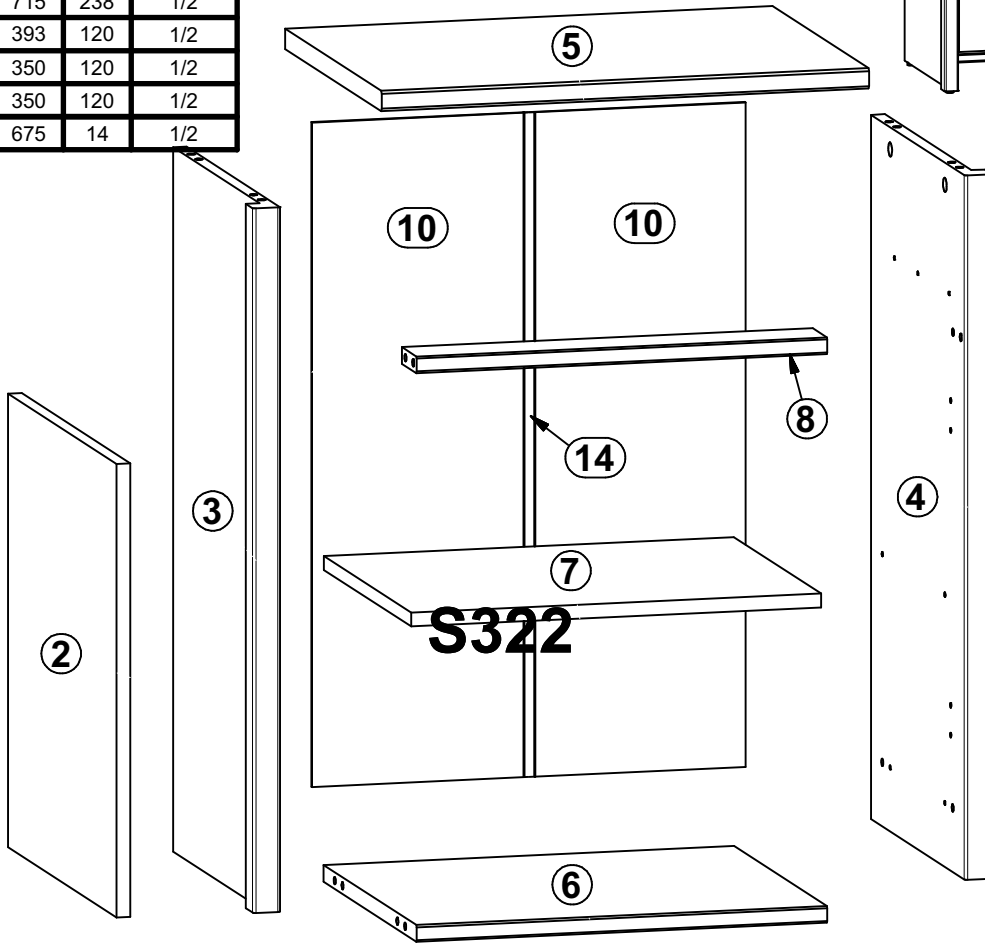
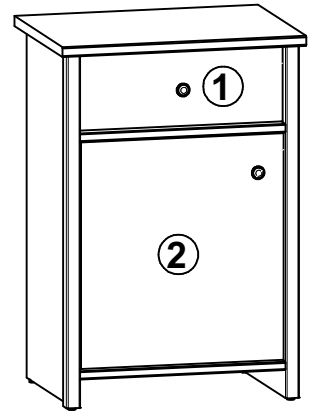
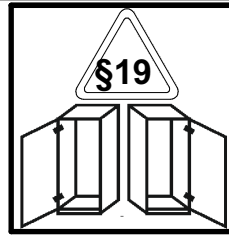


A

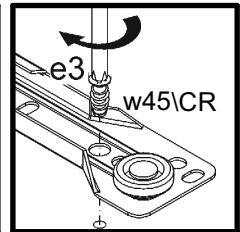
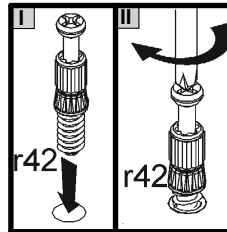
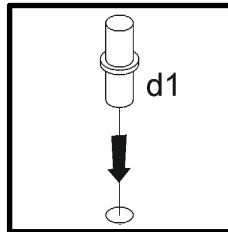
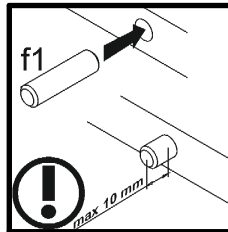
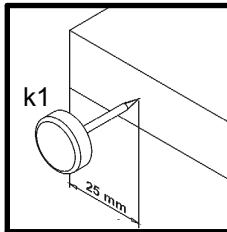
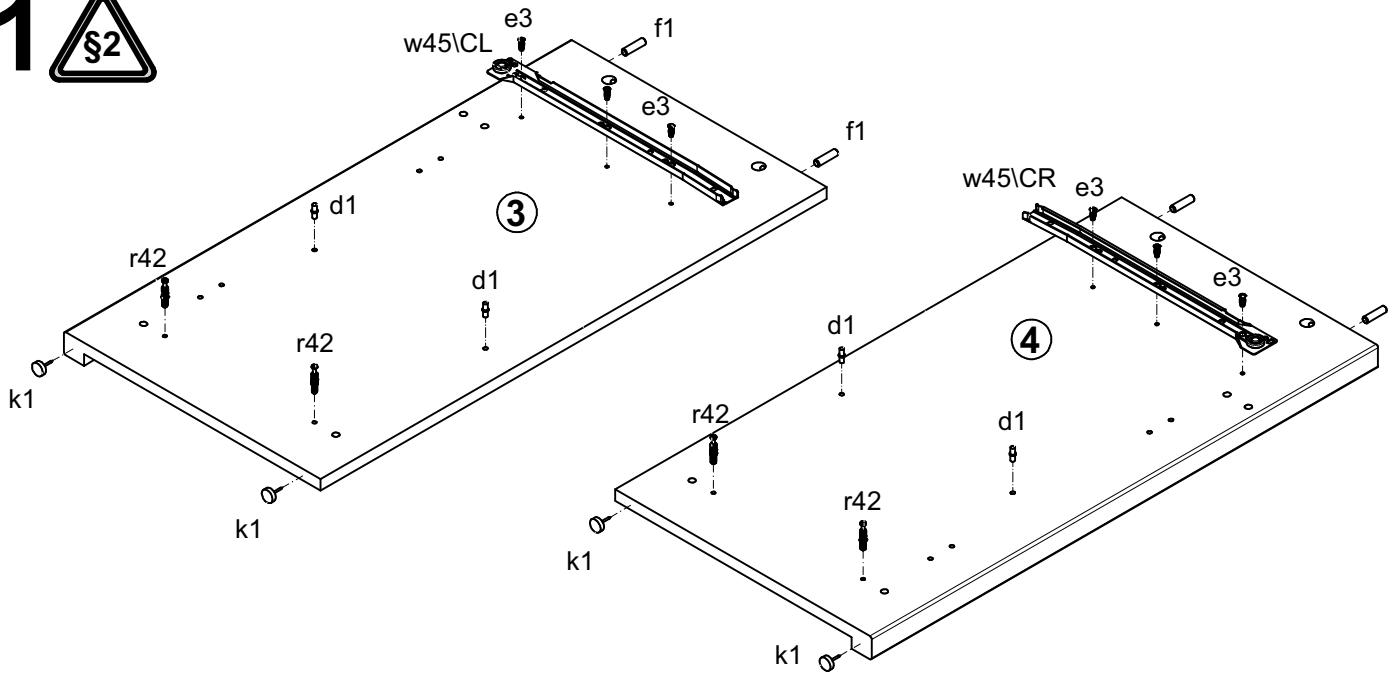
S322-KOM1D1S

A	B	C	D	
1	S322-0022	444	160	2/2
2	S322-0023	488	444	2/2
3	S322-1131	758	384	1/2
4	S322-1132	758	384	1/2
5	S322-2210	534	395	1/2
6	S322-3316	450	381	1/2
7	S322-3317	449	356	1/2
8	S322-4413	450	60	1/2
9	S322-9926	423	355	1/2
10	S322-9927	715	238	1/2
11	ZB-5501	393	120	1/2
12	BB-501	350	120	1/2
13	BB-502	350	120	1/2
14	Lh-675	675	14	1/2

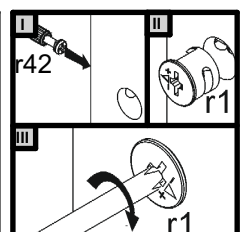
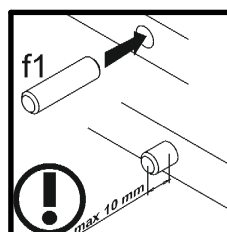
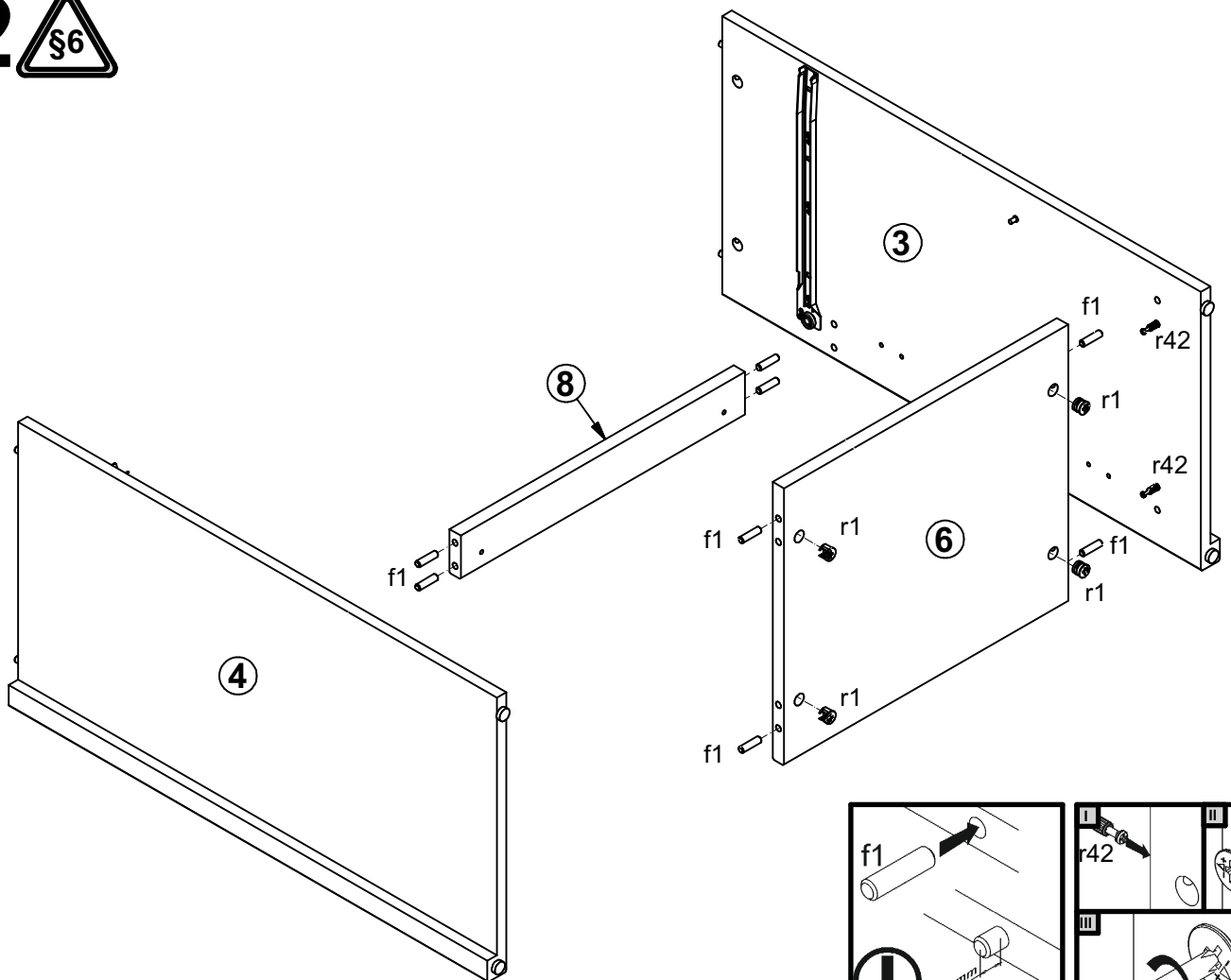


2x K16 a43	2x DS b19	2x M4 c415	4x Ø5x17 mm d1	1x Ø6,3x15 mm d4	6x Ø6x13 mm e3	4x Ø5x9 mm e19	14x Ø8x30 mm f1	4x Ø6,5x40 mm f25
2x M4x20 mm j1	4x k1	25x l1	1x n26	4x Ø3,5x16 mm p38	4x Ø3,5x15 mm p51	12x Ø15x12 mm #16 r1	12x 20/11 r42	2x Ø16 s2
1x 350 mm w45\CL	1x 350 mm w45\CR	1x 350 mm w45\DL	1x 350 mm w45\DR					

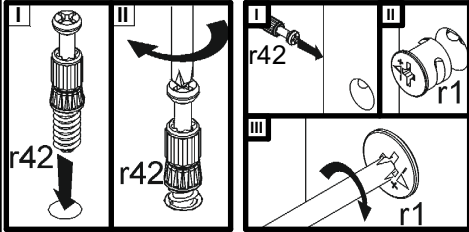
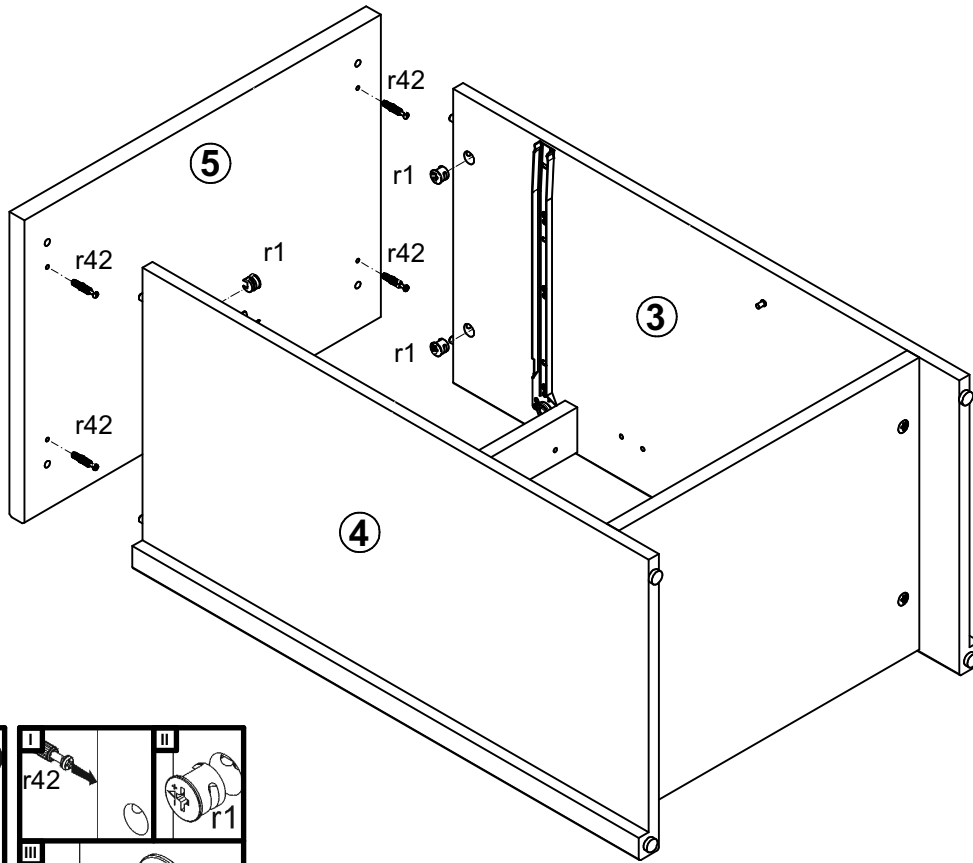
1



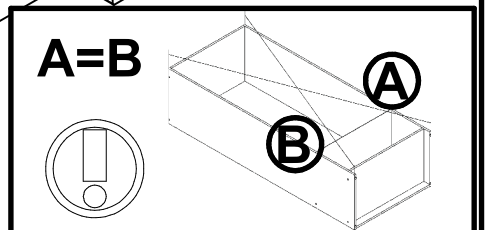
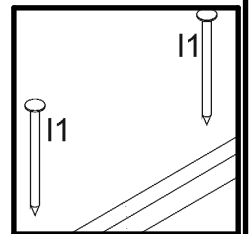
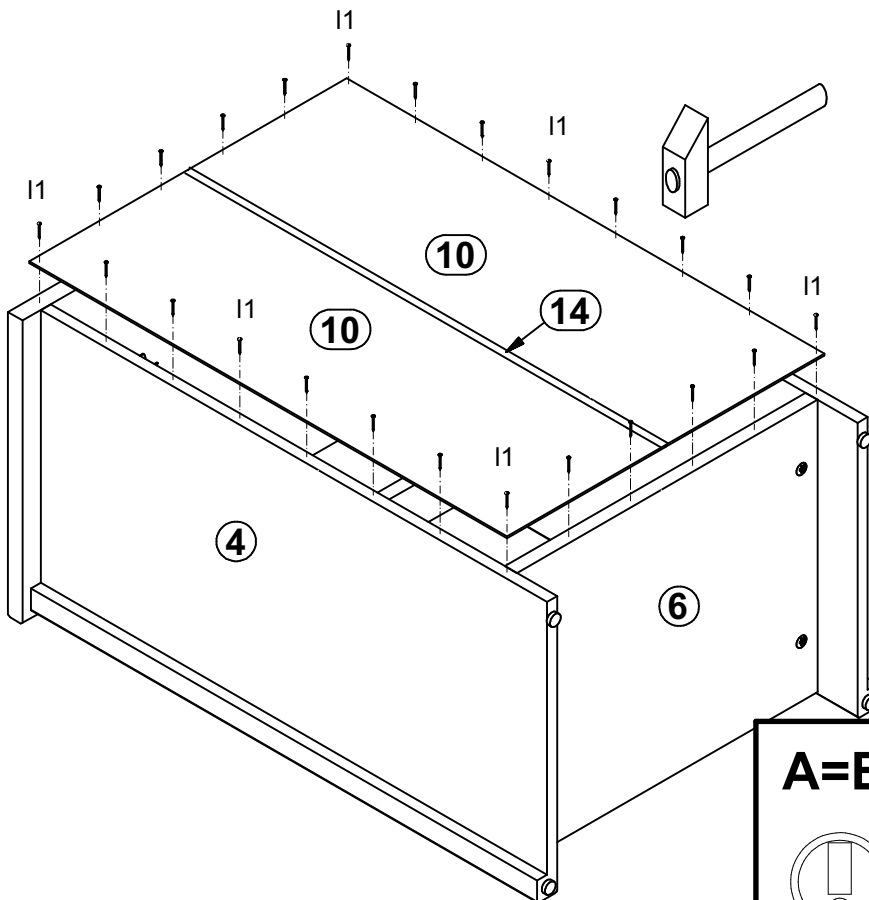
2



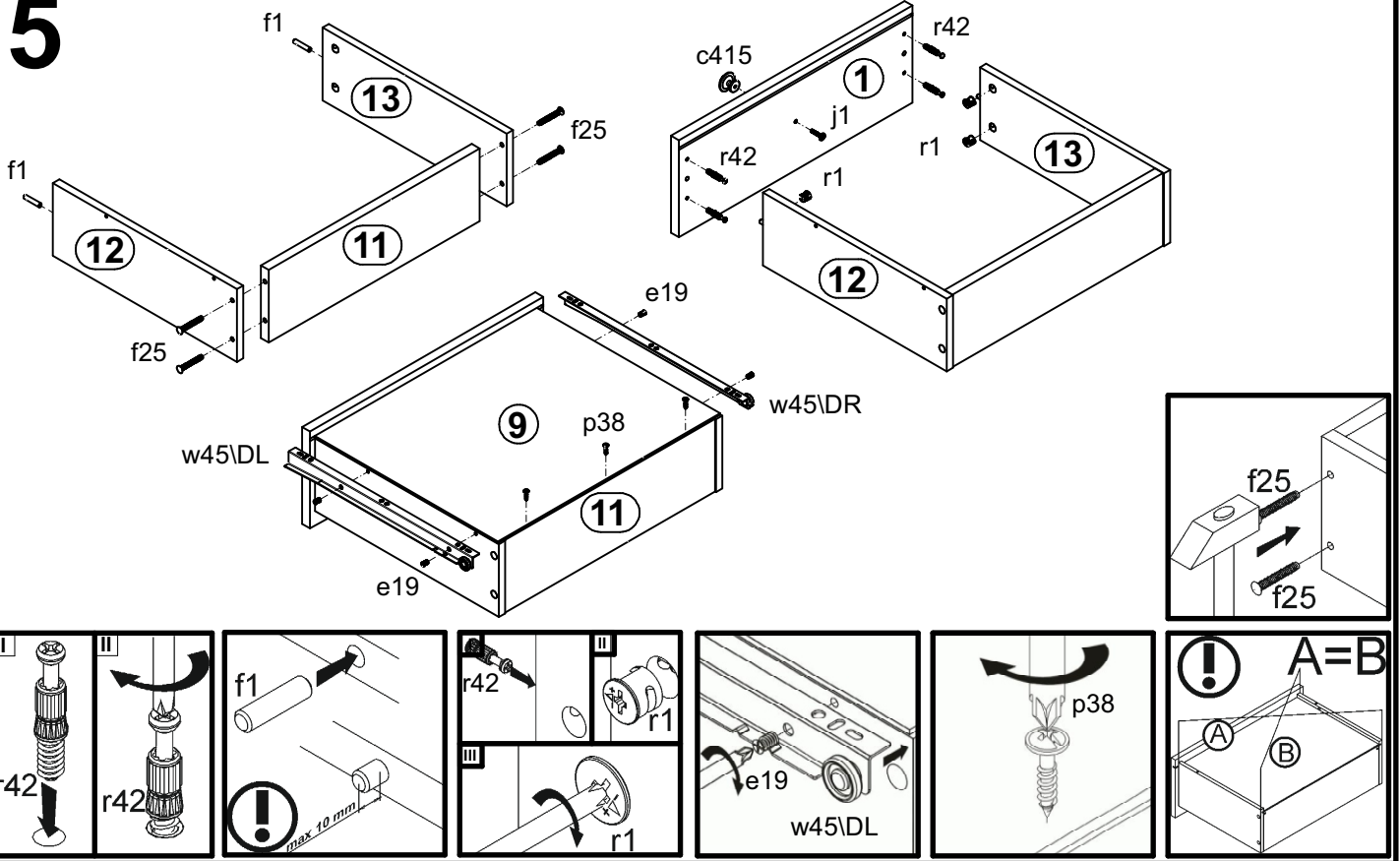
3



4



5



6

